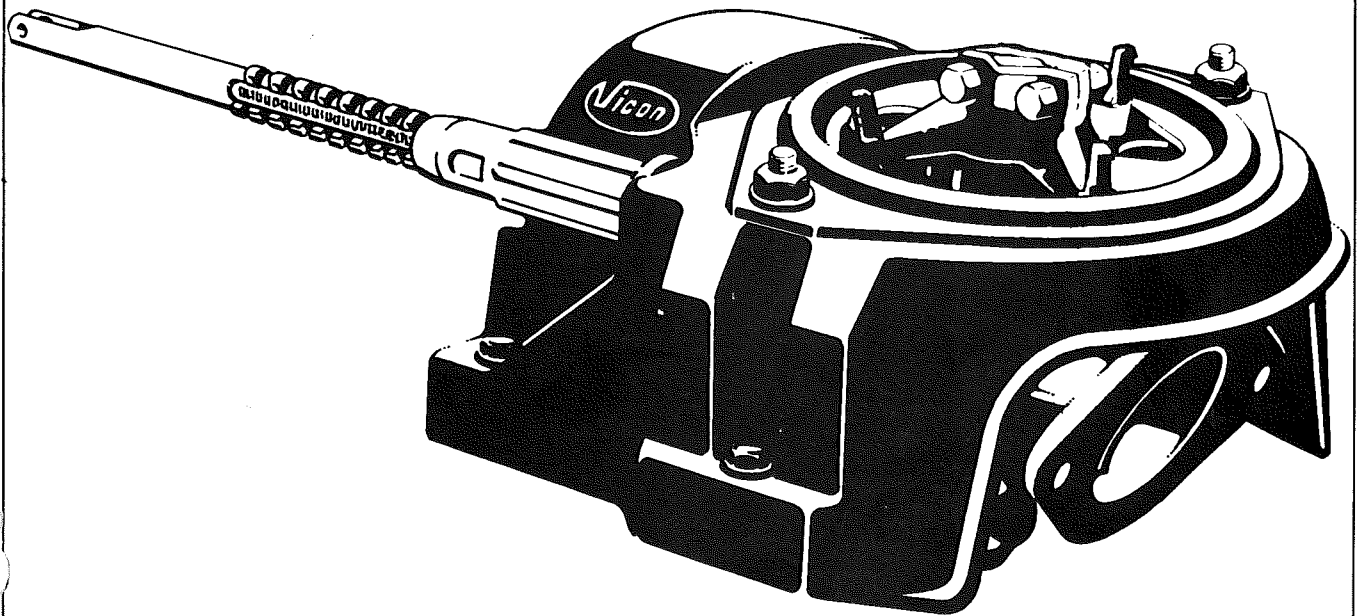


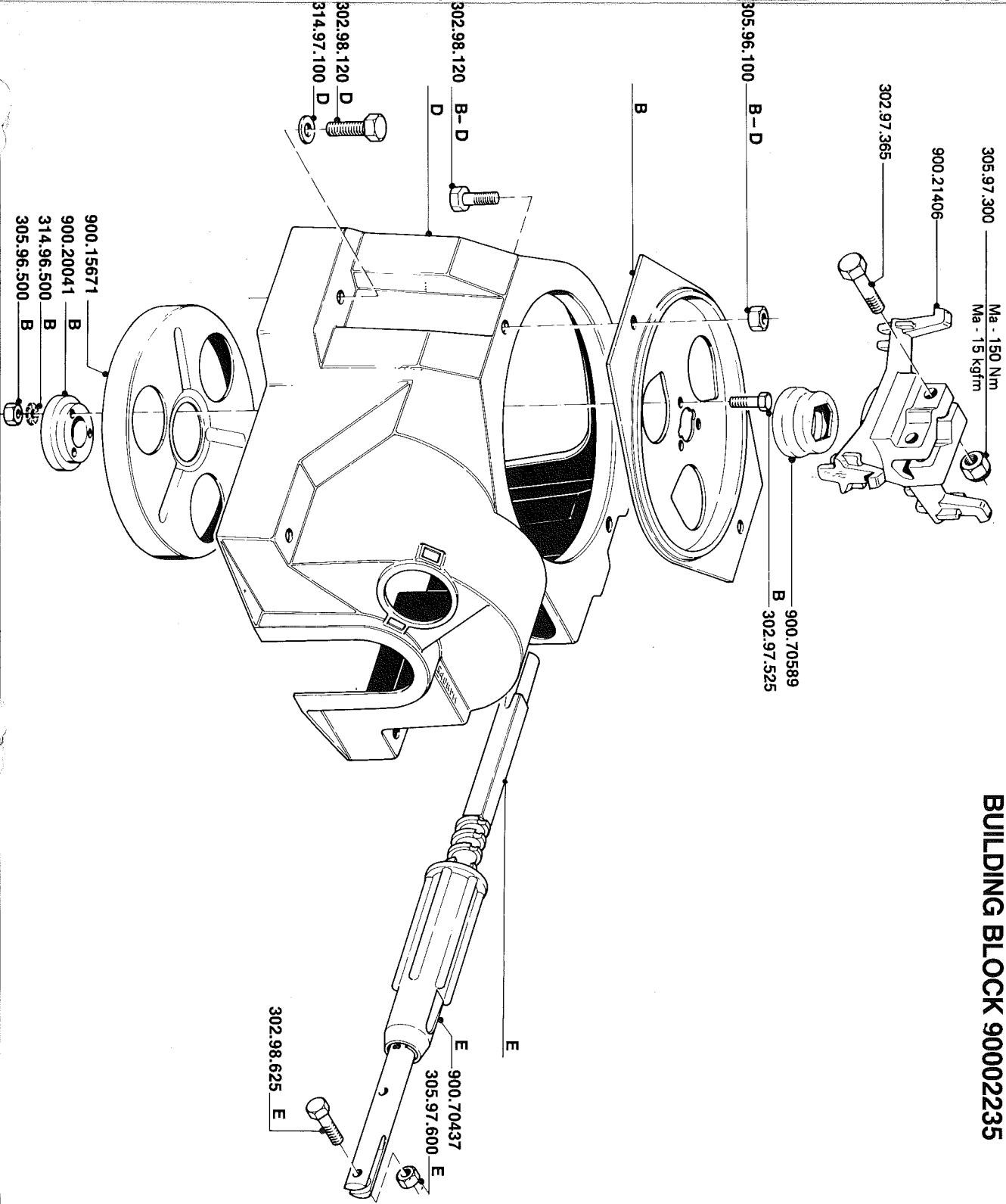


**spare parts list
vari-spreader
spreading unit**

serie 22116



BUILDING BLOCK 90002235



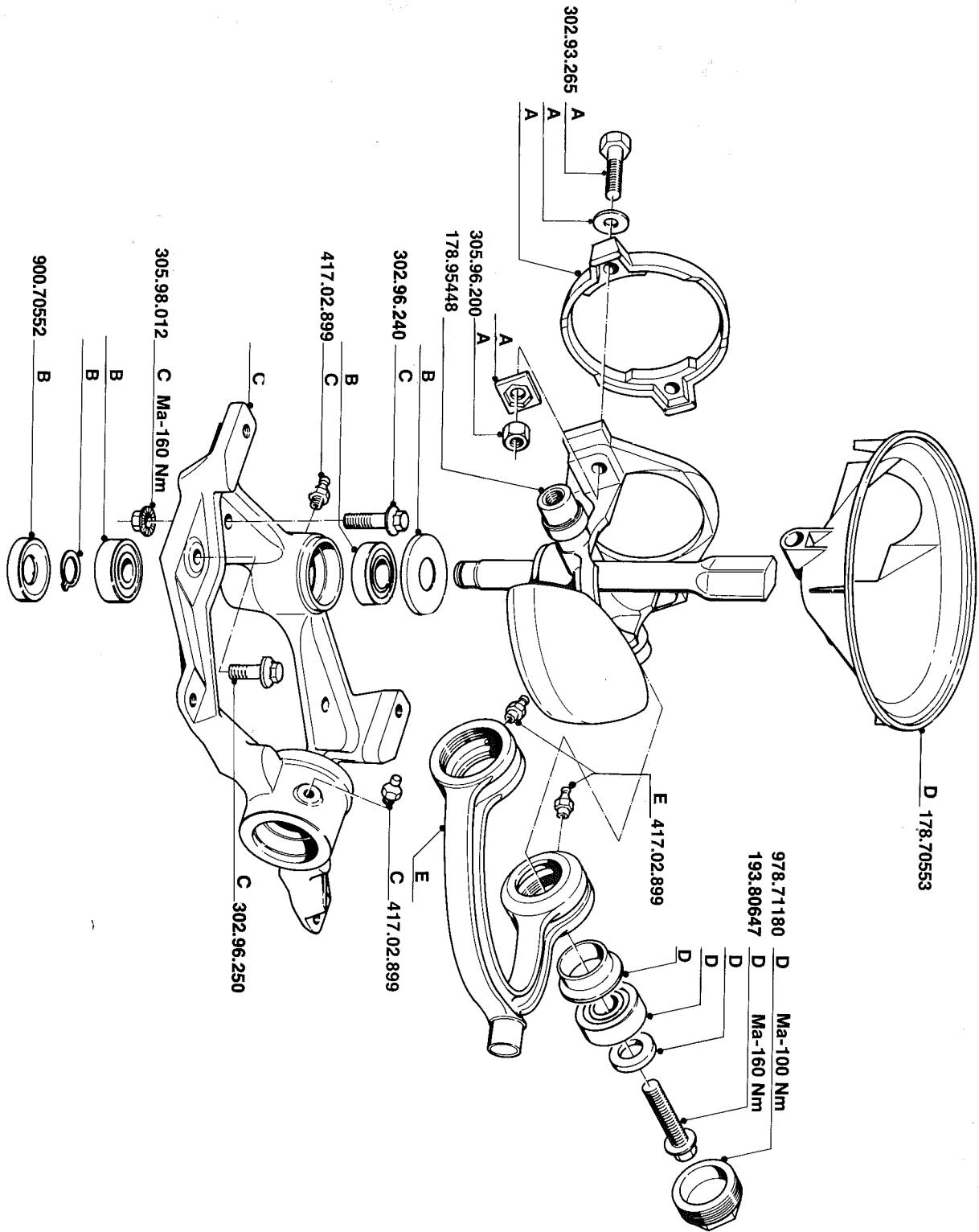
bestellnummer
ordernummer
num. a commander
Bestellnummer



B=79220016
D=79220018
E=79220019

900.02235	1	8-8-M14x65
302.97.365	2	8-8-M5x25
302.97.525	3	8-8-M10x20
302.98.120	6	8-8-M6x25
302.98.625	1	8/M10
305.96.100	2	8/M5
305.96.500	3	8/M14
305.97.300	2	8/M6
305.97.600	1	8/M6
314.96.500	3	A 5,1
314.97.100	4	10,5
900.15671	1	
900.20041	1	
900.21406	1	
900.70437	1	
900.70589	1	

Serial num. 116
 BUILDING BLOCK 90002235



bestelnummer
 order number
 num. à commander
 Bestellnummer



- A = 79220020
- B = 79220021
- C = 79220022
- D = 79220030
- E = 79220024

900.02235	1	
178.70553	1	
178.95448	1	
193.80647	2	10.9-M12x65
302.93.265	2	K100-M12x40
302.96.240	2	K100-M12x50
302.96.250	2	8/M12
305.96.200	2	K10/M12
305.98.012	4	M8x1,25
417.02.899	4	
900.70552	1	
978.71180	2	

