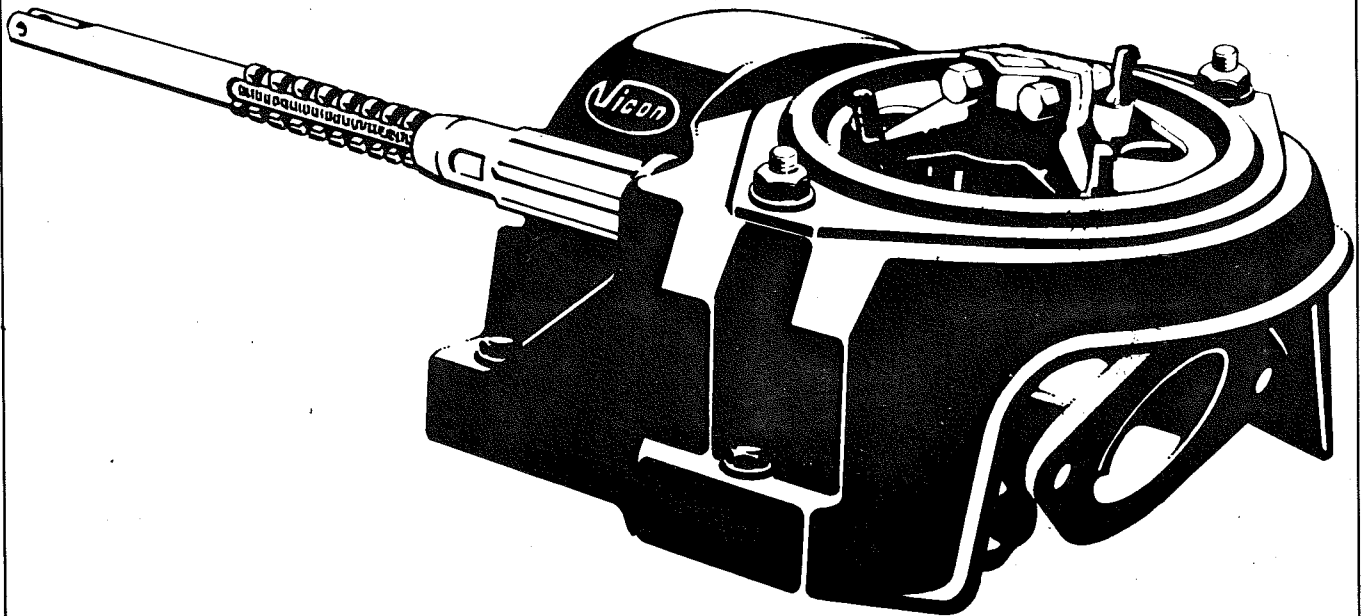




**spare parts list
vari-spreader
spreading unit**

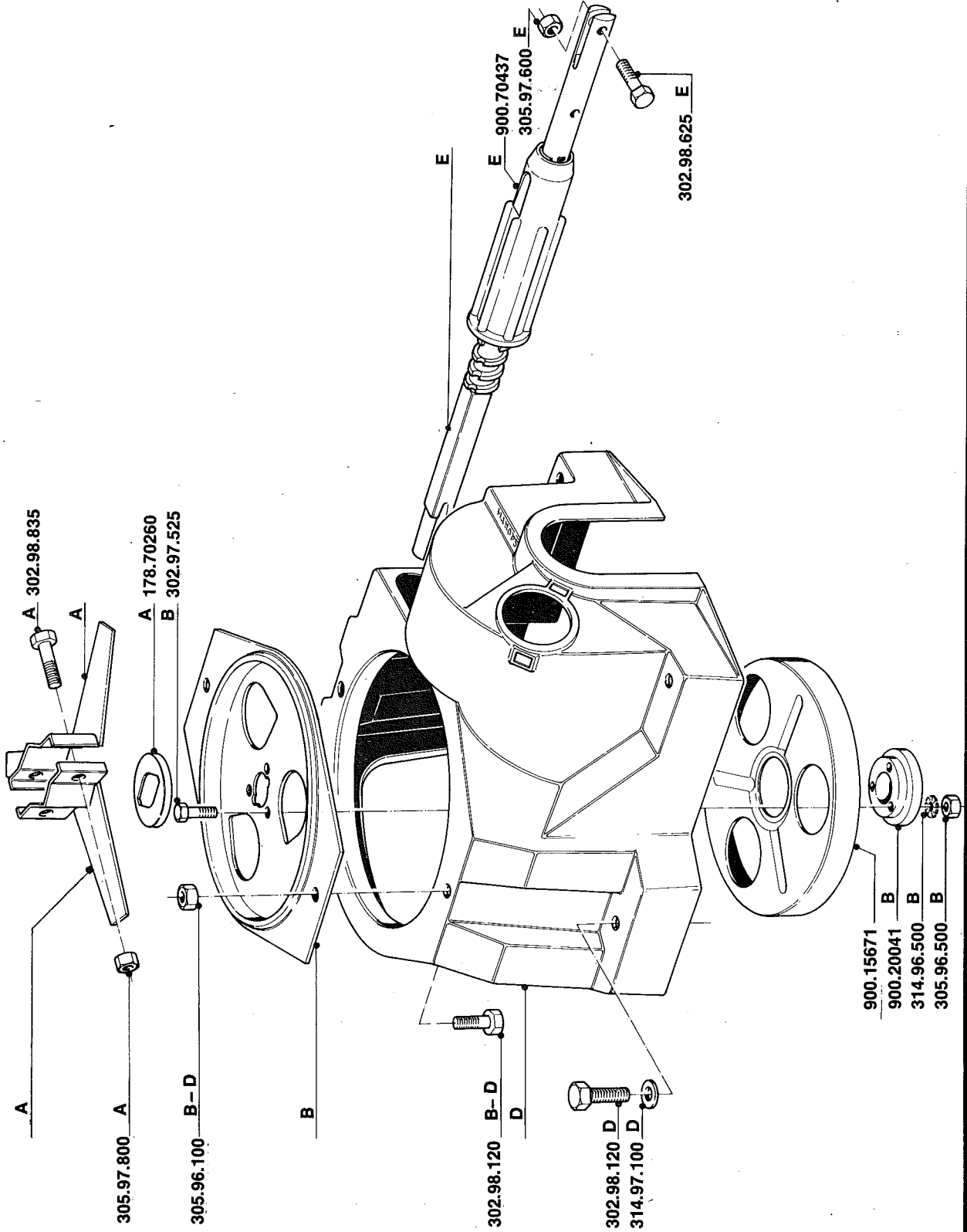
serie 22111



serial number 22111

F1

BUILDING BLOCK 90002228



SU

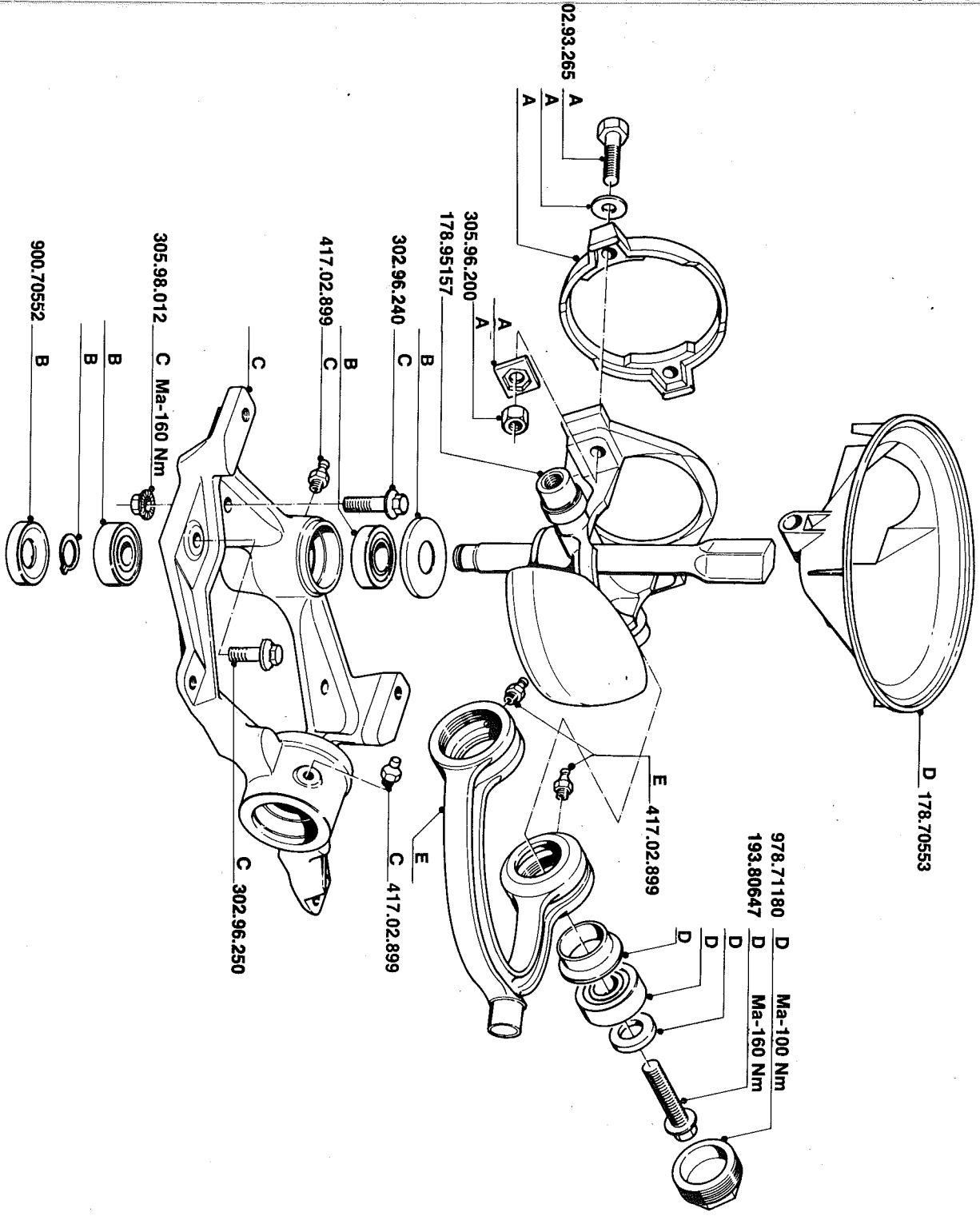
bestellnummer
 ordernummer
 num. à commander
 Bestellnummer

A=79220015
 B=79220016
 D=79220018
 E=79220019

900.02228X	1
178.70260	1
302.97.525	3
302.98.120	6
302.98.625	1
302.98.835	2
305.96.100	2
305.96.500	3
305.97.600	1
305.97.800	2
314.96.500	3
314.97.100	4
900.15671	1
900.20041	1
900.70437	1

8.8-M5x25
 8.8-M10x20
 8.8-M6x25
 8.8-M8x35
 8/M10
 8/M5
 8/M6
 8/M8
 A 5,1
 10,5





bestelnnummer
 ordernummer
 num. à commander
 Bestellnummer



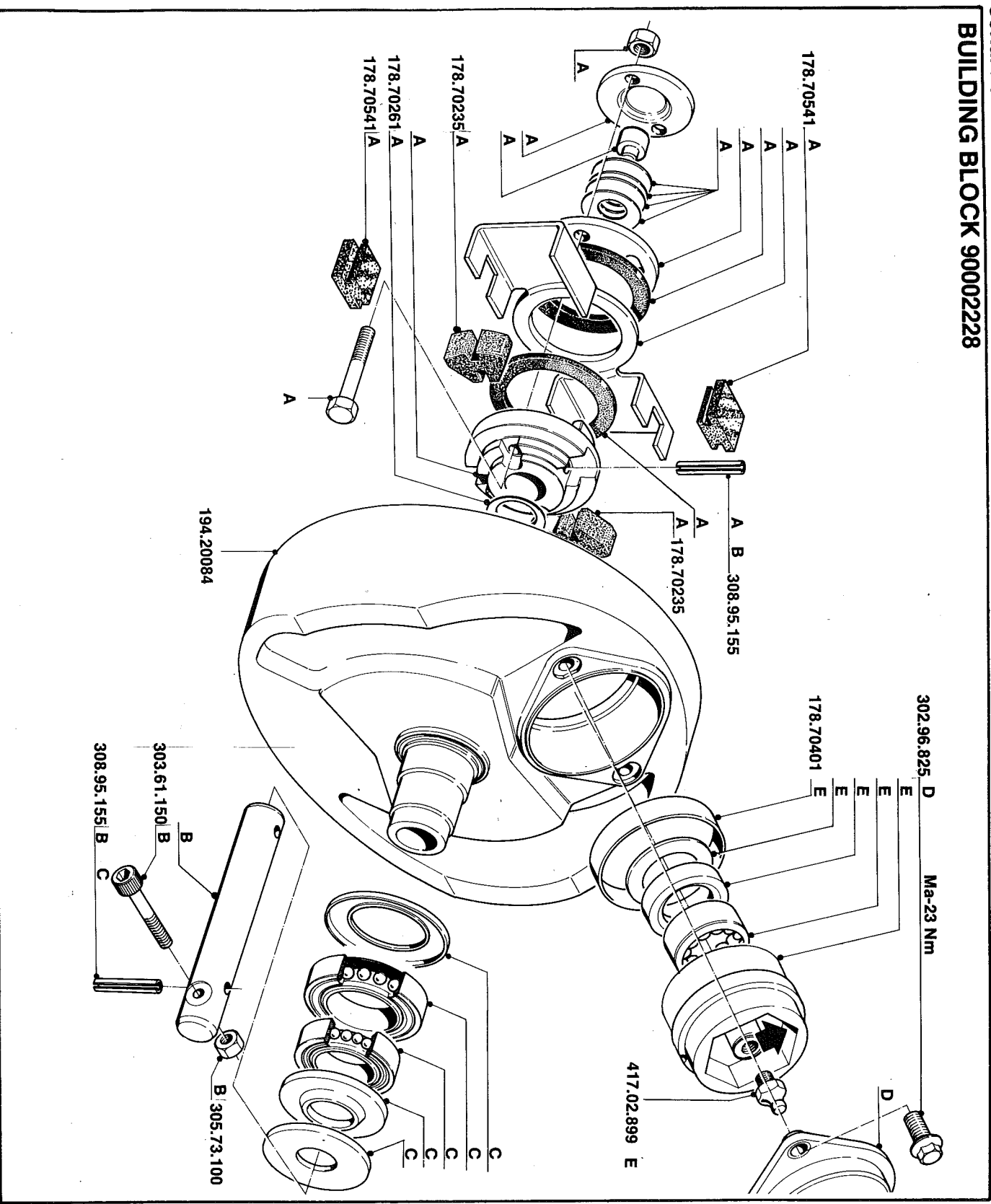
- A = 79220020
- B = 79220021
- C = 79220022
- D = 79220030
- E = 79220024

900.02228	1	
178.70553	1	
178.95157	1	
193.80647	2	
302.93.265	2	10.9-M12x65
302.96.240	2	K100-M12x40
302.96.250	2	K100-M12x50
305.96.200	2	8/M12
305.98.012	4	K10/M12
417.02.899	4	M8x1,25
900.70552	1	
978.71180	2	

serial number 22111
BUILDING BLOCK 90002228

F3

SU



bestelnnummer
 order number
 num. à commander
 Bestellnummer



A=79220025	1	K100-M8x25
B=79220026	1	10.9-M10x50
C=79220027	1	8/M10
D=79220028	1	10x55
E=79220029	4	M8x1,25
900.02228	1	
178.70235	2	
178.70261	1	
178.70401	1	
178.70541	1	
194.20084	2	
302.96.825	1	
303.61.150	1	
305.73.100	1	
308.95.155	1	
417.02.899	1	

76.001.731-4