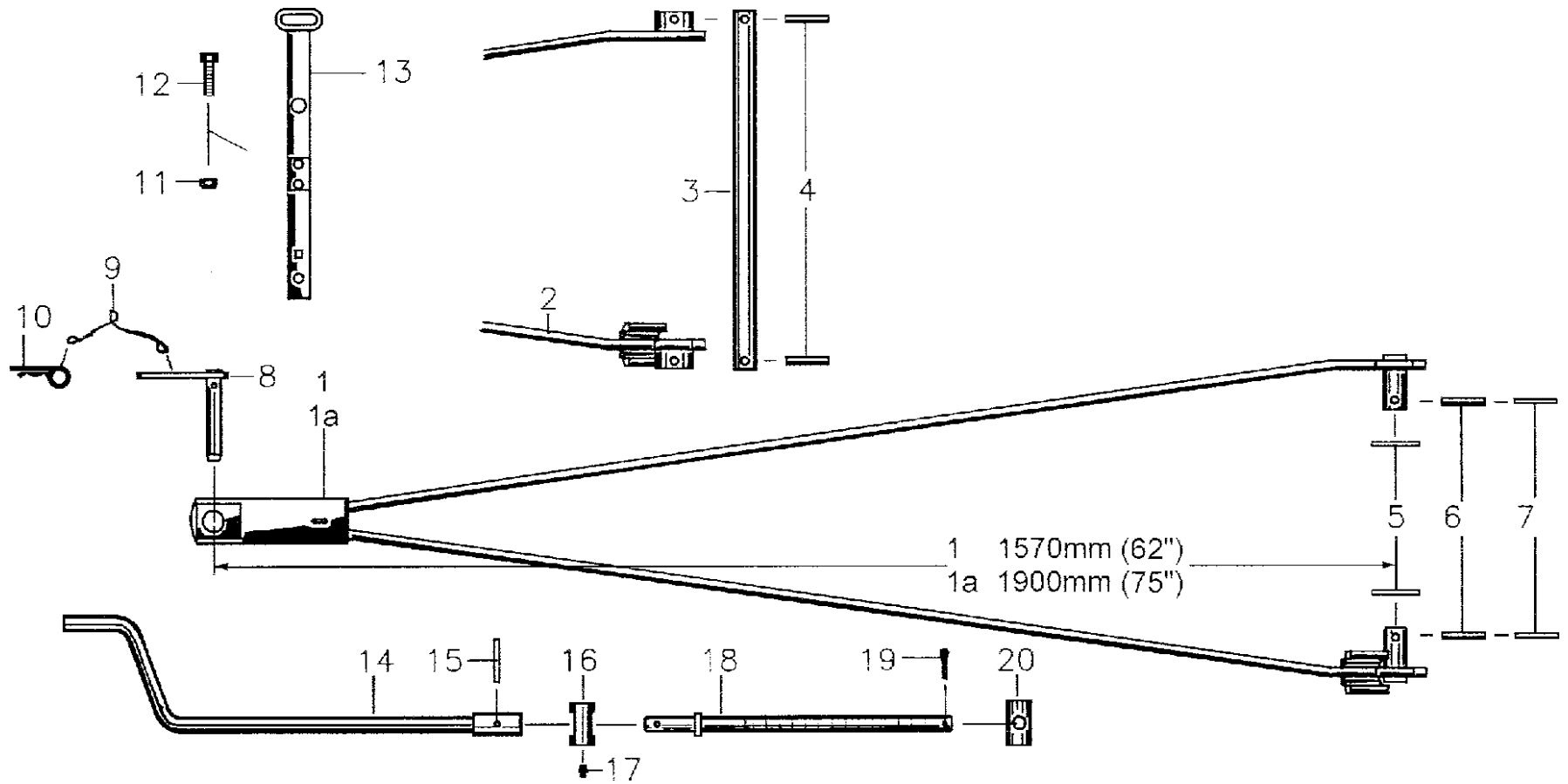


Table Of Contents

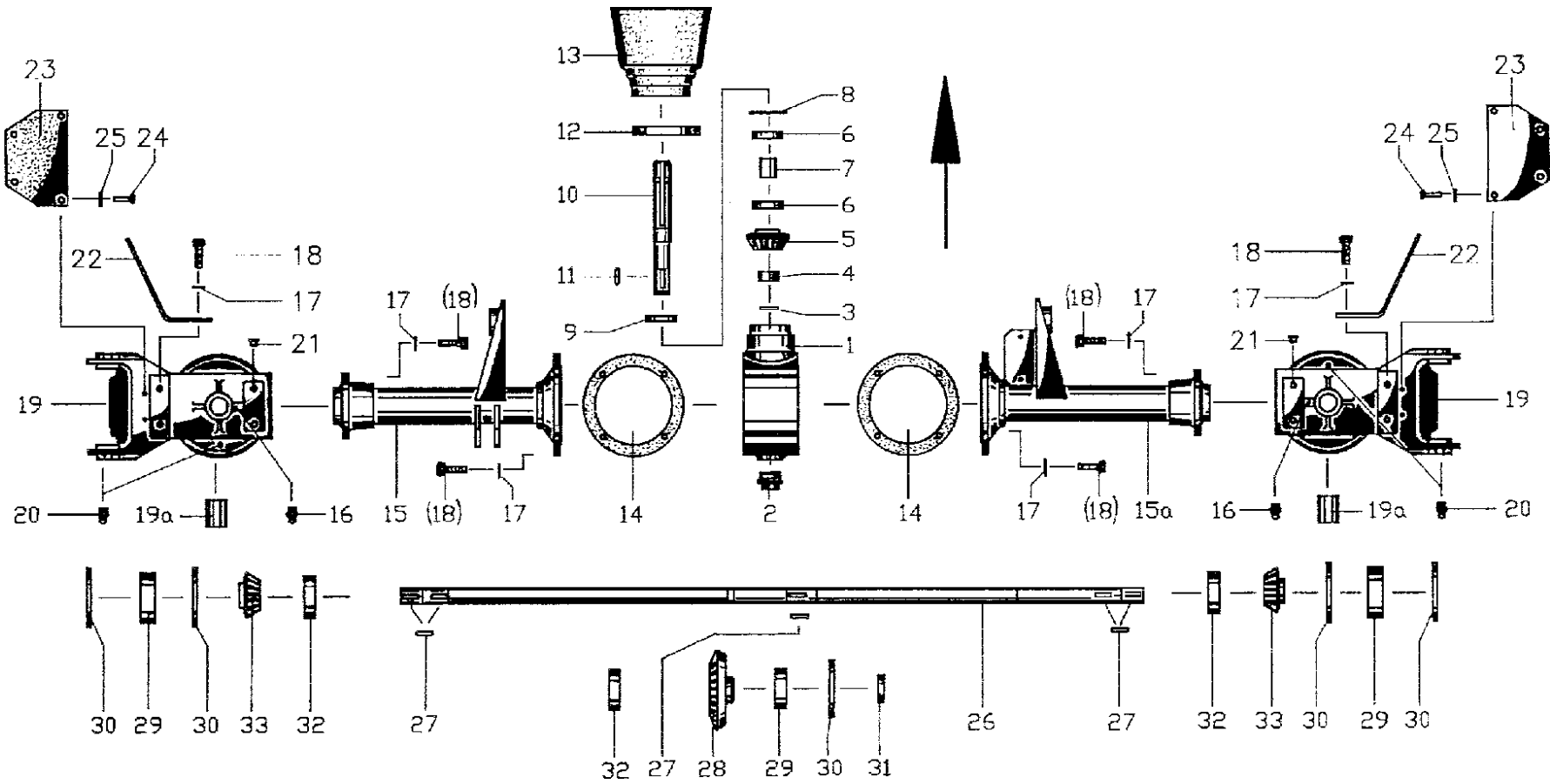
Pull Type Hitch	2
Main Frame	4
Outer Wings	6
Hydraulics	8
Rotor Assembly	10
Tires	12
Safety Frames	14
Reduction Gearbox - Tine Savers	16
PTO Shaft - Serial Number 61195 & Prior	18
PTO Shaft - Serial Number 61196 & Later	20
Decals	22
Decals	24



Pull Type Hitch

Pull Type Hitch

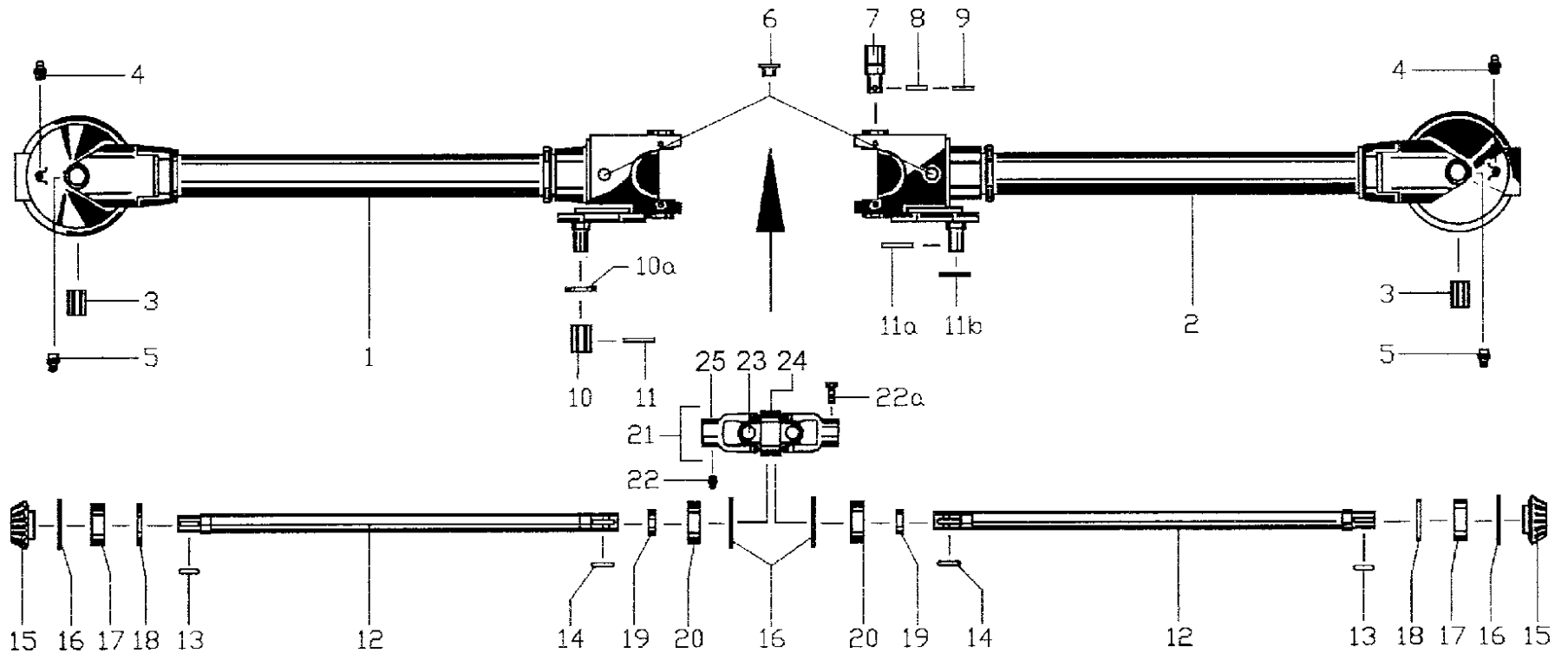
Item	Part Number	Description	Serial # Ranges	HR-531H	Notes
1	10699	Tongue	65958 & Prior 65959-	X	1570mm
1a	15871	Tongue		X	1900mm
2	10699	Tongue		X	
3	10701	Axle		X	
4	530.113	Tension Pin		2	10 X 50
5	520.222	Washer		2	31 X 56 X 4
6	530.114	Tension Pin		2	10 X 55
7	530.066	Tension Pin		2	6 X 55
8	10214	Hitch Pin		X	
9	15049	Rope		X	L=1250
10	570.229	Spring Clip		X	6
11	510.451	Hex Nut		X	M12
12	500.808	Hex Bolt		X	M12 X 45
13	15642	Bracket		X	
14	10558	Crank Handle		X	
15	530.076	Tension Pin		X	7 X 30
16	10559	Guide		X	
17	570.265	Grease Fitting		X	H1S 8 X 1
18	15607	Spindle		X	
19	530.330	Cotter Pin		X	4 X 30
20	15609	Spindle Nut		X	



Main Frame

Main Frame

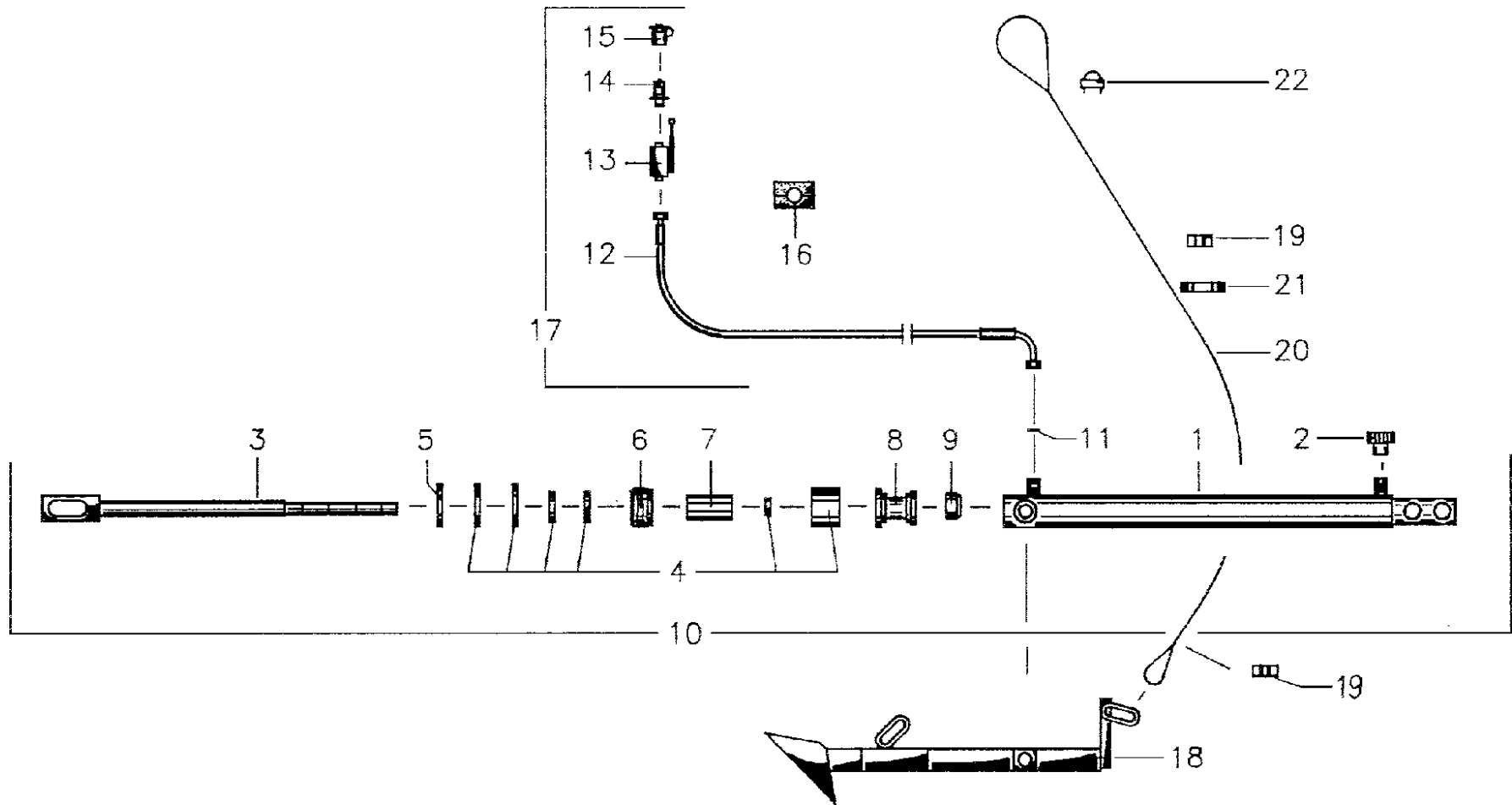
Item	Part Number	Description	Serial # Ranges	HR-531H	Notes
1	10380	Rotor Housing		X	010380 G
2	503.018	Plug		X	M42 X 2
3	531.518	Securing Ring		X	A 28 X 1.5
4	10436	Spacer		X	
5	10656	Pinion		X	Z=15
6	540.155	Grooved Ball Bearing		X	6206 2RS
7	10258	Spacer		X	
8	531.640	Securing Ring		X	J 62 X 2
9	550.060	Oil Seal		X	BAD 35/62 X 10
10	10519	Shaft		X	
11	531.329	Key		X	A 8 X 7 X 35
12	610.570	Clamp		X	
12a	503.126	Bolt		X	M5 X 25
12b	510.602	Nut		X	M5
13	610.700	Protective Cone		X	
14	551.210	Seal		2	202/156 X .5
15	15623	Flange Pipe L/H		X	
15a	15622	Flange Pipe R/H		X	
16	570.276	Grease Fitting		2	H2S 8 X 1
17	520.534	Spring Lockwasher		24	12
18	500.905	Hex Bolt		24	M12 X 30
19	15615	Housing		2	015111G
19a	541.719	Bushing		2	35/40 X 25
20	570.265	Grease Fitting		4	H1S 8 X 1
21	600.742	Plug		4	GPN 600
22	15614	Bracket		X	
23	600.512	Cover Plate		2	
24	530.742	Rivet		4	6 X 18
25	520.019	Washer		4	6.4 X 18 X 1.6
26	15621	Shaft		X	
27	531.332	Key		3	A 8 X 7 X 35
28	10655	Pinion		X	Z=30
29	540.156	Grooved Ball Bearing		3	6206 2RS
30	531.640	Securing Ring		3	J 62 X 2
31	10125	Spacer		X	
32	550.042	Oil Seal		3	BA 30/62 X 10
33	10744	Pinion		2	Z=15



Outer Wings

Outer Wings

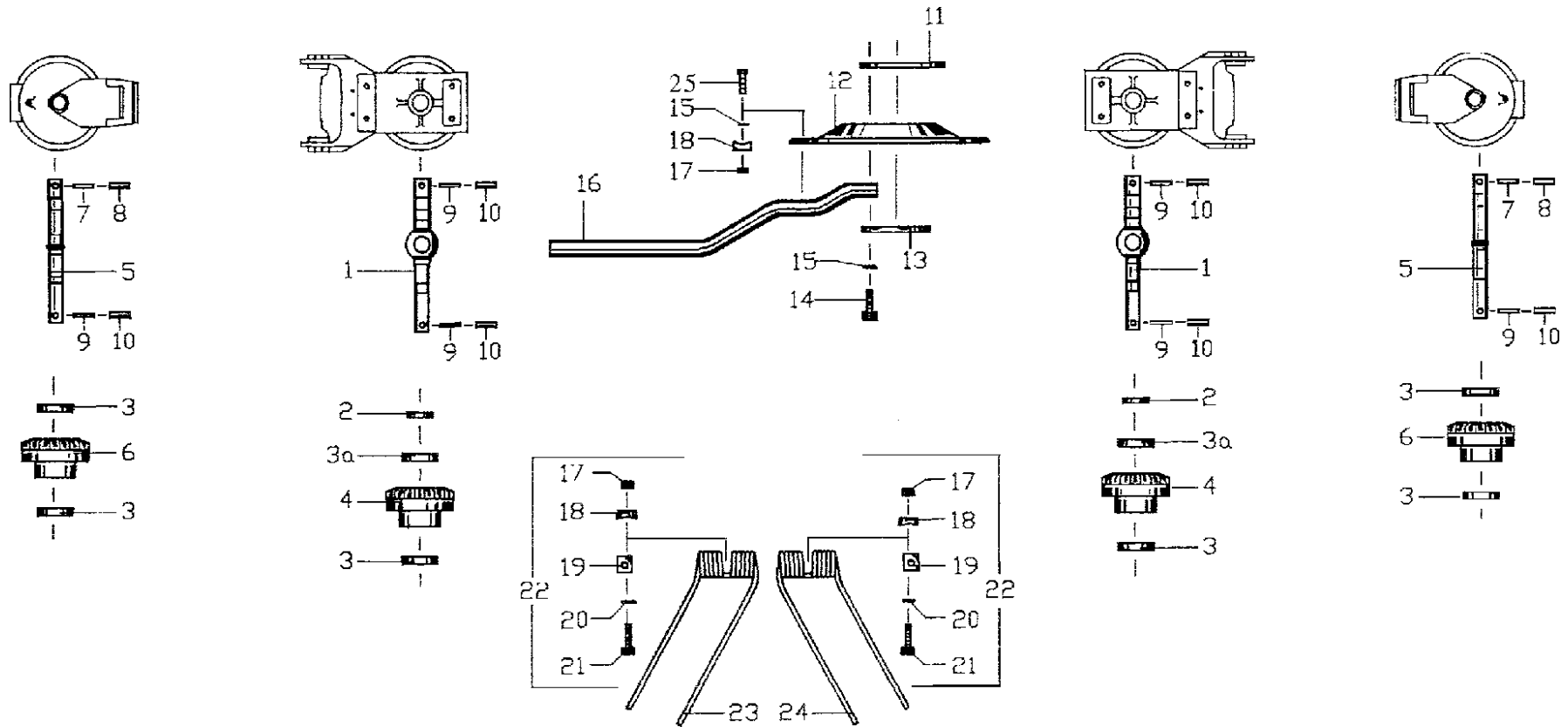
Item	Part Number	Description	Serial # Ranges	HR-531H	Notes
1	15625	Frame Tube L/H		X	
2	15624	Frame Tube R/H		X	
3	541.717	Bushing		2	30/35 X 25
4	570.265	Grease Fitting		2	H1S 8 X 1
5	570.276	Grease Fitting		2	H2S 8 X 1
6	600.515	Plug		2	GPN 300
7	15154	Pin		4	
8	530.145	Tension Pin		4	5 X 45
9	530.146	Tension Pin		4	8 X 45
10	15450	Spacer		X	
10a	15650	Washer		X	
11	530.060	Tension Pin		X	6 X 35
11a	530.063	Tension Pin		X	6 X 40
11b	520.152	Washer		X	21/40 X 2
12	15626	Shaft		2	
13	531.332	Key		2	A 8 X 7 X 35
14	531.333	Key		2	A 8 X 7 X 40
15	10656	Pinion		2	Z=15
16	531.640	Securing Ring		2	J 62 X 2
17	540.077	Grooved Ball Bearing		X	6007 2RS
18	520.472	Support Ring		2	50/62 X 3
19	10125	Spacer		2	
20	540.156	Grooved Ball Bearing		2	6206 2RS
21	610.069	Universal Joint		2	
22	570.268	Grease Fitting		2	H1M 10 X 1.5
22a	500.778	Hex Bolt		2	M10 X 20
23	610.052	Cross Kit		4	044439
24	610.070	Double Yoke		2	
25	610.011	Yoke		4	



Hydraulics

Hydraulics

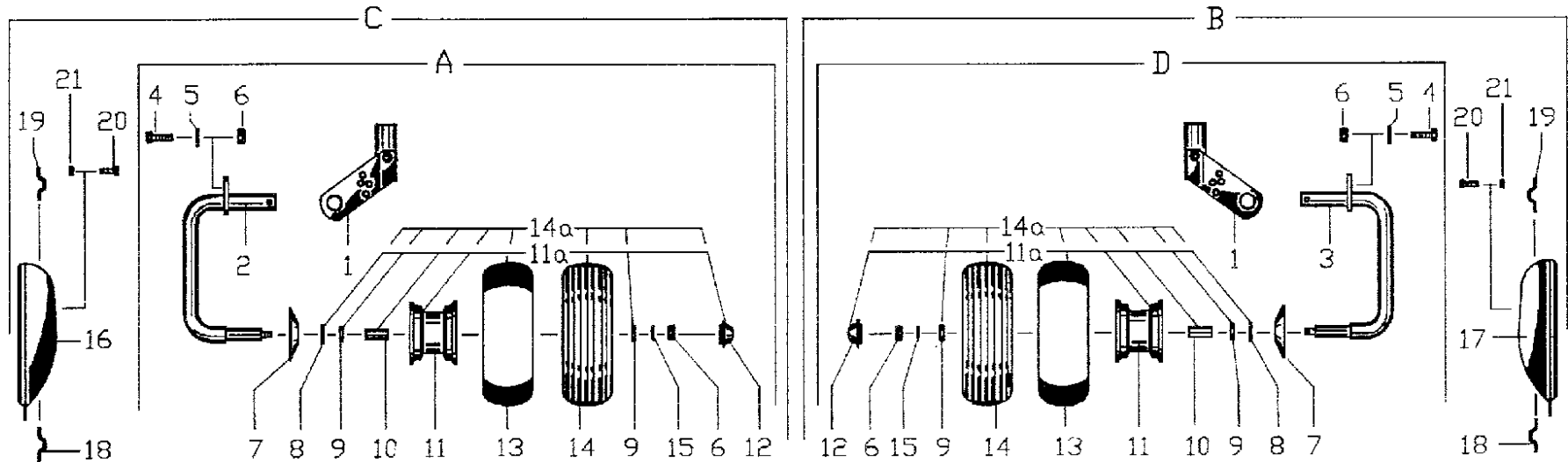
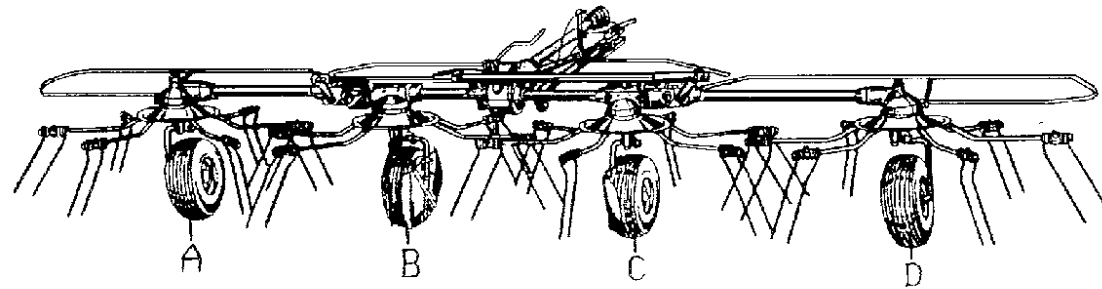
Item	Part Number	Description	Serial # Ranges	HR-531H	Notes
1	15600	Cylinder Tube		X	1564-05-02-00 1-14-92-103 RB 40 X 2.5
2	570.338	Vent		X	
3	15601	Piston Rod		X	
4	580.471	Seal Kit		X	
5	531.802	Spring Ring		X	
6	15602	Guide		X	M18
7	15604	Distance Tube		X	
8	15603	Piston		X	
9	510.522	Hex Nut		X	
10	15451	Hydraulic Cylinder		X	
11	15322	Restrictor		X	1.0
12	580.649	Hydraulic Tube		X	L=3000
13	580.561	Valve		X	DN 10 CEL 12 L/G 3/8
14	580.022	Connector		X	DN 10 / 3/8" AG
15	580.020	Dust Cap		X	DN 10
16	570.629	Clamp		X	112/12PP-LI
17	580.575	Hydraulic Tube		X	
18	15627	Ratchet		X	
19	570.609	Clamp		2	15
20	15468	Rope		X	4600
21	520.063	Washer		X	11 X 34 X 3
22	570.590	Cable Clamp		X	1/4



Rotor Assembly

Rotor Assembly

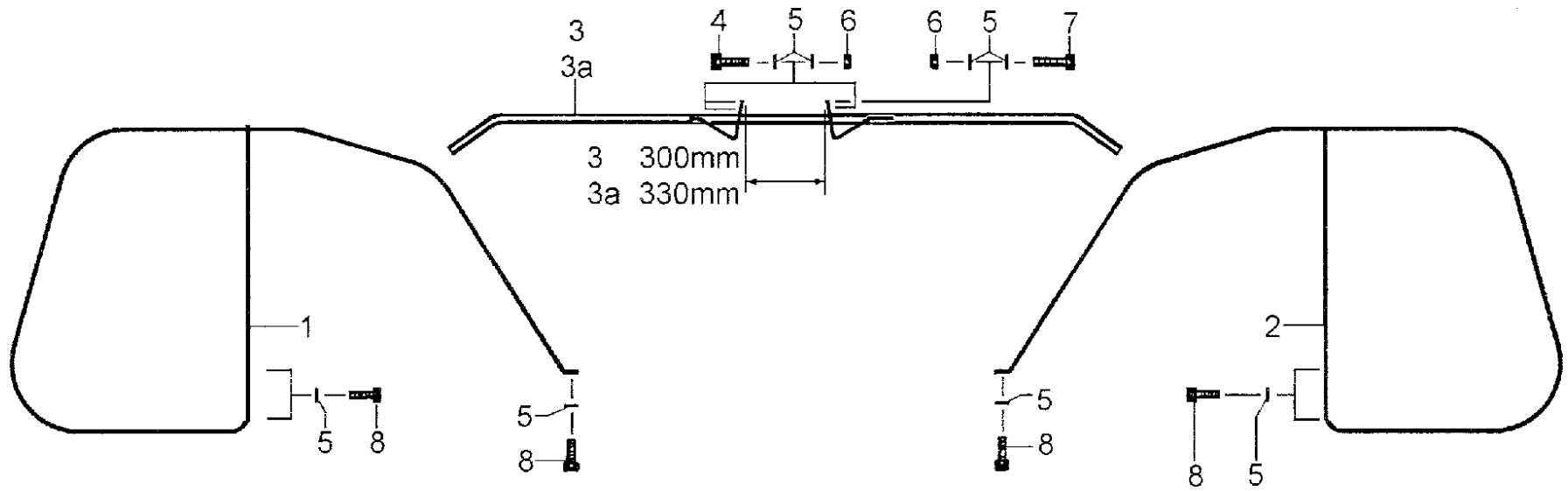
Item	Part Number	Description	Serial # Ranges	HR-531H	Notes
1	15620	Axle		2	
2	15116	Compression Ring		2	
3	540.073	Grooved Ball Bearing		6	6006 2RS
3a	540.077	Grooved Ball Bearing		2	6007 2RS
4	15476	Pinion		2	Z=30
5	10640	Axle		2	
6	15469	Pinion		2	Z=30
7	530.140	Tension Pin		2	12 X 45
8	530.080	Tension Pin		2	7 X 45
9	530.132	Tension Pin		6	12 X 55
10	530.082	Tension Pin		6	7 X 55
11	10482	Cover		4	
12	13006	Plate		4	
13	15465	Clamp Segment		4	015465G
14	500.354	Hex Bolt		24	M12 X 60
15	520.085	Washer		48	13 X 25 X 3
16	10484	Tine Arm		24	
17	510.517	Hex Nut		24	M12
18	10205	Chock		48	010205G
19	10168	Clamp		X	
20	520.094	Washer		24	14 X 35 X 4
21	500.419	Hex Bolt		24	M12 X 75
22	10299	Bolt Assembly for Tine		24	
23	600.039	Tine L/H		12	Yellow
24	600.038	Tine R/H		12	Red
25	500.489	Hex Bolt		24	M12 X 65



Tires

Tires

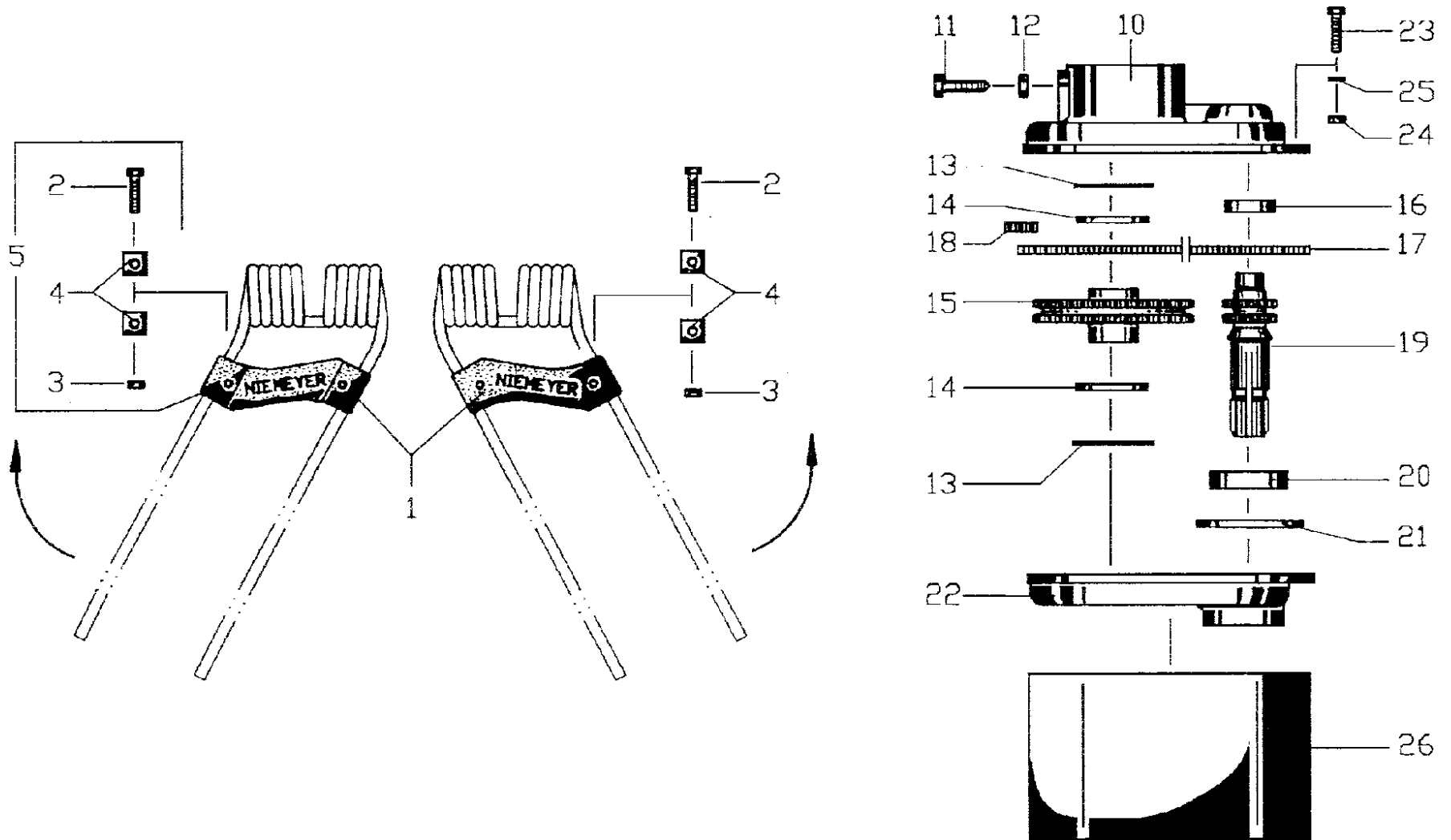
Item	Part Number	Description	Serial # Ranges	HR-531H	Notes
1	15484	Wheel Bracket		4	
2	15287	Wheel Fork L/H		2	
3	15286	Wheel Fork R/H		2	
4	500.788	Hex Bolt		4	M12 X 35
5	520.083	Washer		4	13 X 24 X 2.5
6	510.517	Hex Nut		8	M12
7	15214	Cover		4	
8	551.176	Seal		4	942070005
9	540.150	Grooved Ball Bearing		4	6205 2Z
10	600.517	Spacer		4	
11	591.027	Rim		4	5.5A X 8
11a	591.026	Rim		4	5.5A X 8
12	600.518	Cap		4	
13	591.218	Tube		4	16/6.50-8
14	591.120	Tire		4	16/6.50 X 8/4 T-510
14a	591.353	Wheel Complete		4	16 X 6.5/8
15	520.094	Washer		4	14/35 X 4
16	15369	Guard		X	
17	15370	Guard		X	
18	15109	Clamp		4	
19	15108	Clamp		4	
20	500.753	Hex Bolt		8	M8 X 35
21	510.509	Hex Nut		8	M8



Safety Frames

Safety Frames

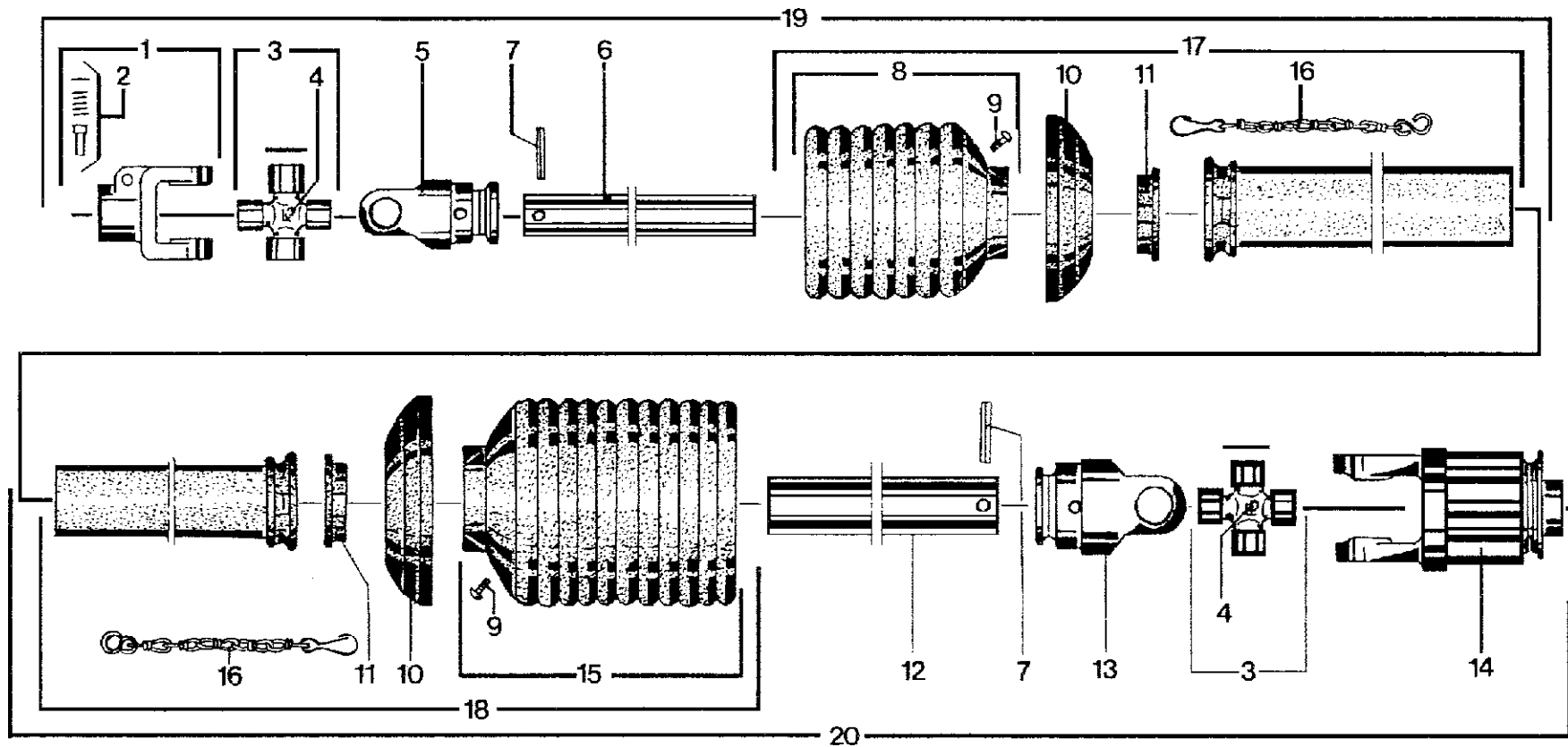
Item	Part Number	Description	Serial # Ranges	HR-531H	Notes
1	10491	Safety Frame L/H		X	
2	10492	Safety Frame R/H		X	
3	15112	Guard	65958 & Prior	X	300mm
3a	15872	Guard	65959-	X	330mm
4	500.490	Hex Bolt		X	M12 X 70
5	520.534	Spring Lockwasher		10	12
6	510.517	Hex Nut		4	M12
7	500.808	Hex Bolt		3	M12 X 45
8	500.913	Hex Bolt		6	M12 X 35



Reduction Gearbox - Tine Savers

Reduction Gearbox - Tine Savers

Item	Part Number	Description	Serial # Ranges	HR-531H	Notes
1	600.416	Tine Safety Bracket		24	
2	500.431	Hex Bolt		48	M6 X 30
3	510.505	Hex Nut		48	M6
4	10385	Clamp Washer		96	
5	10370	Safety Bracket		24	
10	15336	Housing		X	015336G
11	500.791	Hex Bolt		X	M12 X 40
12	510.228	Hex Nut		X	M12
13	550.903	Felt Ring		X	45/57 X 5
14	520.470	Support Ring		X	45/55 X 3
15	10752	Sprocket		X	010752GZ=36
16	540.067	Grooved Ball Bearing		X	6005 2RS
17	593.003	Roller Chain		X	
18	593.004	Connecting Link		X	
19	10753	Spline Shaft		X	
20	540.076	Grooved Ball Bearing		X	6007 2RS
21	531.640	Securing Ring		X	J 62 X 2
22	10751	Housing		X	010751G
23	500.744	Hex Bolt		4	M8 X 25
23a	500.745	Hex Bolt		2	M8 X 30
24	510.222	Hex Nut		6	M8
25	520.532	Spring Lock Washer		6	8
26	10755	Guard		X	

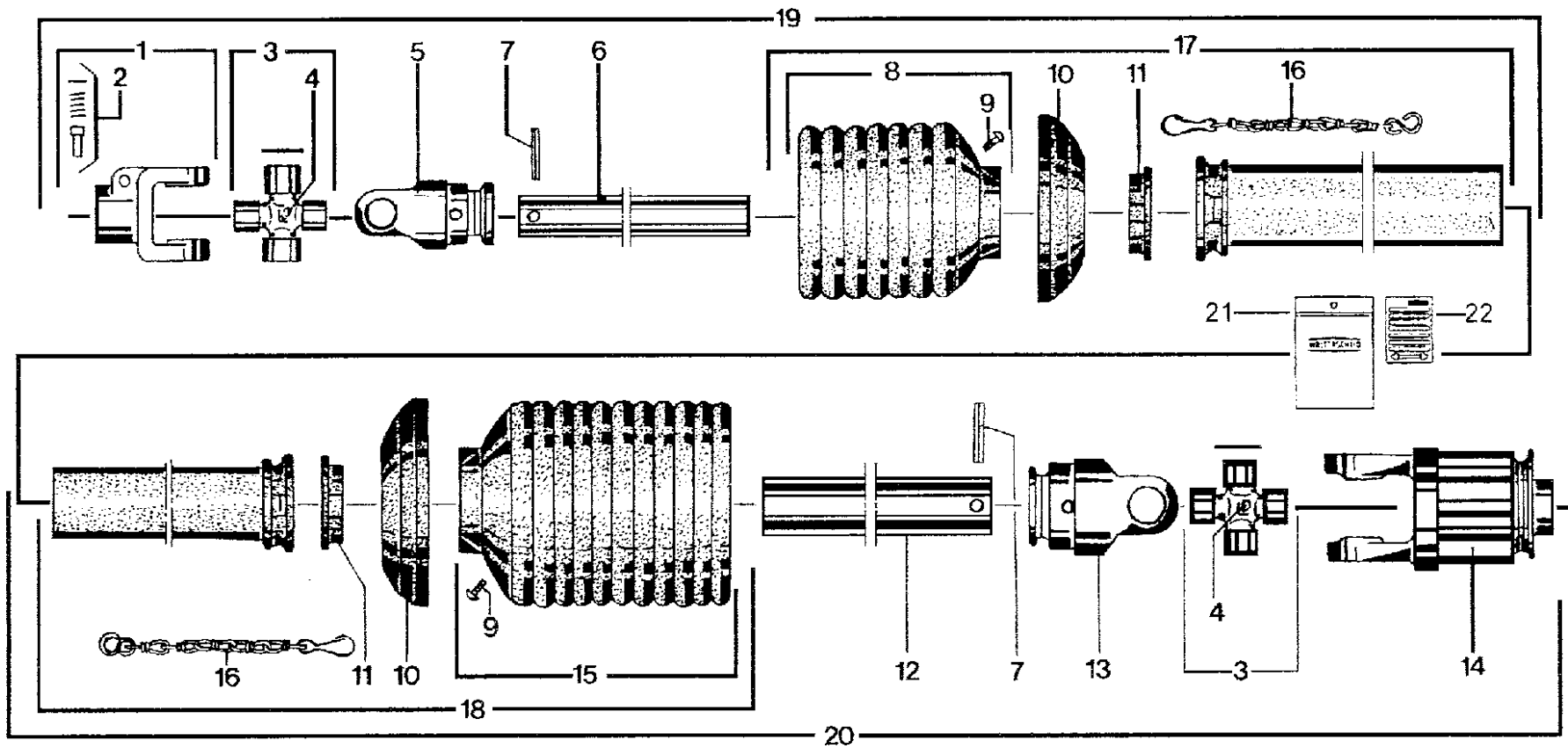


21

PTO Shaft - Serial Number 61195 & Prior

PTO Shaft - Serial Number 61195 & Prior

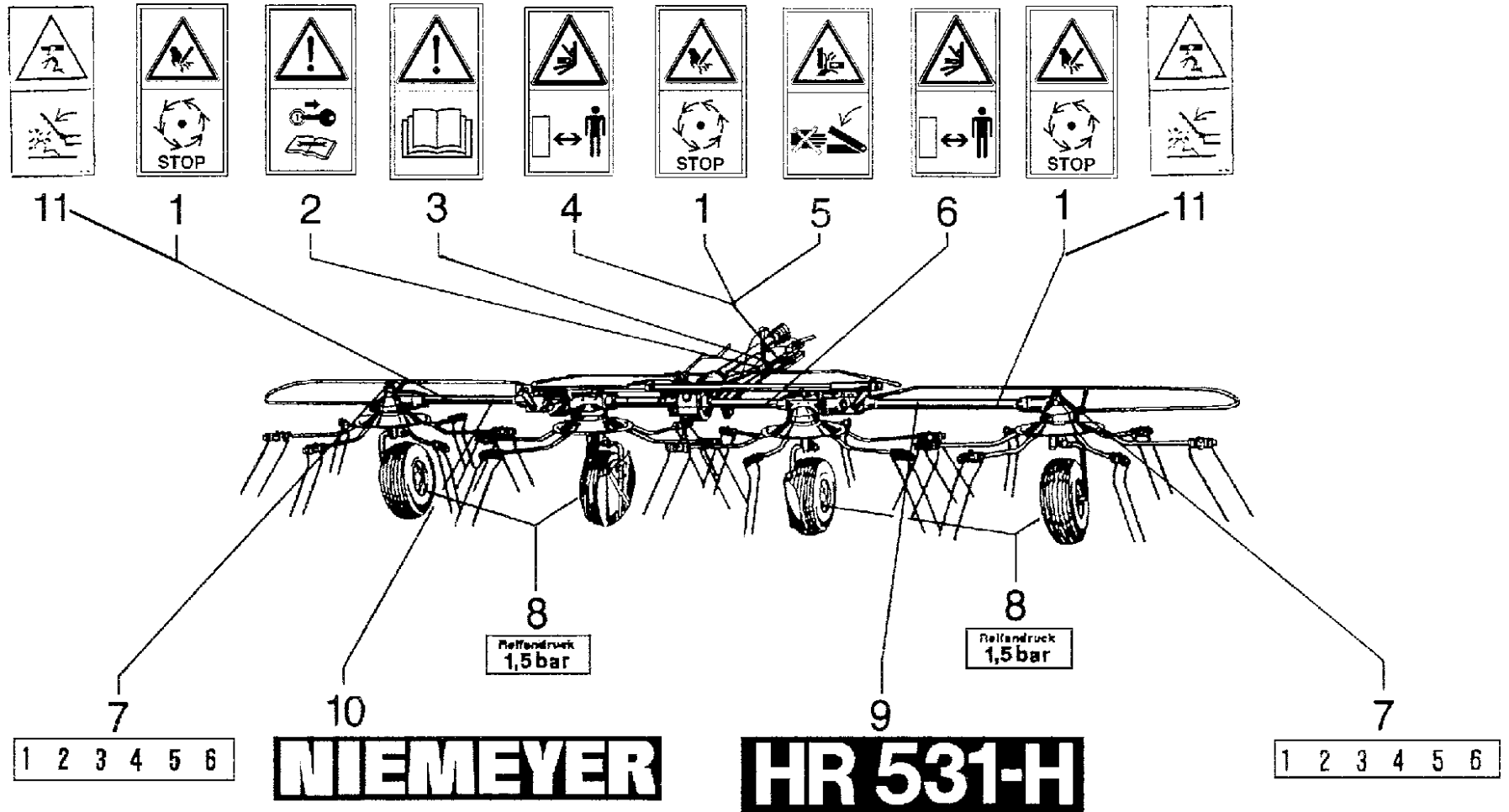
Item	Part Number	Description	Serial # Ranges	HR-531H	Notes
1	610.003	Tractor End Yoke		X	041049
2	610.043	Push Pin		X	339107
3	610.052	Cross Kit		2	044439
4	610.047	Grease Fitting		2	084099
5	610.018	Grooved Yoke		X	041065
6	610.217	Profile Tube		X	048203
7	530.116	Tension Pin		2	10 X 65
8	610.927	Protective Cone		X	365347
9	610.046	Screw		2	365305
10	610.692	Support Collar		2	359471
11	610.681	Sliding Ring		2	087279
12	610.233	Profile Tube		X	081873
13	610.025	Grooved Yoke		X	041068
14	610.106	Ratchet Clutch		X	353629
15	610.946	Protective Cone		X	365351
16	610.566	Stop Chain		2	044321
17	610.964	Guard Section		X	197043
18	610.981	Guard Section		X	188408
19	610.482	PTO Shaft Section		X	362298
20	610.483	PTO Shaft Section		X	104516
21	790.164	PTO Shaft Complete		X	356690



PTO Shaft - Serial Number 61196 & Later

PTO Shaft - Serial Number 61196 & Later

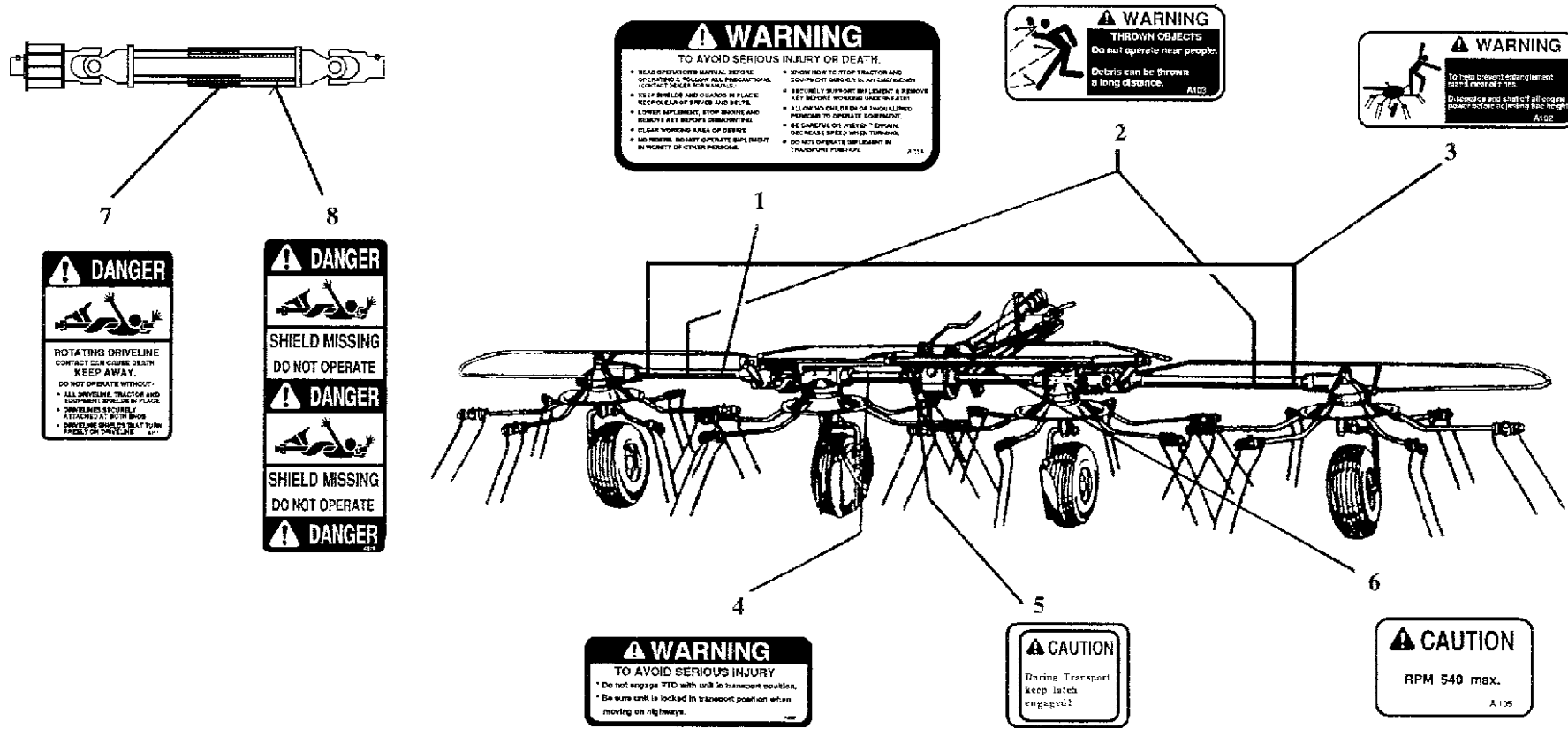
Item	Part Number	Description	Serial # Ranges	HR-531H	Notes
1	610.003	Tractor End Yoke		X	041049
2	610.043	Push Pin		X	339107
3	610.052	Cross Kit		2	044439
4	610.047	Grease Fitting		2	084099
5	610.018	Grooved Yoke		X	041065
6	610.341	Profile Tube		X	058738
7	530.116	Tension Pin		2	10 X 65
8	610.927	Protective Cone		X	365347
9	610.046	Screw		2	365305
10	610.692	Support Collar		2	359471
11	610.681	Sliding Ring		2	087279
12	610.348	Profile Tube		X	324779
13	610.025	Grooved Yoke		X	041068
14	610.102	Ratchet Clutch		X	553210.03 353629 K33B-700
15	610.946	Protective Cone		X	365351
16	610.566	Stop Chain		2	044321
17	610.964	Guard Section		X	197043
18	610.981	Guard Section		X	188408
19	612.176	PTO Shaft Section		X	(612096)
20	612.177	PTO Shaft Section		X	(612096)
21	612.133	PTO Operating Instructions		X	705066
22	612.131	Decal		X	104689



Decals

Decals

Item	Part Number	Description	Serial # Ranges	HR-531H	Notes
1	646.411	Decal		X	
2	646.413	Decal		X	
3	646.407	Decal		X	
4	646.409	Decal		X	
5	646.415	Decal		X	
6	646.405	Decal		X	
7	646.225	Decal		X	
8	646.206	Decal		X	
9	646.422	Decal		X	
10	646.849	Decal		X	
11	646.840	Decal		X	



Decals

Decals

Item	Part Number	Description	Serial # Ranges	HR-531H	Notes
1	646.013	Decal		X	
2	646.002	Decal		X	
3	646.001	Decal		X	
4	646.239	Decal		X	
5	646.007	Decal		X	
6	646.243	Decal		X	
7	646.010	Decal		X	
8	646.240	Decal		X	