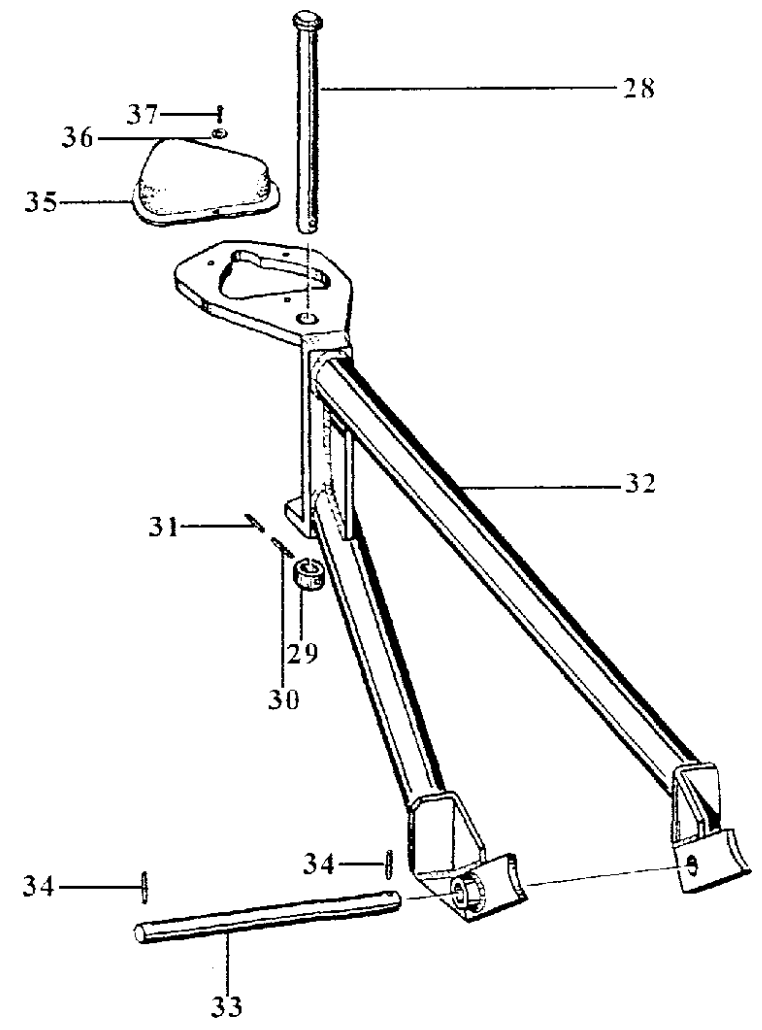
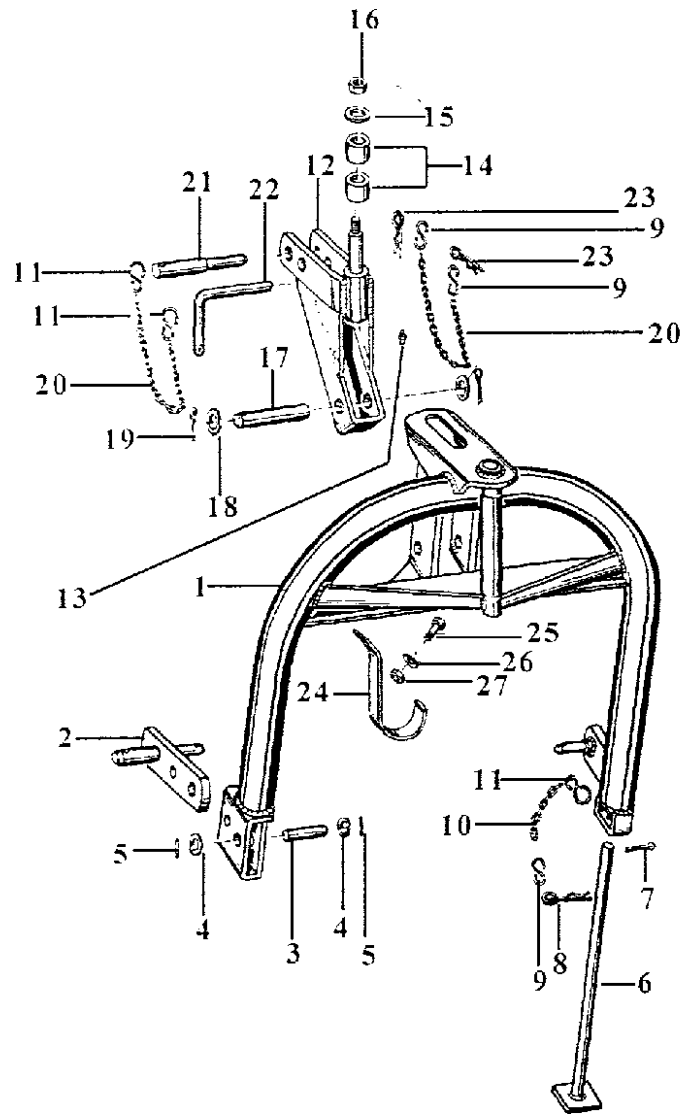


---

## Table Of Contents

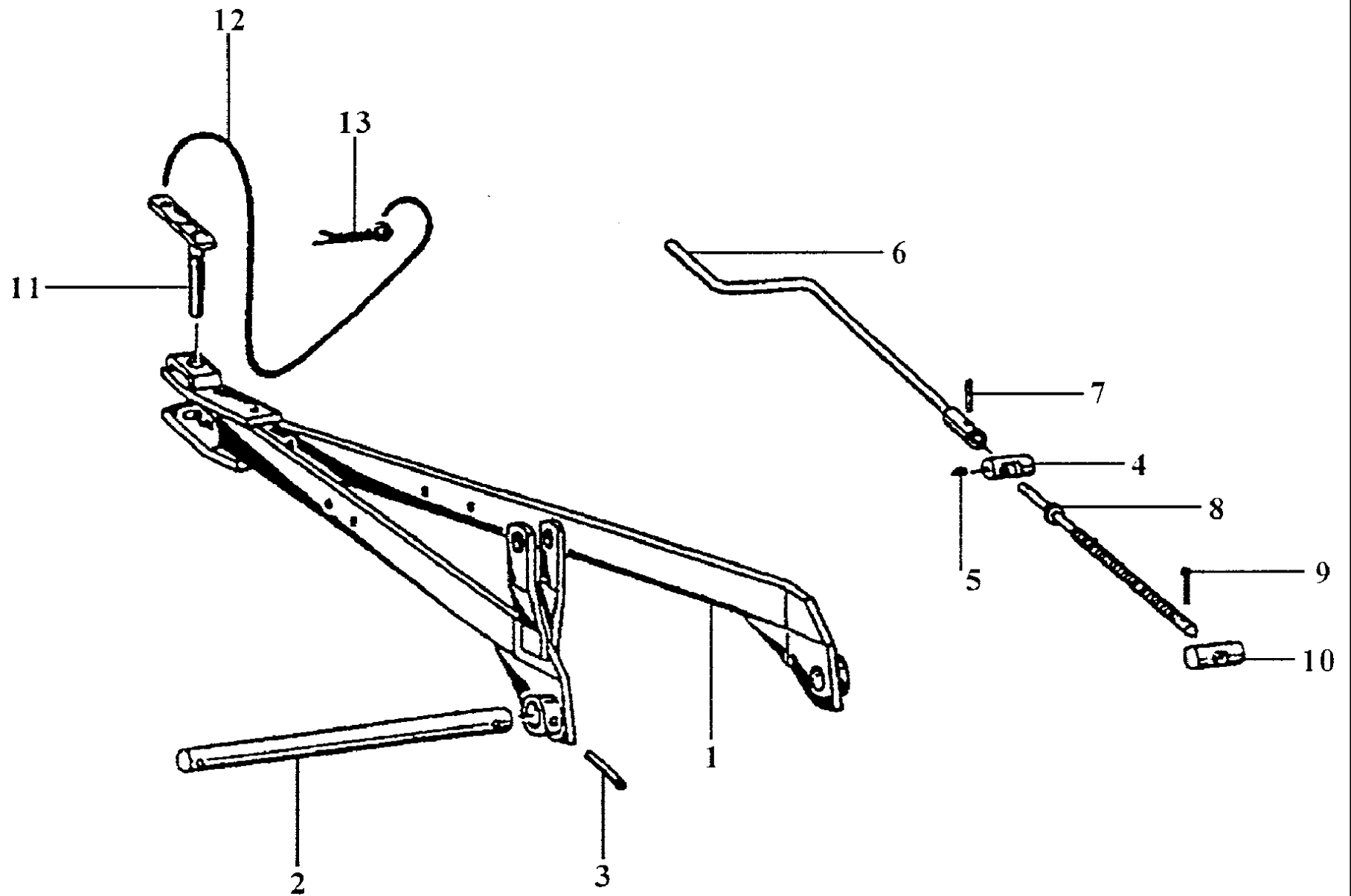
<b>3 Point Hitch .....</b>	<b>2</b>
<b>Pull-Type Hitch.....</b>	<b>4</b>
<b>Main Frame .....</b>	<b>6</b>
<b>Angle Adjuster - Serial Number 44982 &amp; Prior .....</b>	<b>8</b>
<b>Rotor Assembly - Serial Number 44982 &amp; Prior .....</b>	<b>10</b>
<b>Rotor Assembly - Serial Number 44983 &amp; Later .....</b>	<b>12</b>
<b>Rotor Axle - Serial Number 44781 &amp; Later .....</b>	<b>14</b>
<b>Standard Tires - Serial Number 44982 &amp; Prior.....</b>	<b>16</b>
<b>Balloon Tires - Serial Number 44982 &amp; Prior .....</b>	<b>18</b>
<b>Safety Frames - Serial Number 44982 &amp; Prior .....</b>	<b>20</b>
<b>Safety Frames - Serial Number 44983 &amp; Later.....</b>	<b>22</b>
<b>Reduction Gearbox - Tine Savers .....</b>	<b>24</b>
<b>PTO Shaft - Serial Number 44982 &amp; Prior .....</b>	<b>26</b>
<b>PTO Shaft - Serial Number 44983 &amp; Later .....</b>	<b>28</b>
<b>Decals .....</b>	<b>30</b>



### 3 Point Hitch

## 3 Point Hitch

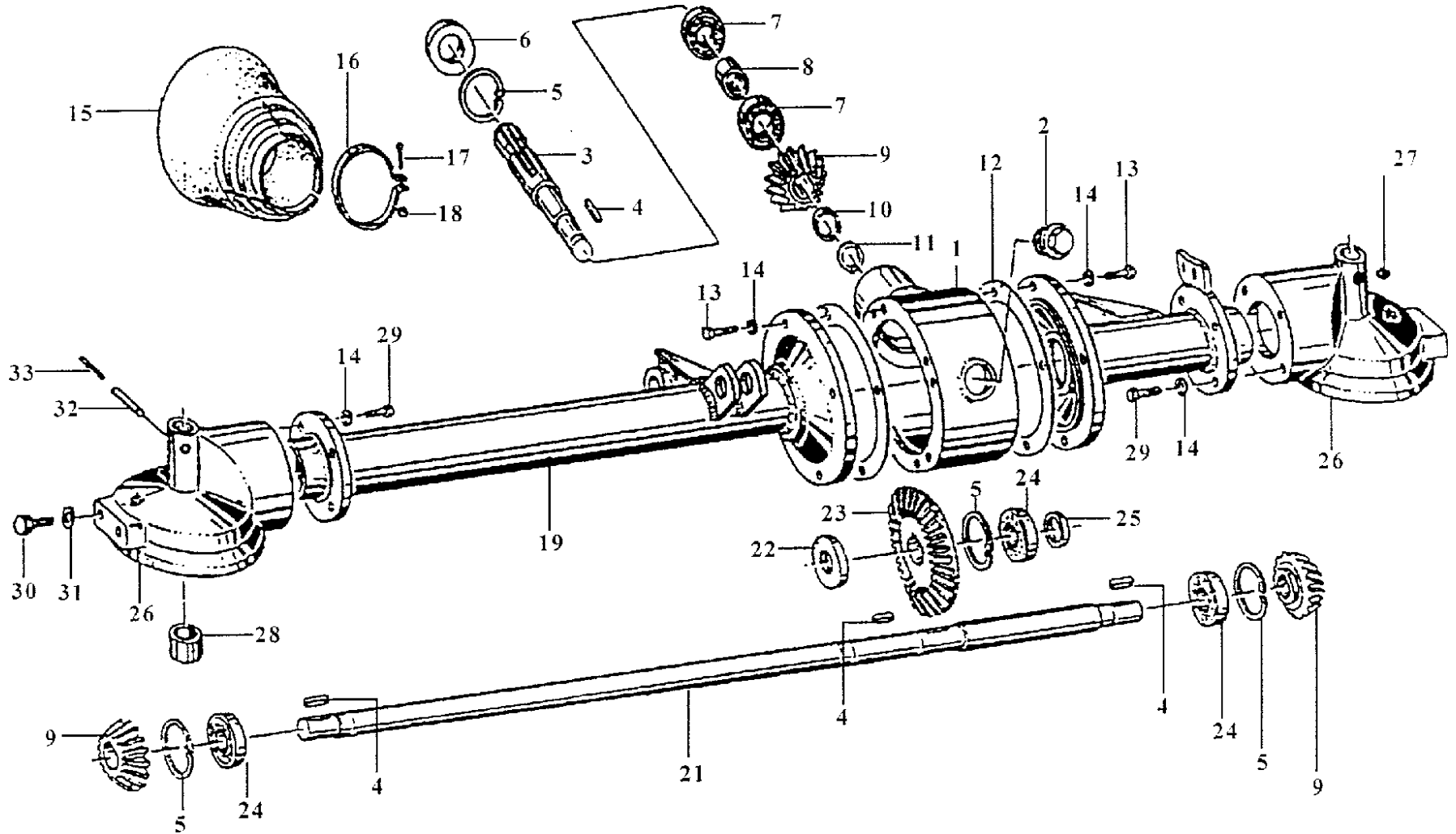
Item	Part Number	Description	Serial # Ranges	HR-301	HR-301D	Notes
1	10371	3 Point Headstock			X	
2	13057	Linkage Pin			X	
3	10279	Linkage Axle			X	Includes Items 3-5
4	520.144	Washer			2	21 X 37 X 3
5	530.062	Tension Pin			2	6 X 40
6	10566	Parking Stand			X	Includes Item 7
7	530.350	Cotter Pin			X	6 X 35
8	570.299	Spring Clip			X	6mm
9	570.201	S-Hook			X	5 X 40
10	570.065	Chain			X	2 X 12/7
11	570.203	S-Hook			2	6 X 50
12	10372	Latch			X	
12a	10374	Latch Complete			X	Includes Items 12-16
13	570.289	Grease Fitting			X	H2 M10 X 1
14	541.740	Bushing			X	
15	520.105	Washer			X	16.5 X 45 X 3
16	510.521	Hex Nut			X	M16
17	10375	Latch Axle			X	
18	520.185	Washer			X	26 X 40 X 1.5
19	530.351	Cotter Pin			X	6 X 40
20	570.068	Chain			X	2 X 12/7
21	11732	Top Link Pin			X	
22	10376	Transport Safety Pin			X	
23	570.226	Spring Clip			X	4mm
24	10494	PTO Support			X	
25	500.787	Hex Bolt			X	M12 X 35
26	560.707	Spring Washer			X	28 X 12.2 X 1.5
27	510.306	Hex Nut			X	M12
28	13062	Swivel Axle			X	
29	13063	Collar			X	Includes Items 30 & 31
30	530.131	Tension Pin			X	12 X 50
31	530.081	Tension Pin			X	7 X 50
32	10944	3 Point Carrying Frame			X	
33	10701	Shaft			X	
34	530.113	Tension Pin			2	10 X 50
35	600.414	Protective Cover			X	
36	520.004	Washer			X	3.7 X 11 X .8
37	531.031	Rivet			X	3 X 10



**Pull-Type Hitch**

## Pull-Type Hitch

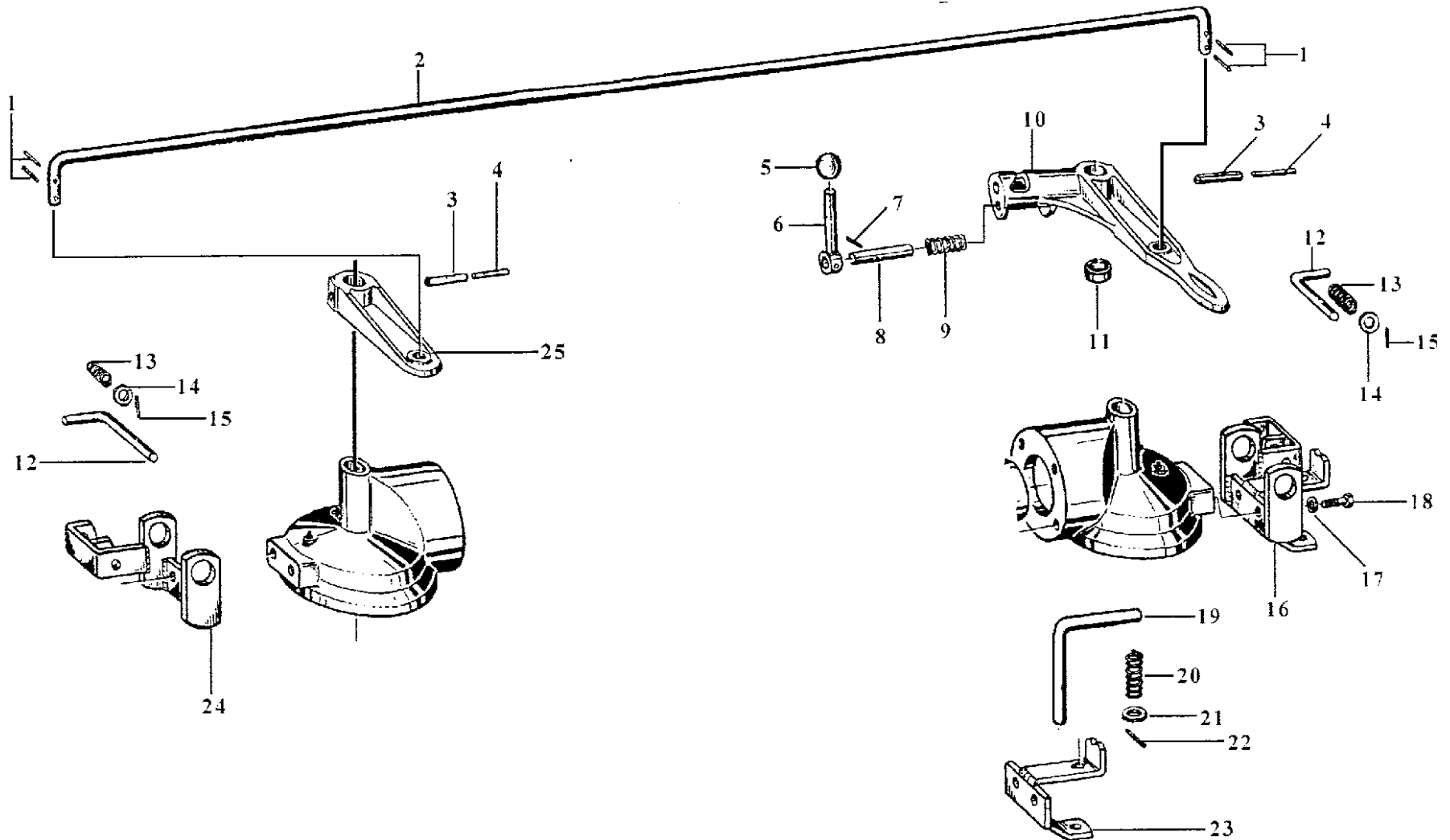
Item	Part Number	Description	Serial # Ranges	HR-301	HR-301D	Notes
1	10699	Tongue		X		10 X 50 Includes Item 5 H1S 8 X 1
2	10701	Axle		X		
3	530.113	Tension Pin		2		
4	10559	Guide		X		
5	570.265	Grease Fitting		X		
6	10558	Crank Handle		X		7 X 30 Includes Item 9 4 X 30
7	530.076	Tension Pin		X		
8	10560	Spindle		X		
9	530.330	Cotter Pin		X		
10	02504	Spindle Nut		X		
11	10214	Pull Pin		X		L=1250 6
12	15049	Retaining Strap		X		
13	570.229	Spring Clip		X		



Main Frame

## Main Frame

Item	Part Number	Description	Serial # Ranges	HR-301	HR-301D	Notes
1	10380	Gearbox Housing		X	X	010380 G
2	503.018	Plug		X	X	M42 X 2
3	10519	Splined Shaft		X	X	
4	531.329	Key		4	X	A 8 X 7 X 35
5	531.640	Circlip		X	X	J 62 X 2
6	550.060	Oil Seal		X	X	35 X 62 X 10
7	540.155	Grooved Ball Bearing		X	X	6206 2RS
8	10258	Spacer		8	X	
9	10656	Pinion		2	X	Z=15
10	10436	Spacer		X	X	
11	531.518	Circlip		X	X	A 28 X 1.5
12	551.210	Seal		2	X	202/156 X .5
13	500.905	Hex Bolt		X	X	M12 X 30
14	520.534	Spring Lock Washer		16	X	12
15	610.700	Protective Cone		X	X	
16	610.570	Clamp		X	X	
17	503.126	Screw		X	X	M5 X 25
18	510.602	Nut		X	X	M5
19	10607	Housing L/H		X	X	
20	10608	Housing R/H		X	X	
21	10941	Horizontal Drive Shaft		X	X	
22	550.042	Oil Seal		X	X	30 X 62 X 10
23	10655	Pinion		X	X	Z=30
24	540.156	Grooved Ball Bearing		3	X	6206 2RS
25	10125	Spacer		X	X	
26	10466	Rotor Housing		2	X	
27	570.265	Grease Fitting		2	X	H1S 8 X 1
28	541.717	Bushing		2	X	30 X 35 X 25
29	500.784	Hex Bolt		8	X	M12 X 30
30	500.411	Hex Bolt		4	X	M12 X 55
31	520.534	Spring Lockwasher		4	X	12
32	530.112	Tension Pin		X	X	10 X 45
33	530.064	Tension Pin		X	X	6 X 45

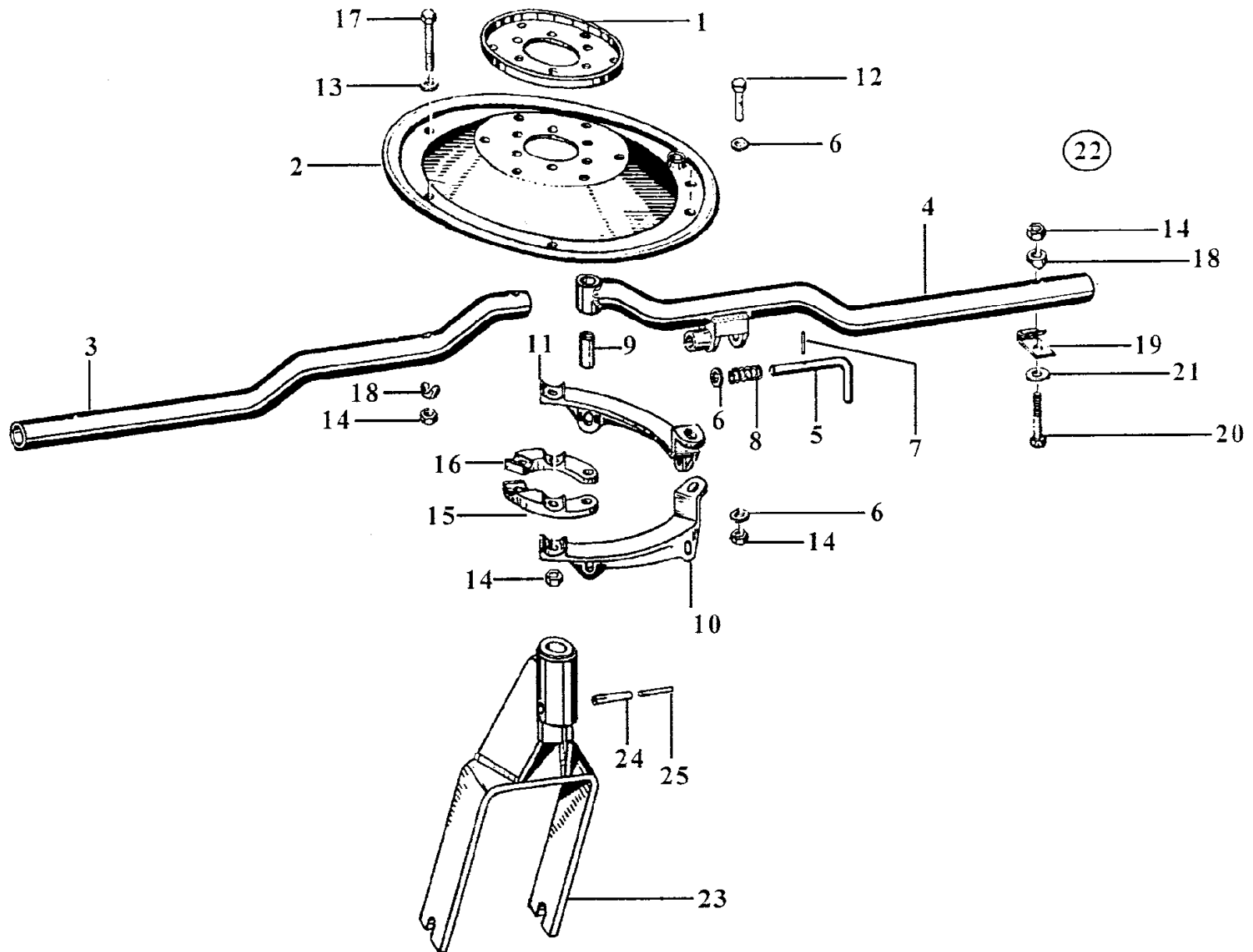


**Angle Adjuster - Serial Number 44982 & Prior**



## Angle Adjuster - Serial Number 44982 & Prior

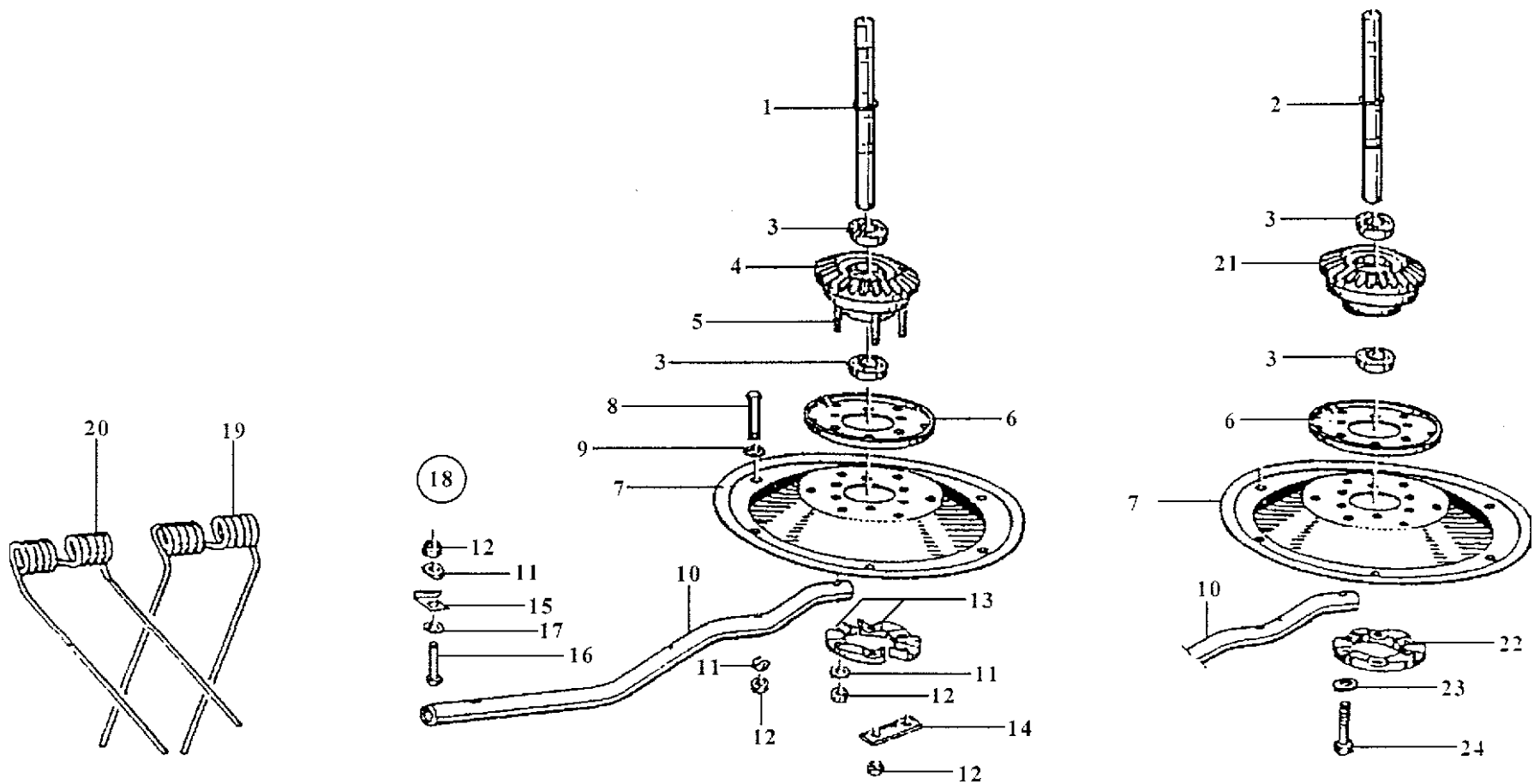
Item	Part Number	Description	Serial # Ranges	HR-301	HR-301D	Notes
1	530.044	Tension Pin		2	2	5 X 36
2	10270	Tie Rod		X	X	Includes Item 1
3	530.132	Tension Pin		2	2	12 X 55
4	530.082	Tension Pin		2	2	7 X 55
5	10718	Knob		X	X	
6	10718	Handle		X	X	Includes Item 5
7	530.040	Tension Pin		X	X	5 X 24
8	10719	Lock Pin		X	X	Includes Item 7
9	560.234	Spring		X	X	
10	10856	Hand Lever		X	X	Includes Items 3 & 4
11	10499	Spacer		X	X	40 X 2 X 12.5
12	10859	Pin		2	2	Includes Item 14
13	560.234	Spring		2	2	
14	520.075	Washer		2	2	13 X 25 X 3
15	530.022	Tension Pin		2	2	3.5 X 24
16	10610	Locking Bracket R/H		X	X	
17	520.534	Spring Lockwasher		4	4	12
18	500.783	Hex Bolt		4	4	M12 X 25
19	10612	Lock Pin		X	X	
20	560.269	Spring		X	X	
21	520.112	Washer		X	X	17 X 30 X 3
22	530.023	Tension Pin		X	X	3.5 X 30
23	10611	Locking Bracket R/H		X	X	
24	10609	Locking Bracket L/H		X	X	
25	10855	Lever		X	X	Includes Items 3 & 4



**Rotor Assembly - Serial Number 44982 & Prior**

## Rotor Assembly - Serial Number 44982 & Prior

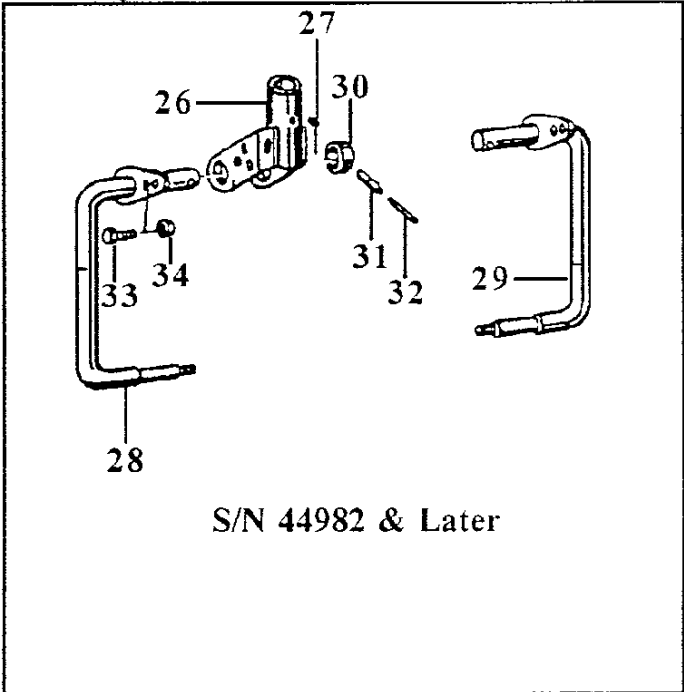
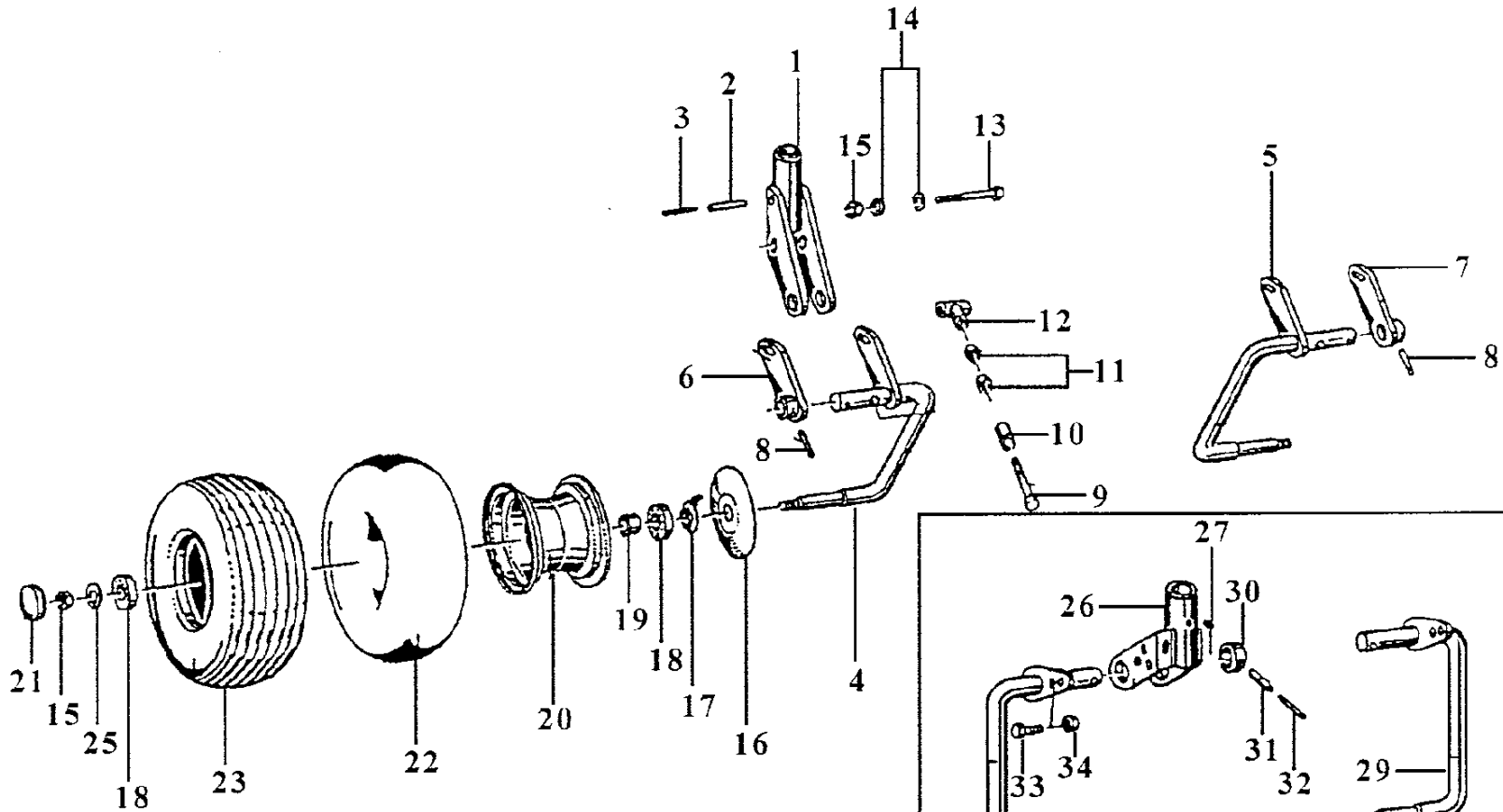
Item	Part Number	Description	Serial # Ranges	HR-301	HR-301D	Notes
1	10482	Cover		2	2	
2	10863	Rotor Plate		2	2	
3	10613	Tine Arm Rigid		10	10	
4	10614	Tine Arm Swivel		2	2	
5	10867	Lock Pin		2	2	Includes Items 6 & 7
6	520.075	Washer		2	2	13 X 25 X 3
7	530.022	Tension Pin		2	2	3.5 X 24
8	560.234	Spring		2	2	
9	10866	Spacer		2	2	
10	10868	Adjuster Segment R/H		X	X	
11	10869	Adjuster Segment L/H		X	X	
12	500.784	Hex Bolt		4	4	M12 X 30
13	520.085	Washer		36	36	13 X 25 X 3
14	510.517	Hex Nut		36	36	M12
15	10615	Clamp Ring		2	2	
16	10616	Clamp Ring		2	2	
17	500.486	Hex Bolt		12	12	M12 X 60
18	10205	Bracket		24	24	
19	10168	Tine Clamp		24	24	
20	500.490	Hex Bolt		24	24	M12 X 70
21	520.094	Washer		24	24	14 X 35 X 4
22	10299	Bolt Assembly for Tine		12	12	
23	10488	Wheel Fork - Standard Tires		X	X	Includes Items 24 & 25
	10489	Wheel Fork - Balloon Tires		X	X	Includes Items 24 & 25
24	530.131	Tension Pin		2	2	12 X 50
25	530.181	Tension Pin		2	2	7 X 50



**Rotor Assembly - Serial Number 44983 & Later**

## Rotor Assembly - Serial Number 44983 & Later

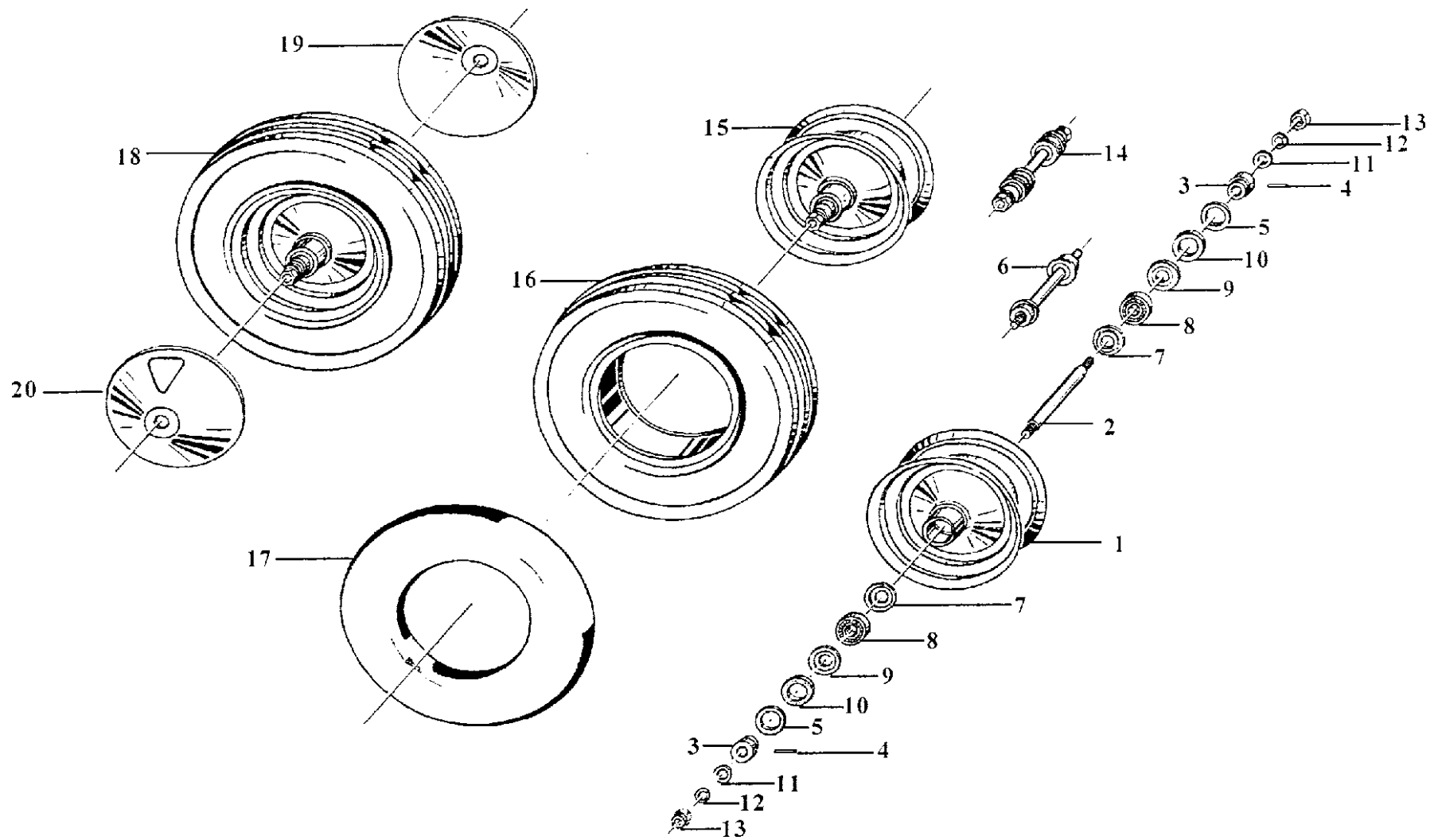
Item	Part Number	Description	Serial # Ranges	HR-301	HR-301D	Notes
1	10769	Axle	44781-44982	X	X	
2	15670	Axle	44983-	X	X	
3	540.073	Grooved Ball Bearing		4	4	6006 2RS
4	10481	Pinion	44781-44982	2	2	Z=30
5	503.192	Stud		12	12	
6	10482	Cover		2	2	
7	13006	Tine Arm Plate		2	2	
8	500.489	Hex Bolt		12	12	M12 X 65
9	520.085	Washer		24	24	13 X 25 X 3
10	10613	Tine Arm		12	12	
11	10205	Mounting Bracket		24	24	
12	510.517	Hex Nut		12	12	
13	10483	Clamp Segment - 2 Halves	44781-44982	4	4	
14	15179	Tongue	44781-44982	4	4	
15	10168	Tine Clamp		24	24	
16	500.386	Hex Bolt		24	24	M12 X 75
17	520.094	Washer		24	24	14 X 35 X 4
18	10299	Bolt Assembly for Tine		12	12	
19	600.039	Tine L/H		6	6	Yellow
20	600.038	Tine R/H		6	6	Red
21	15469	Pinion	44983-	2	2	Z=30
22	15465	Clamp Segment	44983-	2	2	
23	520.083	Washer	44983-	12	12	13 X 24 X 2.5
24	500.354	Hex Bolt	44983-	12	12	M12 X 60



**Rotor Axle - Serial Number 44781 & Later**

## Rotor Axle - Serial Number 44781 & Later

Item	Part Number	Description	Serial # Ranges	HR-301	HR-301D	Notes
1	15075	Wheel Bracket		2	2	
2	530.132	Tension Pin		2	2	12 X 55
3	530.082	Tension Pin		2	2	7 X 55
4	15092	Strut R/H		X	X	
5	15093	Strut L/H		X	X	
6	15094	Bearing		X	X	
7	15095	Bearing		X	X	
8	530.113	Tension Pin		2	2	10 X 50
9	500.804	Hex Bolt		2	2	M12 X 100
10	15078	Spacer		2	2	
11	510.306	Hex Nut		2	2	M12
12	15077	Adjuster		2	2	
13	500.380	Hex Bolt		2	2	M12 X 100
14	520.085	Washer		2	2	13 X 25 X 3
15	510.517	Hex Nut		2	2	M12
16	15110	Cover		X	X	
17	600.501	Seal		X	X	
18	510.149	Grooved Ball Bearing		2	2	6205 2RSR
19	600.503	Bushing		X	X	
20	591.024	Rim		X	X	4.50 X 6
21	600.502	Cap		X	X	
22	591.221	Tube		X	X	15 X 6.00-6
23	591.125	Tire		X	X	15 X 6.00-6
24	591.350	Tire Complete		X	X	Includes Items 18-24
25	520.094	Washer		X	X	14 X 35 X 4
26	15484	Wheel Bracket	44983-	2	2	
27	570.265	Grease Fitting	44983-	X	X	H1S 8 X 1
28	15287	Strut L/H	44983-	X	X	
29	15286	Strut R/H	44983-	X	X	
30	15288	Collar	44983-	X	X	
31	530.132	Tension Pin	44983-	2	2	12 X 55
32	530.082	Tension Pin	44983-	2	2	7 X 55
33	500.785	Hex Bolt	44983-	2	2	M12 X 30
34	510.517	Hex Nut	44983-	2	2	M12

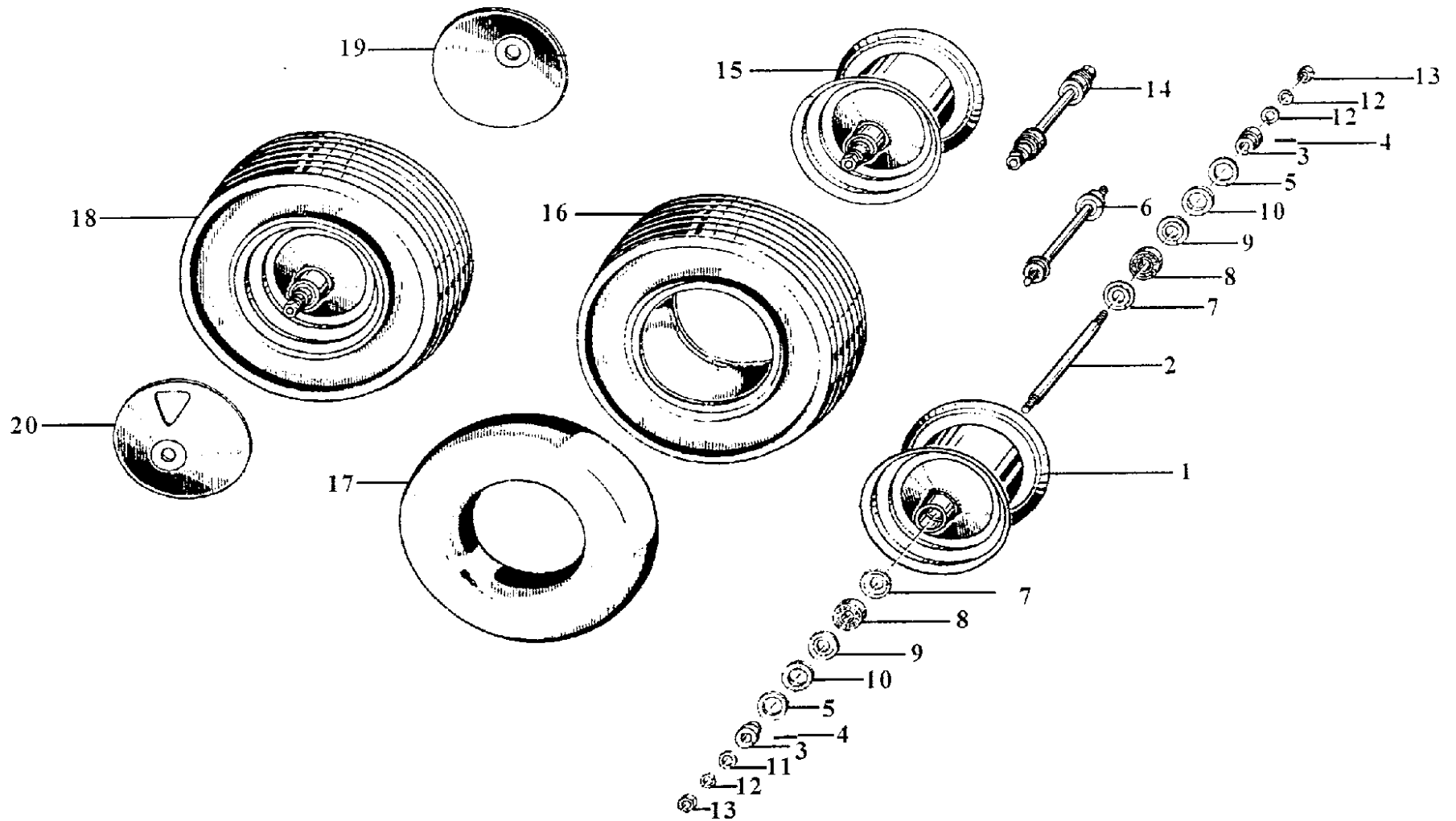


**Standard Tires - Serial Number 44982 & Prior**



## Standard Tires - Serial Number 44982 & Prior

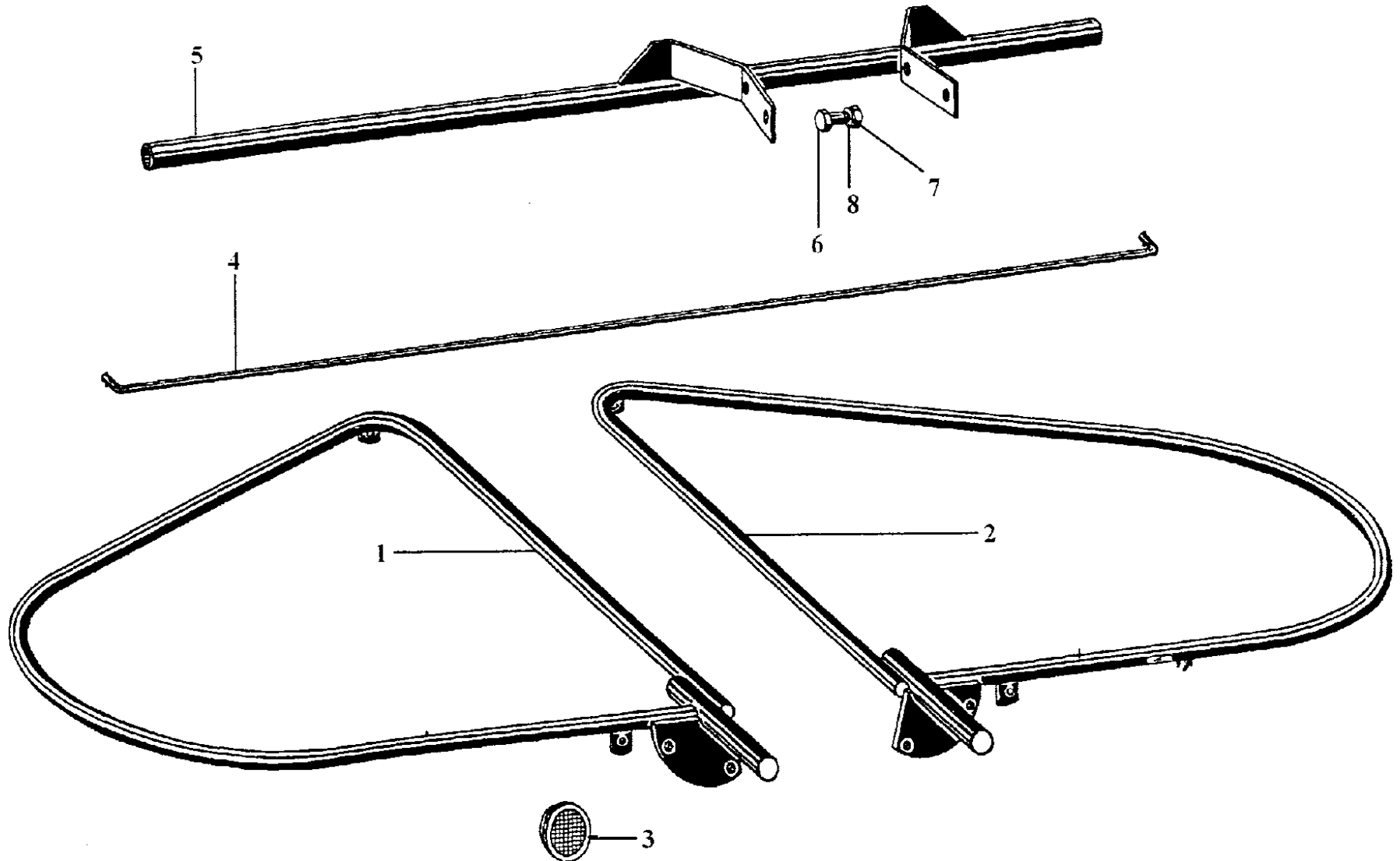
Item	Part Number	Description	Serial # Ranges	HR-301	HR-301D	Notes
1	02121	Rim		X	X	
2	02122	Axle		X	X	
3	02123	Spacer		2	2	
4	530.044	Tension Pin		2	2	5 X 36
5	520.228	Washer		2	2	
6	02446	Axle Complete		X	X	Includes Items 2-5
7	570.365	Grease Cap		2	2	
8	540.142	Grooved Ball Bearing		2	2	6204
9	520.134	Washer		2	2	
10	550.913	Felt Ring		2	2	
11	520.112	Washer		2	2	17 X 30 X 3
12	520.536	Spring Lock Washer		2	2	A 16
13	510.521	Hex Nut		2	2	M16
14	02457	Axle Complete		X	X	Includes Items 2-13
15	01119	Rim Complete		X	X	Includes Items 1-14
16	591.118	Tire		X	X	3.5 X 8
17	591.215	Tube		X	X	3.5 X 8
18	02117	Wheel Assembly Complete		X	X	Includes Items 15-17
19	01131	Hay Guard		X	X	
20	01132	Hay Guard w/Hole		X	X	



**Balloon Tires - Serial Number 44982 & Prior**

## Balloon Tires - Serial Number 44982 & Prior

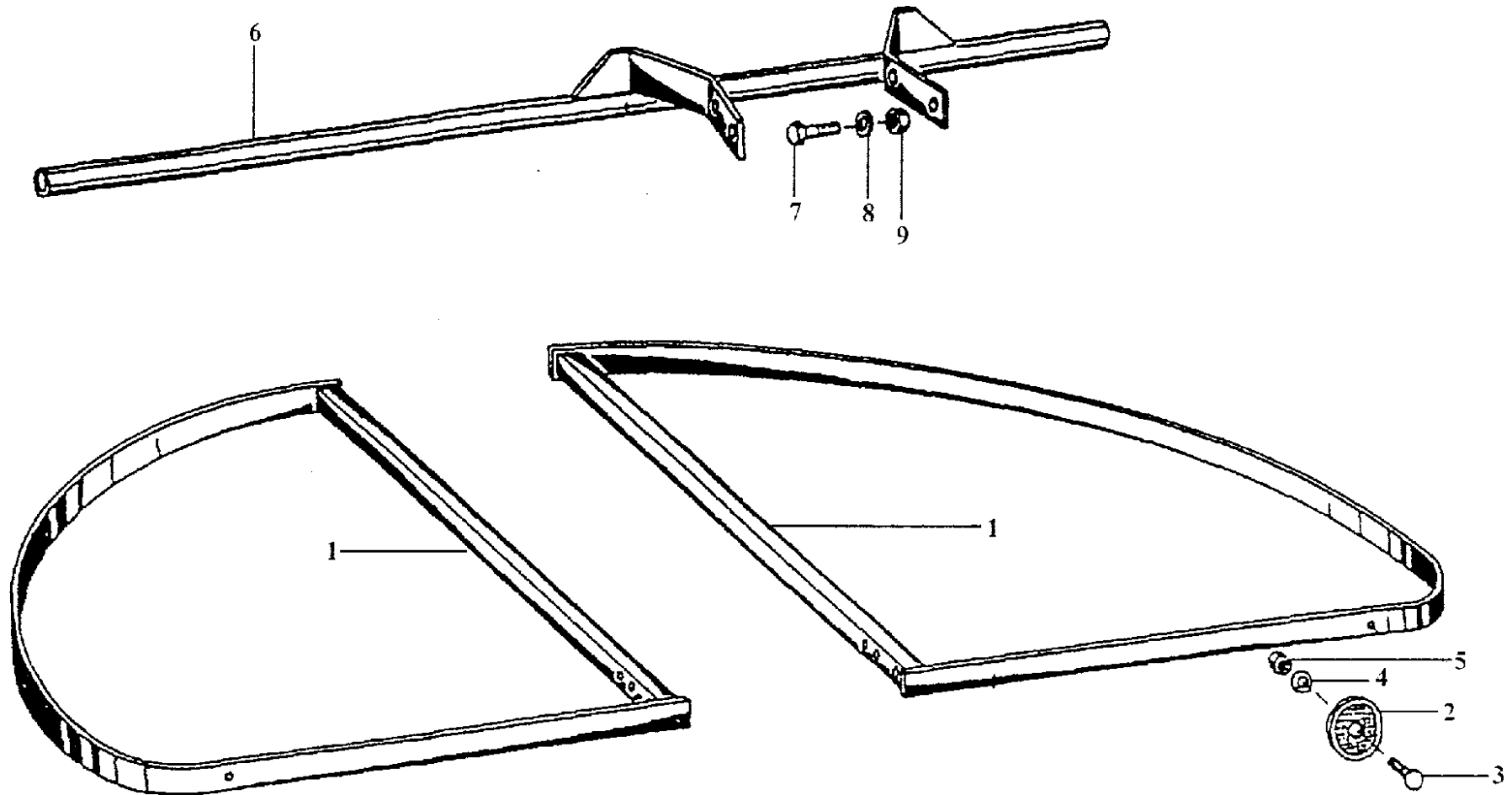
Item	Part Number	Description	Serial # Ranges	HR-301	HR-301D	Notes
1	10419	Rim		X	X	
2	10425	Wheel Axle		X	X	
3	02123	Spacer		2	2	
4	530.044	Tension Pin		2	2	5 X 36
5	520.228	Washer		2	2	
6	10420	Wheel Axle Complete		X	X	Includes Items 2-5
7	570.365	Grease Cap		2	2	
8	540.142	Grooved Ball Bearing		2	2	6204
9	520.134	Washer		2	2	
10	550.913	Felt Ring		2	2	
11	520.112	Washer		2	2	30 X 17 X 3
12	520.536	Spring Lockwasher		2	2	A 16
13	510.235	Hex Nut		2	2	M16
14	10421	Axle Complete		X	X	Includes Items 2-13
15	10422	Rim Complete		X	X	Includes Items 1-14
16	591.120	Tire		X	X	16 X 6.5 X 8
17	591.218	Tube		X	X	16 X 6.5 X 8
18	10423	Balloon Tire Complete		X	X	Includes Items 15-17
19	01131	Hay Guard		X	X	
20	01132	Hay Guard w/Hole		X	X	



**Safety Frames - Serial Number 44982 & Prior**

## Safety Frames - Serial Number 44982 & Prior

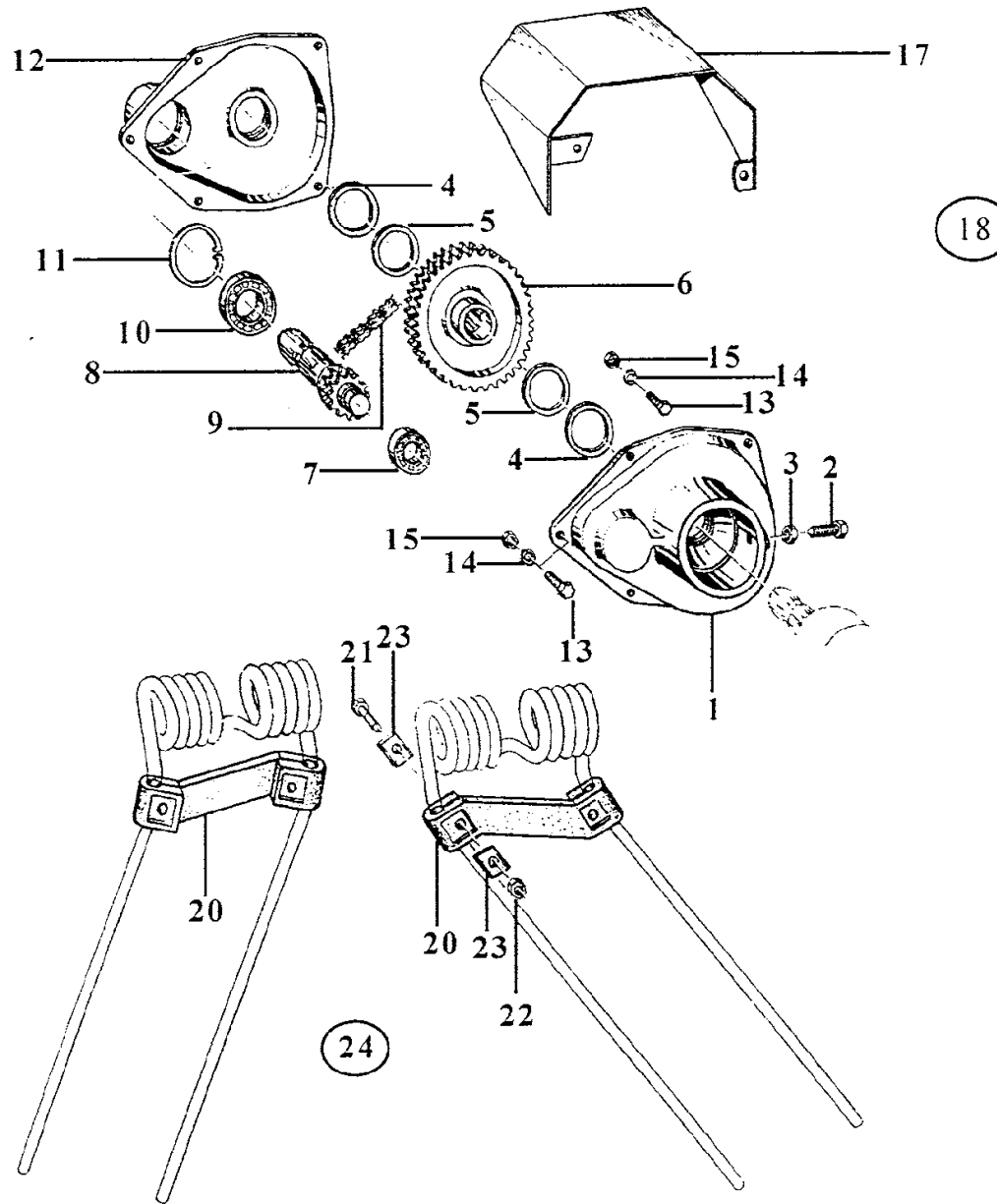
Item	Part Number	Description	Serial # Ranges	HR-301	HR-301D	Notes
1	10873	Safety Frame L/H		X	X	
2	10872	Safety Frame R/H		X	X	
3	570.450	Reflector		2	2	
4	10617	Connection Stay			X	Includes Tension Pins
5	10875	Safety Frame Center		X		
6	500.247	Hex Bolt		4	4	M12 X 35
7	510.019	Hex Nut		4	4	M12
8	520.534	Spring Lockwasher		4	4	12



**Safety Frames - Serial Number 44983 & Later**

## Safety Frames - Serial Number 44983 & Later

Item	Part Number	Description	Serial # Ranges	HR-301	HR-301D	Notes
1	15464	Safety Frame		2	2	
2	570.455	Reflector		2	2	
3	502.234	Countersunk Bolt		2	2	M5 X 16
4	520.014	Washer		2	2	5.5 X 10 X 1
5	510.504	Hex Nut		2	2	M5
6	15106	Guard Tube		X	X	
7	500.247	Hex Bolt		4	4	M12 X 35
8	520.083	Washer		4	4	13 X 24 X 2.5
9	510.019	Hex Nut		4	4	M12

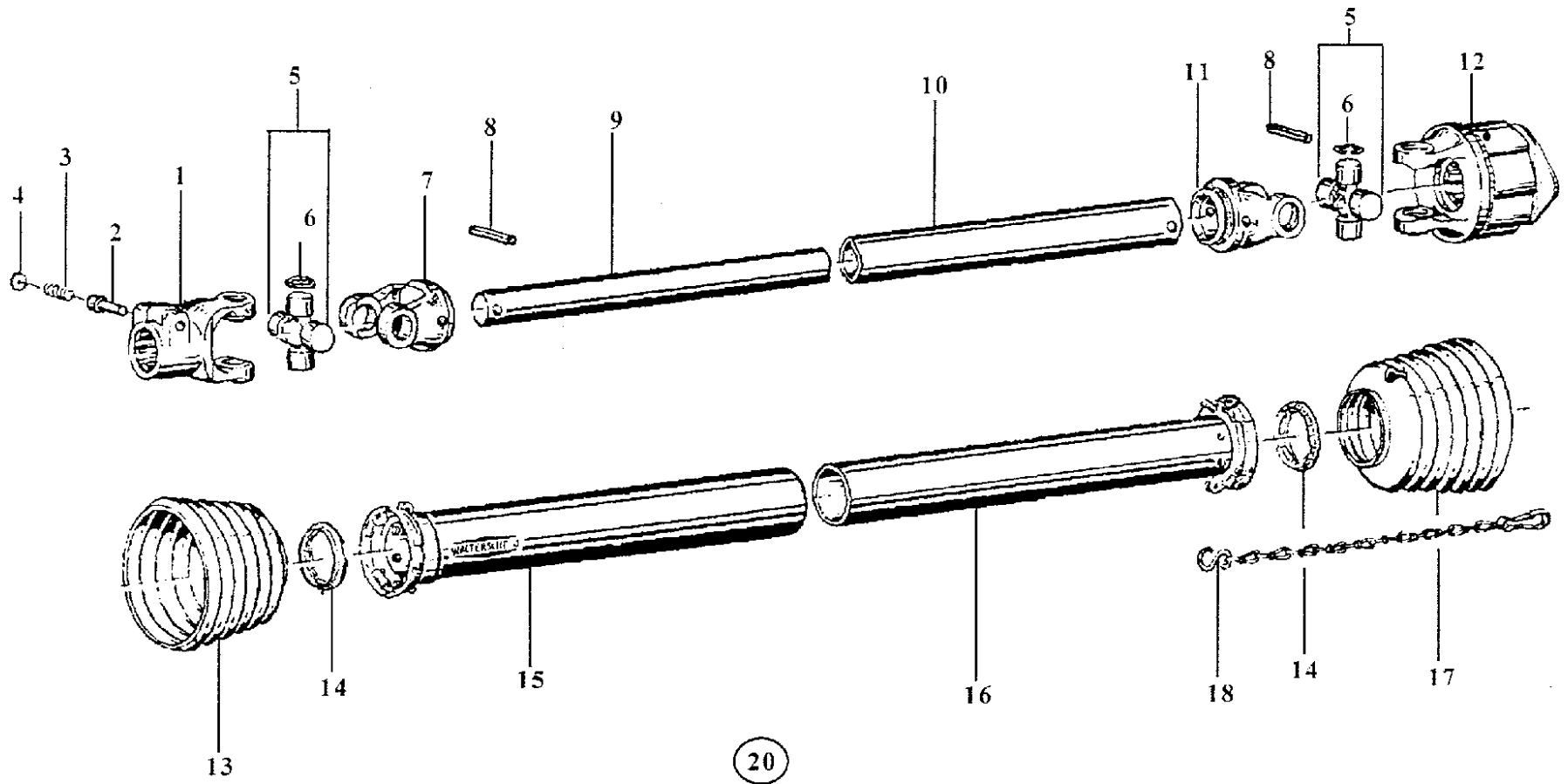


**Reduction Gearbox - Tine Savers**



## Reduction Gearbox - Tine Savers

Item	Part Number	Description	Serial # Ranges	HR-301	HR-301D	Notes
1	10750	Gearbox Housing		X	X	
2	500.791	Hex Bolt		X	X	M12 X 40
3	510.228	Hex Nut		X	X	M12
4	550.903	Felt Ring		X	X	F 10
5	520.471	Adapter Washer		X	X	S 45 X 55
6	10752	Sprocket		X	X	
7	540.067	Grooved Ball Bearing		X	X	6005 2RS
8	10753	Spline Shaft		X	X	
9	593.003	Double Roller Chain		X	X	RZ 222 - Includes Item 9a
9a	593.004	Connecting Link		X	X	
10	540.076	Grooved Ball Bearing		X	X	6007 2RS
11	531.640	Circlip		X	X	J62 X 2
12	10751	Gearbox Housing		X	X	
13	500.744	Hex Bolt		5	5	M8 X 25
14	520.532	Spring Lockwasher		5	5	8
15	510.222	Hex Nut		5	5	M8
16	500.745	Hex Bolt		X	X	M8 X 30
17	10755	Guard		X	X	
18	790.100	Reduction Gearbox Complete		X	X	
20	600.416	Tine Saver Bracket		X	X	
21	500.431	Hex Bolt		X	X	M6 X 30
22	510.505	Hex Nut		X	X	M6
23	10385	Plate		X	X	
24	10370	Tine Saver Bracket Complete		X	X	Includes Items 20-23

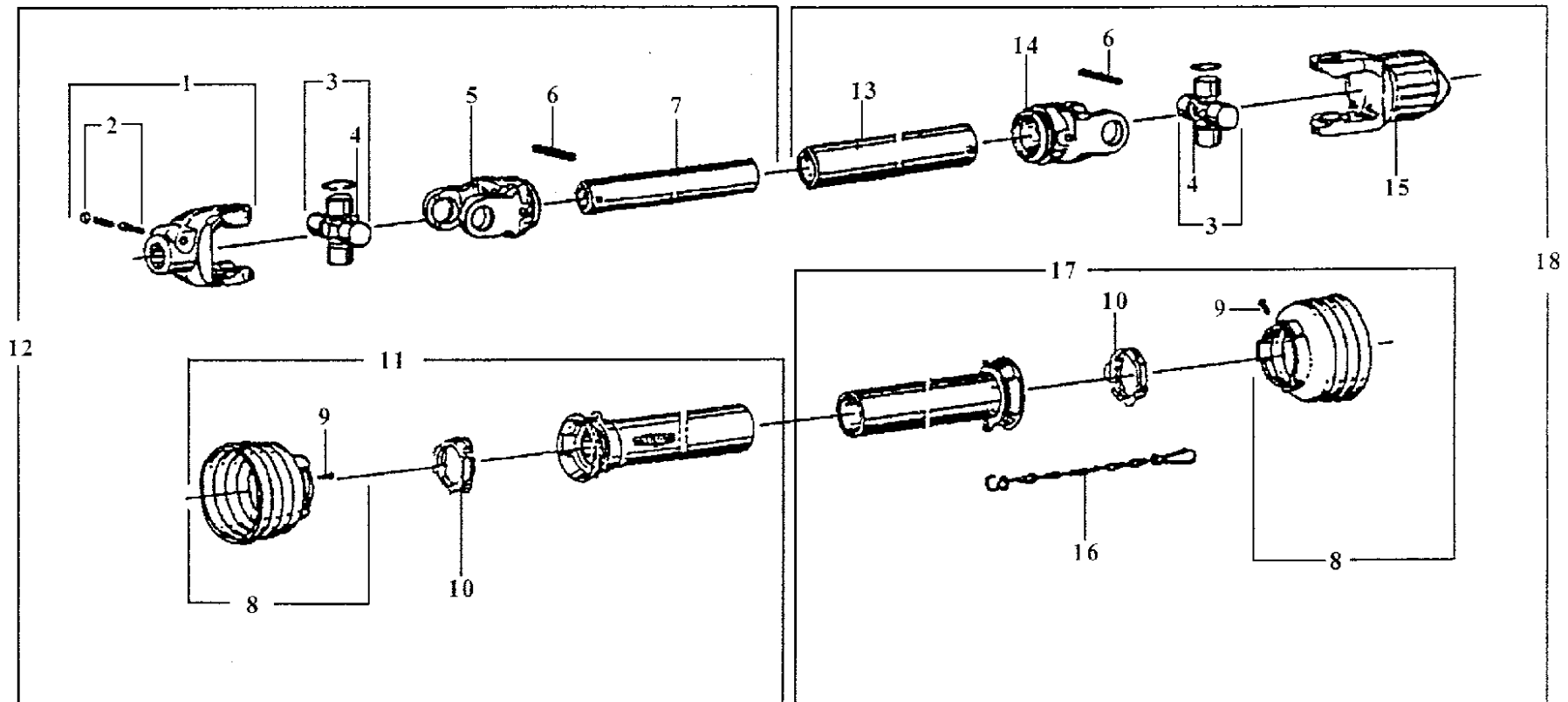


20

**PTO Shaft - Serial Number 44982 & Prior**

## PTO Shaft - Serial Number 44982 & Prior

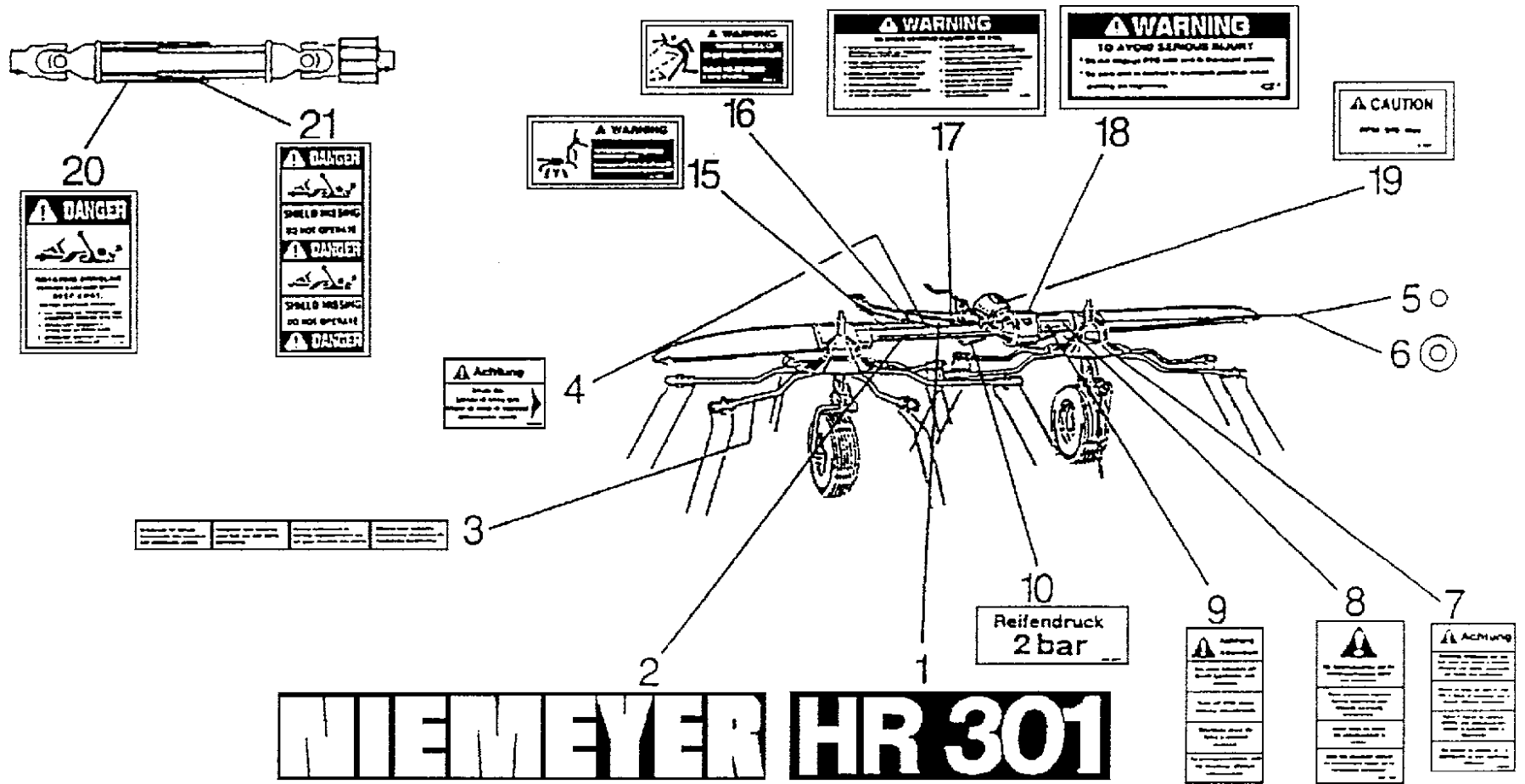
Item	Part Number	Description	Serial # Ranges	HR-301	HR-301D	Notes
1	610.000	Quick Release Yoke Complete		X	X	10.10.00
2	610.042	Quick Release Pin		X	X	65.01.12
3	560.203	Spring		X	X	66.01.49
4	520.002	Washer		X	X	16.11.22
5	610.050	Cross Kit Complete		2	2	10.01.00
6	531.852	Circlip		2	2	62.02.00 - 22 X 1.2
7	610.015	Yoke		X	X	10.48.00
8	530.096	Tension Pin		2	2	61.04.01 - 8 X 50
9	610.185	Profile Tube		X	X	75.06.15 - 1220mm
10	610.204	Profile Tube		X	X	75.12.15 - 1205mm
11	610.022	Yoke		X	X	10.49.00
12	610.100	Ratchet Clutch Complete		X	X	55.104.03
13	610.702	Protective Cone		X	X	83.05.06
14	610.680	Sliding Ring		X	X	83.09.00
15	610.624	PTO Guard Tube Outer		X	X	80.35.04 - 1165mm
16	610.607	PTO Guard Tube Inner		X	X	80.34.04 - 1160mm
17	610.726	Protective Cone		X	X	83.05.07
18	610.566	Stop Chain		X	X	82.36.03
20	377.721	PTO Shaft Complete		X	X	



**PTO Shaft - Serial Number 44983 & Later**

## PTO Shaft - Serial Number 44983 & Later

Item	Part Number	Description	Serial # Ranges	HR-301	HR-301D	Notes
1	610.003	Quick Release Yoke Complete		X	X	041049
2	610.043	Quick Release Pin		X	X	339107
3	610.058	Cross Kit Complete		2	2	044439
4	610.047	Grease Fitting		2	2	084099
5	610.018	Grooved Yoke		X	X	041065
6	530.116	Tension Pin		2	2	10 X 65
7	610.217	Profile Tube Inner		X	X	048203
8	610.731	Protective Cone		2	2	365344
9	610.046	Bolt		2	2	365305
10	610.681	Sliding Ring		2	2	087279
11	610.889	Guard Section		X	X	368619
12	610.398	PTO Shaft Section		X	X	330196
13	610.233	Profile Tube Outer		X	X	081873
14	610.025	Grooved Yoke		X	X	041068
15	610.113	Ratchet Clutch		X	X	359660
16	610.566	Stop Chain		X	X	044321
17	610.903	Guard Section		X	X	368618
18	610.399	PTO Shaft Section		X	X	377720
20	377.721	PTO Shaft Complete		X	X	



# NIEMMEYER HR 301

## Decals

## Decals

Item	Part Number	Description	Serial # Ranges	HR-301	HR-301D	Notes
1	646.052	Decal		X		
2	646.019	Decal		X	X	
3	646.227	Decal		X	X	
4	646.144	Decal		X	X	
5	646.231	Decal		X	X	
6	646.274	Decal		X	X	
7	646.168	Decal		X	X	
8	646.091	Decal		X	X	
9	646.040	Decal		X	X	
10	646.251	Decal		X	X	
15	646.001	Decal		X	X	
16	646.002	Decal		X	X	
17	646.013	Decal		X	X	
18	646.239	Decal		X	X	
19	646.243	Decal		X	X	
20	646.231	Decal		X	X	
21	646.274	Decal		X	X	