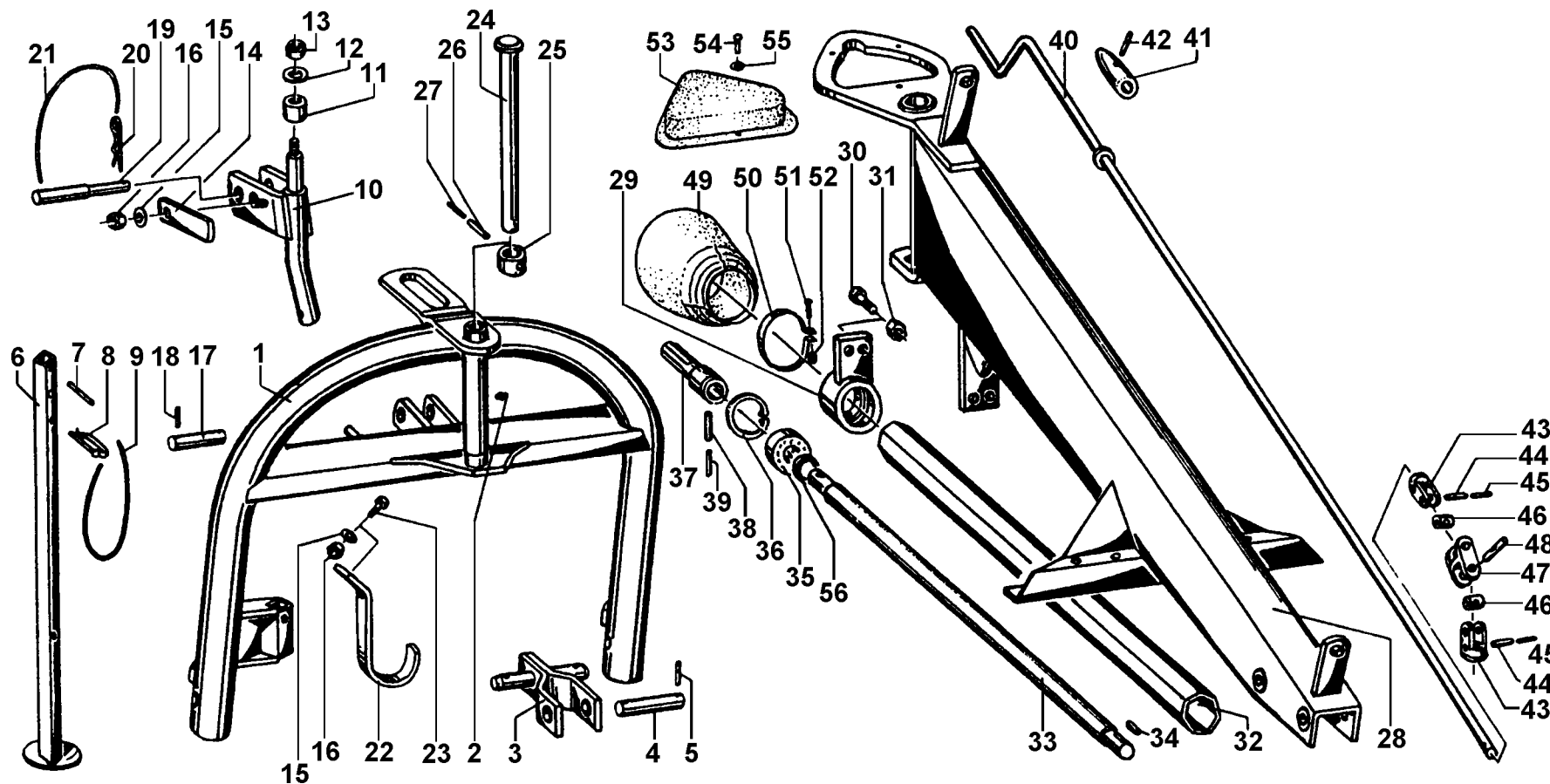


## Table Of Contents

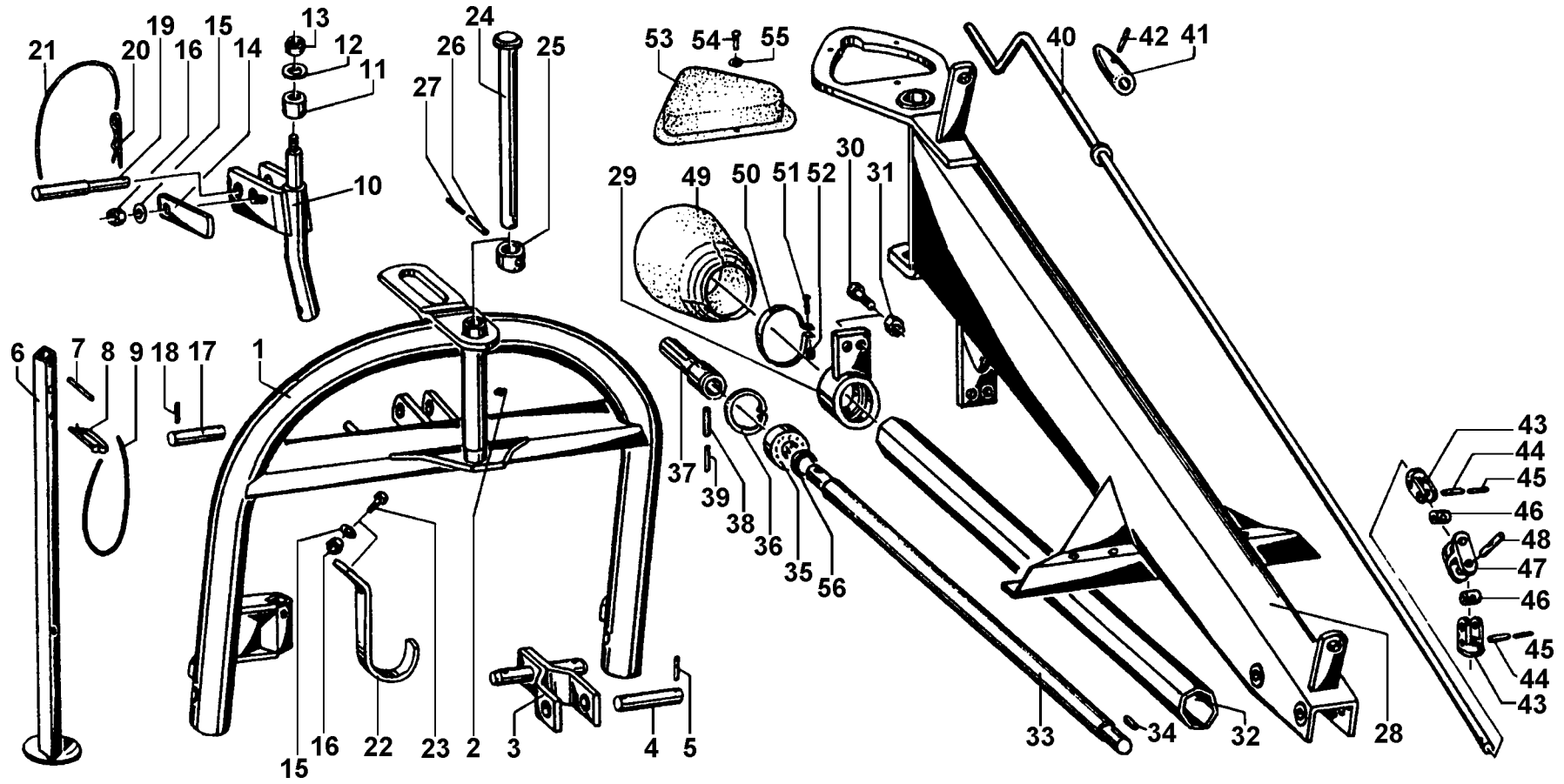
<b>Three Point Hitch / Hitch Frame Assembly .....</b>	<b>3</b>
<b>Tongue Pull Hitch Assembly .....</b>	<b>7</b>
<b>Main Gearbox .....</b>	<b>11</b>
<b>Crank Handle &amp; Gear .....</b>	<b>13</b>
<b>Hydraulic Lift .....</b>	<b>15</b>
<b>Rotor and Tine Arm Assembly .....</b>	<b>17</b>
<b>Safety Frame &amp; Windrow Former .....</b>	<b>21</b>
<b>Safety Frame &amp; Windrow Former - RS-340DA .....</b>	<b>25</b>
<b>Quadro Axle Assembly - Tine Savers .....</b>	<b>27</b>
<b>Three Point Hitch Support - Flotation Wheel .....</b>	<b>29</b>
<b>PTO Shaft .....</b>	<b>31</b>
<b>Safety Decals .....</b>	<b>33</b>



**Three Point Hitch / Hitch Frame Assembly**

## Three Point Hitch / Hitch Frame Assembly

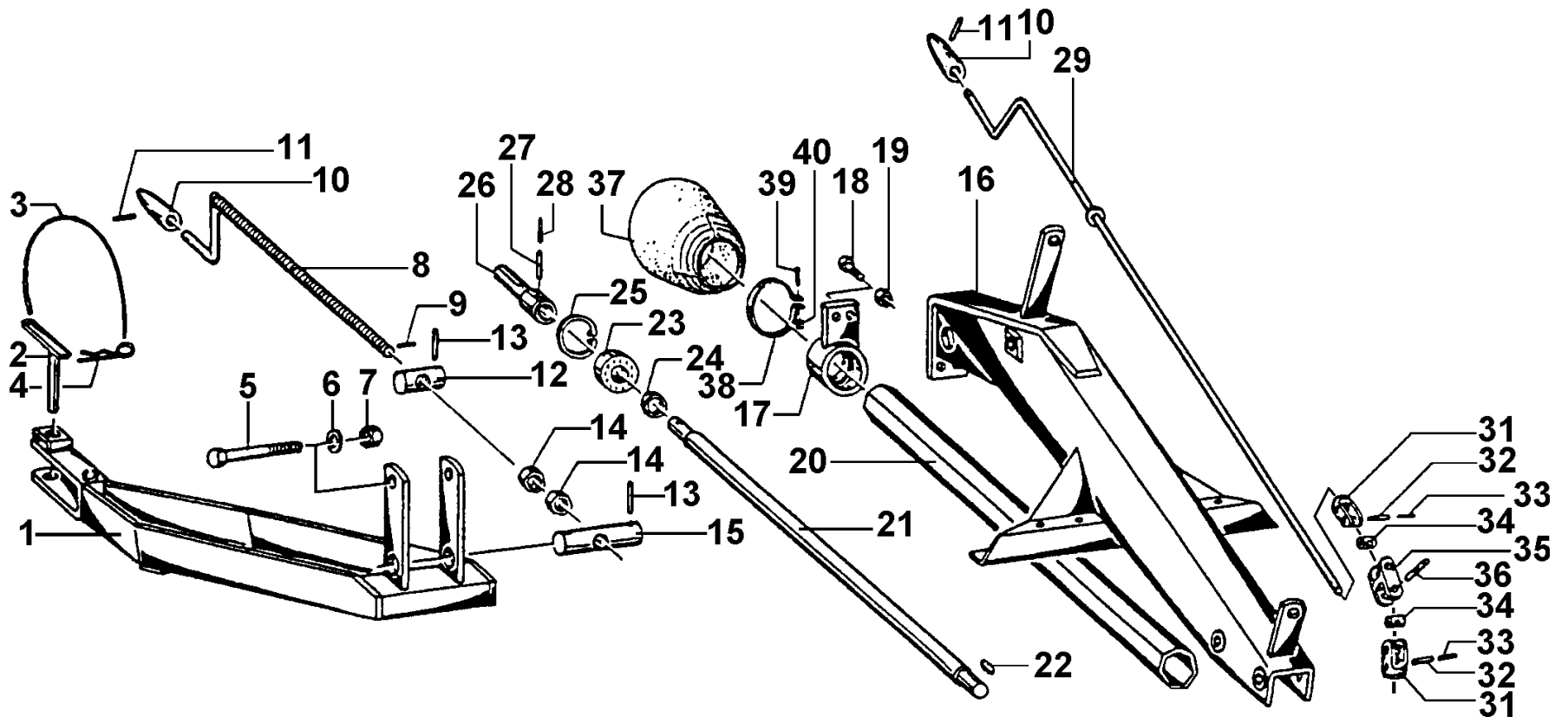
Item	Part Number	Description	Serial # Ranges	RS-300D	RS-320	RS-320D	RS-340	RS-340D	RS-350H	Notes
1	12833	Three Point A-Frame		1		1		1		
2	570.265	Grease Nipple		1		1		1		H1S 8 X 1
3	10961	Lift Pin		2		2		2		Cat. I & II
4	10964	Pin		2		2		2		
5	530.062	Tension Pin		4		4		4		6 X 40 DIN 1481
6	12834	Jack Stand		1		1		1		
7	530.063	Tension Pin		1		1		1		6 X 40 DIN 1481 vz
8	570.233	Clip Pin		1		1		1		10 V
9	15050	Cord		1		1		1		500mm Long (20")
10	10962	Top Link Bracket		1		1		1		
11	541.740	Bushing		1		1		1		50 X 30
12	520.105	Washer		1		1		1		16.5 X 45 X 3
13	510.521	Nut		1		1		1		M16 DIN 985 8
14	10963	Stop Bracket		1		1		1		
15	560.707	Spring Washer		1		1		1		28 X 12.2 X 1.5
16	510.451	Nut		1		1		1		M12 DIN 980 8
17	10965	Pin		1		1		1		
18	530.060	Tension Pin		1		1		1		6 X 35 DIN 1481
19	11732	Top Link Pin		1		1		1		
20	570.226	Spring Clip		1		1		1		4 DIN 11024 vz
21	15049	Cord		1		1		1		1250mm Long (50")
22	10494	PTO Bracket		1		1		1		
23	500.787	Hex Bolt		1		1		1		M12 X 35 DIN 933 8.8
24	13062	Pin/Axle		1		1		1		
25	13063	Collar		1		1		1		
26	530.150	Tension Pin		1		1		1		12 X 50 DIN 1481 vz
27	530.151	Tension Pin		1		1		1		7 X 50 DIN 1481 vz
28	12789	Carrying Frame				1		1		
	12813	Carrying Frame		1						
29	12736	Bearing Bracket		1		1		1		
30	500.824	Hex Bolt		2		2		2		M16 X 50 DIN 933 8.8
31	510.521	Nut		2		2		2		M16 DIN 985 8
32	12793	Guard Tube				1		1		
	12812	Guard Tube		1						
33	12790	Drive Shaft				1		1		
	12811	Drive Shaft		1						
34	531.333	Key		1		1		1		A8 X 7 X 40 DIN 6885 C45
35	540.254	Ball Bearing		2		2		2		6306 2RS



**Three Point Hitch / Hitch Frame Assembly**

## Three Point Hitch / Hitch Frame Assembly

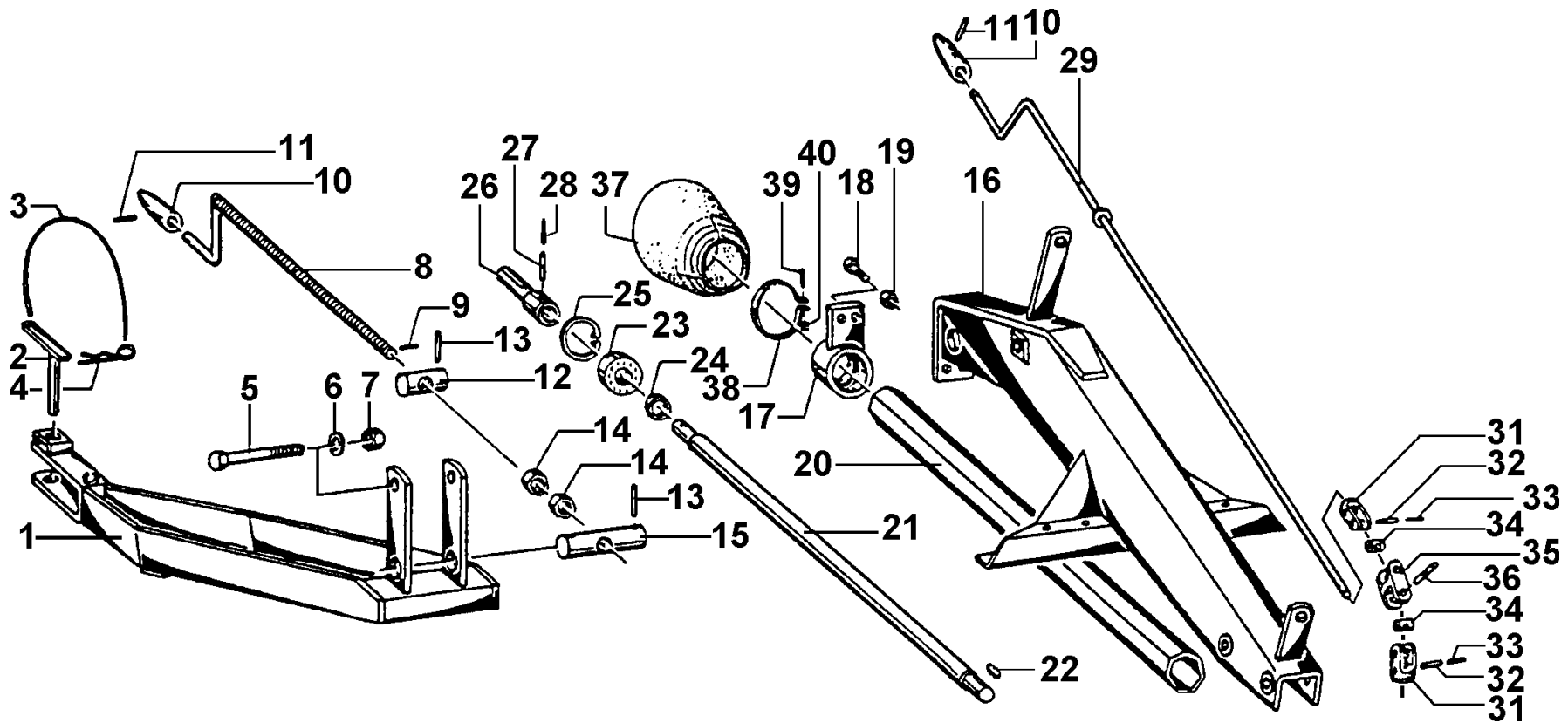
Item	Part Number	Description	Serial # Ranges	RS-300D	RS-320	RS-320D	RS-340	RS-340D	RS-350H	Notes
36	531.647	Circlip		2		2		2		J72 X 2.5 DIN 472
37	12103	Splined Shaft		1		1		1		
38	530.112	Tension Pin		1		1		1		10 X 45 DIN 1481
39	530.064	Tension Pin		1		1		1		6 X 45 DIN 1481
40	12371	Height Adjusting Crank				1		1		
	12828	Height Adjusting Crank		1						
41	12814	Handle		1		1		1		012814G
42	530.090	Tension Pin		1		1		1		8 X 30 DIN 1481
43	12372	Yoke	55,863 & Prior	1		1		1		X12526
44	530.091	Tension Pin	55,863 & Prior	2		2		2		8 X 32 DIN 1481
45	530.043	Tension Pin	55,863 & Prior	2		2		2		5 X 32 DIN 1481
46	12373	Connector	55,863 & Prior	2		2		2		
47	12374	Yoke	55,863 & Prior	1		1		1		012374G
48	12375	Connector	55,863 & Prior	2		2		2		
49	610.700	Protective Cover		1		1		1		
50	610.570	Clamp		1		1		1		
51	503.126	Hex Bolt		1		1		1		M5 X 25 DIN 985
52	510.602	Nut		1		1		1		M5
53	600.414	Cover		1		1		1		
54	531.031	Rivet		3		3		3		3 X 10 N4 V. DIN 1476
55	520.004	Washer		3		3		3		3.7 X 11 X .8 DIN 9021
56	10125	Bushing		1		1		1		



**Tongue Pull Hitch Assembly - RS-320/340/350H**

## Tongue Pull Hitch Assembly - RS-320/340/350H

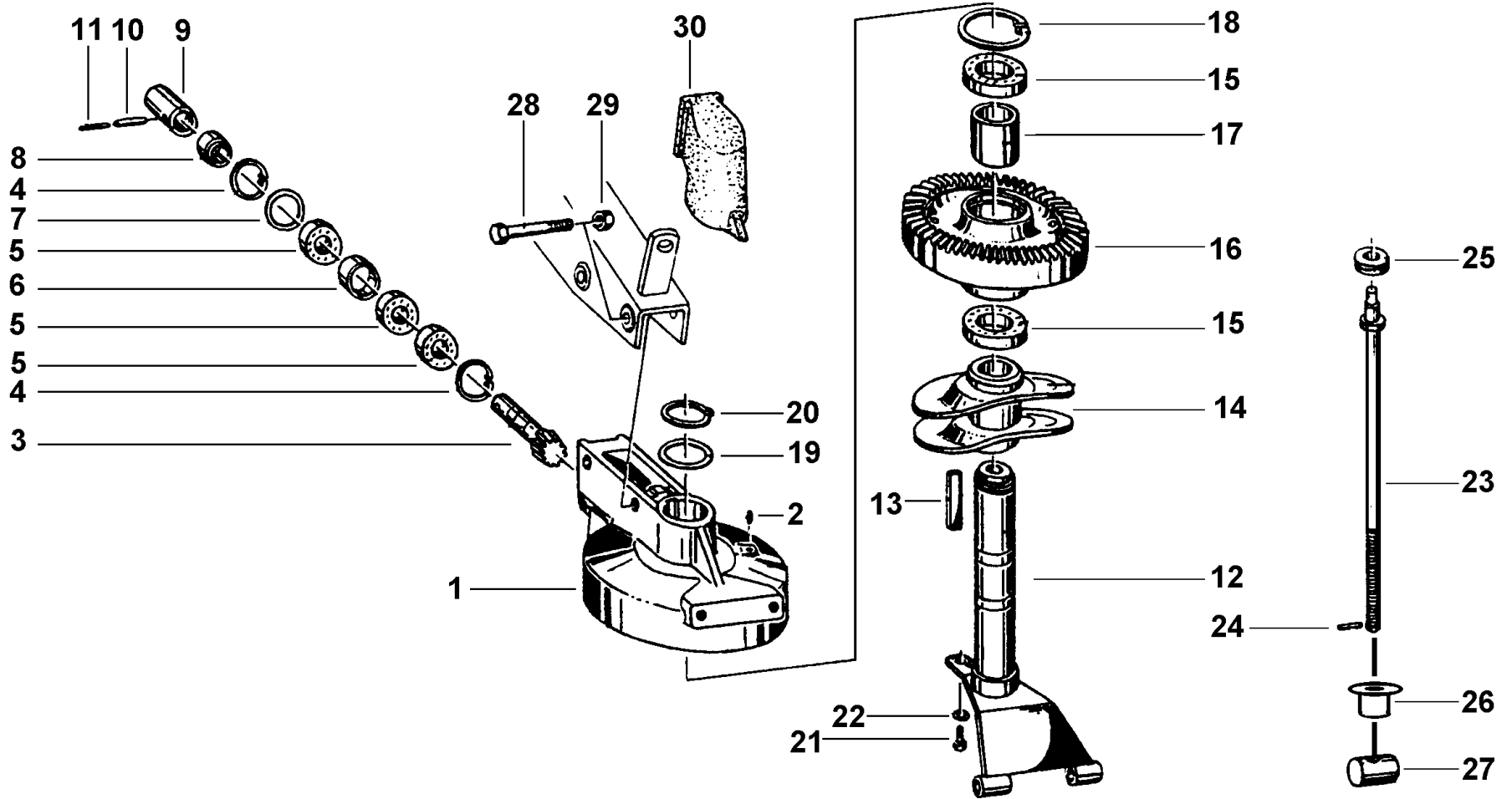
Item	Part Number	Description	Serial # Ranges	RS-300D	RS-320	RS-320D	RS-340	RS-340D	RS-350H	Notes
1	16204	Tongue	46101 & After		1		1		1	
	12915	Tongue	46100 & Prior		1		1		1	
2	10214	Hitch Pin			1		1		1	
3	15049	Cord			1		1		1	1250mm Long (50")
4	570.229	Spring Clip			1		1		1	6 vZ DIN 11024
5	500.553	Hex Bolt			1		1		1	M20 X 150 DIN 931 8.8
6	520.143	Washer			1		1		1	21 X 33 X 2.5 DIN 433
7	510.453	Nut			1		1		1	M20 DIN 980 8
8	12917	Tongue Leveling Screw			1		1		1	
9	530.094	Tension Pin			1		1		1	8 X 40 DIN 1481
10	12814	Handle			2		2		1	012814G
11	530.090	Tension Pin			2		2		1	8 X 30 DIN 1481
12	12918	Pin Nut			1		1		1	
13	530.097	Tension Pin			4		4		4	8 X 55 DIN 1481
14	510.317	Nut	49,999 & Prior		2		2		2	M24L DIN 936 8.8
	510.643	Castle Nut	50,000 & Later		1		1		1	
15	12916	Pin Nut			1		1		1	
16	12919	Carrying Frame			1		1		1	
17	12736	Bearing Bracket			1		1		1	
18	500.510	Hex Bolt			2		2		2	M16 X 55 DIN 931 8.8
19	510.521	Nut			2		2		2	M16 DIN 985 8
20	12793	Guard Tube			1		1		1	
21	12790	Drive Shaft			1		1		1	
22	531.333	Key			1		1		1	A8 X 7 X 40 DIN 6885 C45
23	540.254	Ball Bearing			2		2		2	6306 2RS
24	10125	Collar			1		1		1	
25	531.647	Circlip			2		2		2	J72 X 2.5 DIN 472
26	12103	Splined Shaft			1		1		1	
27	530.112	Tension Pin			1		1		1	10 X 45 DIN 1481
28	530.064	Tension Pin			1		1		1	6 X 45 DIN 1481
29	12921	Height Adjusting Crank			1		1			
31	12372	Joint	55,863 & Prior		2		2			X12526
32	530.043	Tension Pin	55,863 & Prior		2		2			5 X 32 DIN 1481
33	530.091	Tension Pin	55,863 & Prior		2		2			8 X 32 DIN 1481
34	12373	Pin	55,863 & Prior		2		2			
35	12374	Joint	55,863 & Prior		1		1			012374G
36	12375	Pin	55,863 & Prior		2		2			
37	610.700	Protective Cover			1		1		1	



**Tongue Pull Hitch Assembly - RS-320/340/350H**

## Tongue Pull Hitch Assembly - RS-320/340/350H

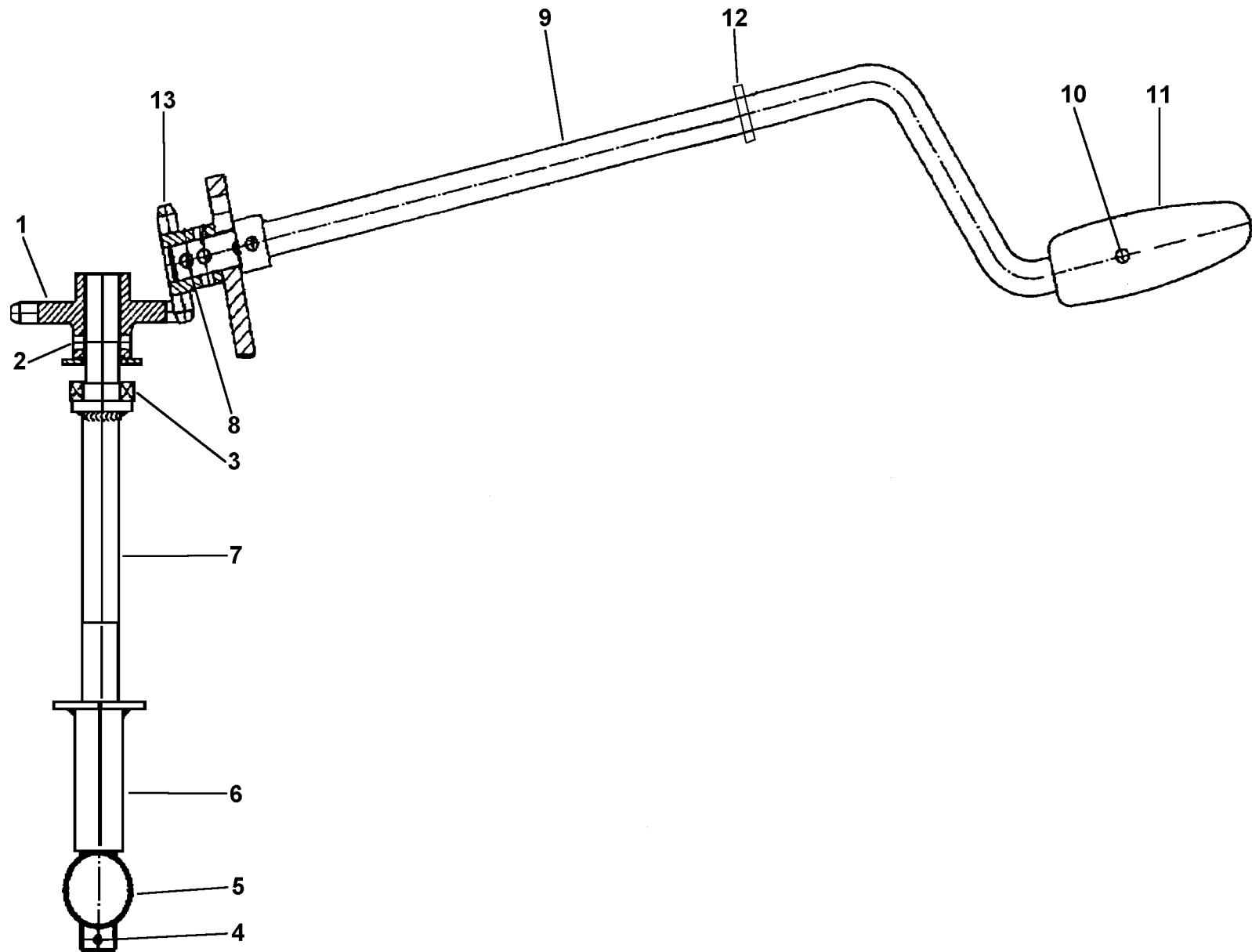
Item	Part Number	Description	Serial # Ranges	RS-300D	RS-320	RS-320D	RS-340	RS-340D	RS-350H	Notes
38	610.570	Clamp			1		1		1	
39	503.126	Hex Bolt			1		1		1	M5 X 25 vz DIN 985
40	510.602	Nut			1		1		1	M5



Main Gearbox

## Main Gearbox

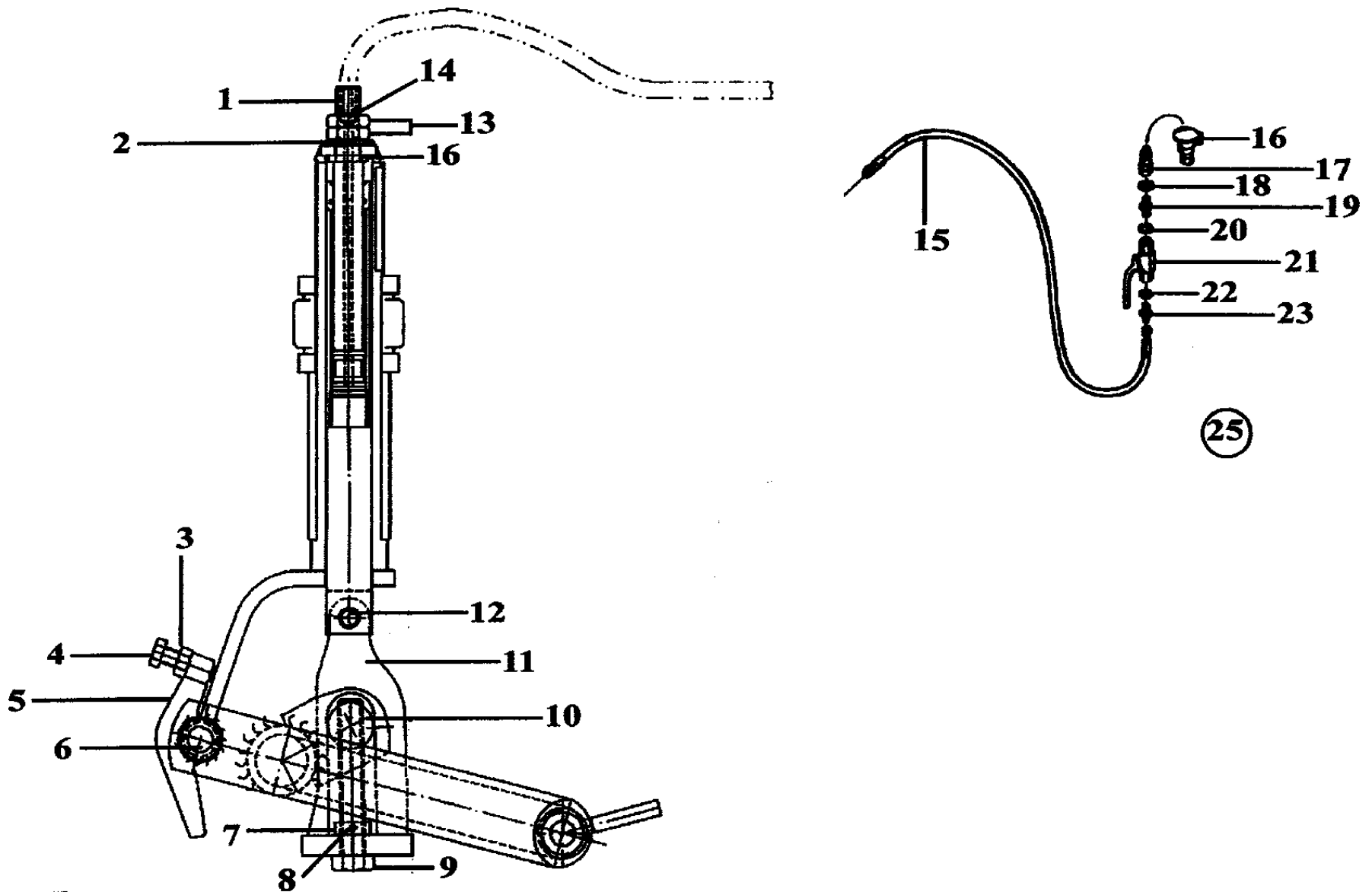
Item	Part Number	Description	Serial # Ranges	RS-300D	RS-320	RS-320D	RS-340	RS-340D	RS-350H	Notes
1	12713	Gearbox Housing		1	1	1	1	1	1	012713G
2	570.265	Grease Nipple		1	1	1	1	1	1	H1S 8 X 1
3	12771	Pinion Shaft		1	1	1	1	1	1	
4	531.640	Circlip		2	2	2	2	2	2	J62 X 2 DIN 472
5	540.156	Ball Bearing		3	3	3	3	3	3	6206 2RS C3
6	12794	Spacer		1	1	1	1	1	1	
7	520.356	Shim		X	X	X	X	X	X	50 X 62 X .1
	520.357	Shim		X	X	X	X	X	X	50 X 62 X .2
	520.359	Shim		X	X	X	X	X	X	50 X 62 X .5
8	12792	Spacer		1		1		1		
9	12928	Drive Coupler Bushing			1		1		1	
	12791	Drive Coupler Bushing		1		1		1		
10	530.131	Tension Pin		1	1	1	1	1	1	12 X 50 DIN 1481
11	530.081	Tension Pin		1	1	1	1	1	1	7 X 50 DIN 1481
12	12798	Rotor Shaft		1	1	1	1	1	1	
13	531.343	Key		1	1	1	1	1	1	B18 X 7 X 88 DIN 6885
14	12394	Cam Track		1	1	1	1	1	1	
15	540.099	Ball Bearing		2	2	2	2	2	2	6013 2RS
16	12782	Pinion		1	1	1	1	1	1	Z=77
17	12799	Spacer		1	1	1	1	1	1	
18	531.657	Circlip		1	1	1	1	1	1	J100 X 3 DIN 472
19	520.379	Shim		X	X	X	X	X	X	65 X 85 X .1 DIN 988
	520.380	Shim		X	X	X	X	X	X	65 X 85 X .3 DIN 988
20	531.541	Circlip		1	1	1	1	1	1	A65 X 2.5 DIN 471
21	500.782	Hex Bolt		1	1	1	1	1	1	M12 X 25 DIN 933 8.8
22	520.534	Lockwasher		1	1	1	1	1	1	12 DIN 128 vz
23	12796	Spindle		1	1	1	1	1		
24	530.040	Tension Pin		1	1	1	1	1		5 X 24 DIN 1481
25	540.505	Ball Bearing		1	1	1	1	1		51105
26	12783	Stop Bushing		1	1	1	1	1		
27	12797	Spindle Nut		1	1	1	1	1		
28	501.029	Hex Bolt		2	2	2	2	2	2	M16 X 1.5 X 125 DIN 960
29	510.538	Nut		2	2	2	2	2	2	M16 X 1.5 DIN 985 8
30	12830	Cover		1	1	1	1	1		
	600.376	Cover		1	1	1	1	1		



**Crank Handle & Gear - Serial Number 55863 & Later**

## Crank Handle & Gear - Serial Number 55863 & Later

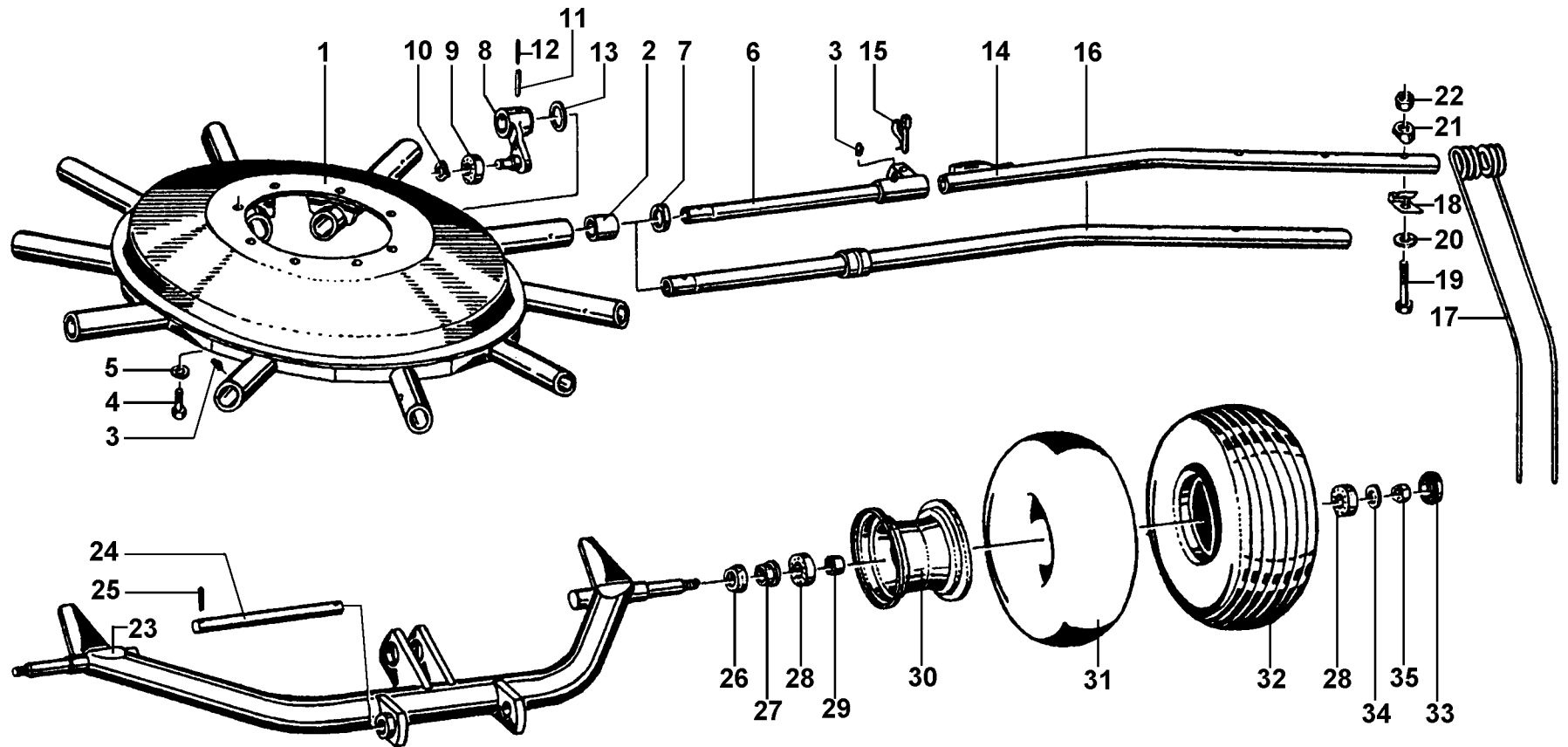
Item	Part Number	Description	Serial # Ranges	RS-300D	RS-320	RS-320D	RS-340	RS-340D	RS-350H	Notes
1	16279	Sprocket	55863 & Later	1	1	1	1	1		
2	530.046	Tension Pin	55863 & Later	1	1	1	1	1		5 X 45 DIN 1481
	530.095	Tension Pin	55863 & Later	1	1	1	1	1		8 X 45 DIN 1481
3	540.505	Grooved Ball Bearing	55863 & Later	1	1	1	1	1		51105
4	530.040	Tension Pin	55863 & Later	1	1	1	1	1		5 X 24 DIN 1481
5	12797	Spindle Nut	55863 & Later	1	1	1	1	1		
6	12783	Stop	55863 & Later	1	1	1	1	1		
7	16509	Spindle	55863 & Later	1	1	1	1	1		
8	530.092	Tension Pin	55863 & Later	1	1	1	1	1		8 X 35 DIN 1481
	530.044	Tension Pin	55863 & Later	1	1	1	1	1		5 X 35 DIN 1481
9	12921	Crank	55863 & Later	1	1	1	1	1		
10	530.090	Tension Pin	55863 & Later	1	1	1	1	1		8 X 30 DIN 1481
11	12814	Crank Handle	55863 & Later	1	1	1	1	1		
12	520.152	Washer	55863 & Later	1	1	1	1	1		21 X 40 X 2
13	12922	Pinion	55863 & Later	1	1	1	1	1		



Hydraulic Lift - RS-350H

## Hydraulic Lift - RS-350H

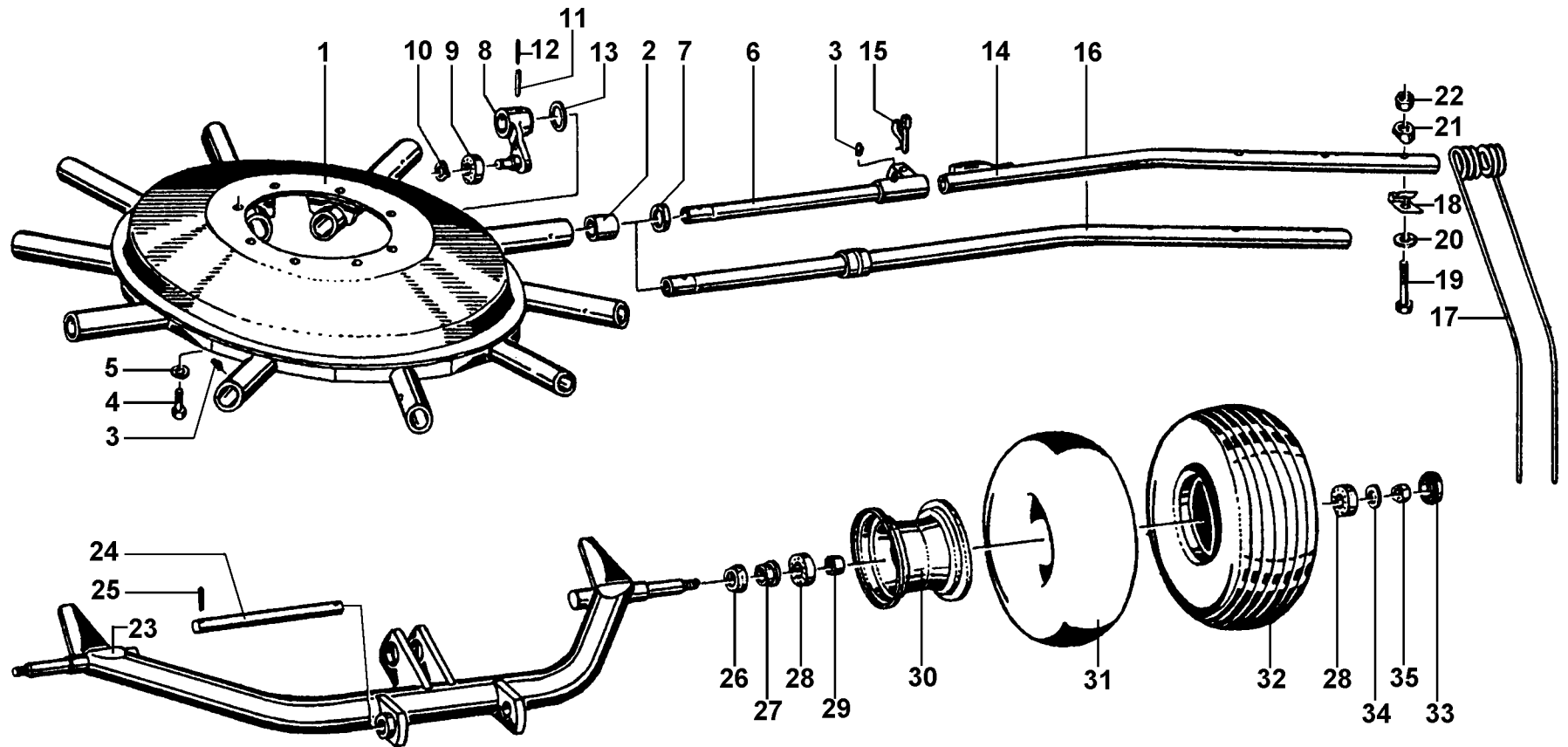
Item	Part Number	Description	Serial # Ranges	RS-300D	RS-320	RS-320D	RS-340	RS-340D	RS-350H	Notes
1	16536	Hydraulic Cylinder							1	
2	560.712	Washer							1	
3	510.235	Nut							1	M16 DIN 934
4	500.824	Bolt							1	M16 X 50 DIN 934
5	16614	Limit Stop							1	
6	16615	Bushing							1	
7	16534	Collar							1	
8	530.078	Tension Pin							1	7 X 36 DIN 1481
9	16533	Tension Bolt							1	
10	12797	Spindle Nut							1	
11	16535	Fork Complete							1	
12	16538	Pin							1	
	530.045	Tension Pin							1	5 X 40 DIN 1481
13	510.368	Nut							1	M24 DIN 936
14	15302	Throttle Disc							1	
15	580.652	Hydraulic Line							1	
16	580.020	Dust Cap							1	
17	580.019	Connector							1	
18	551.112	Copper Ring Sleeve							1	
19	580.410	Reducer							1	
20	551.113	Copper Ring							1	
21	580.528	Locking Valve							1	
22	551.113	Copper Ring							1	
23	580.362	Coupling Plug							1	
25	580.562	Hydraulic Line Complete							1	



**Rotor and Tine Arm Assembly**

## Rotor and Tine Arm Assembly

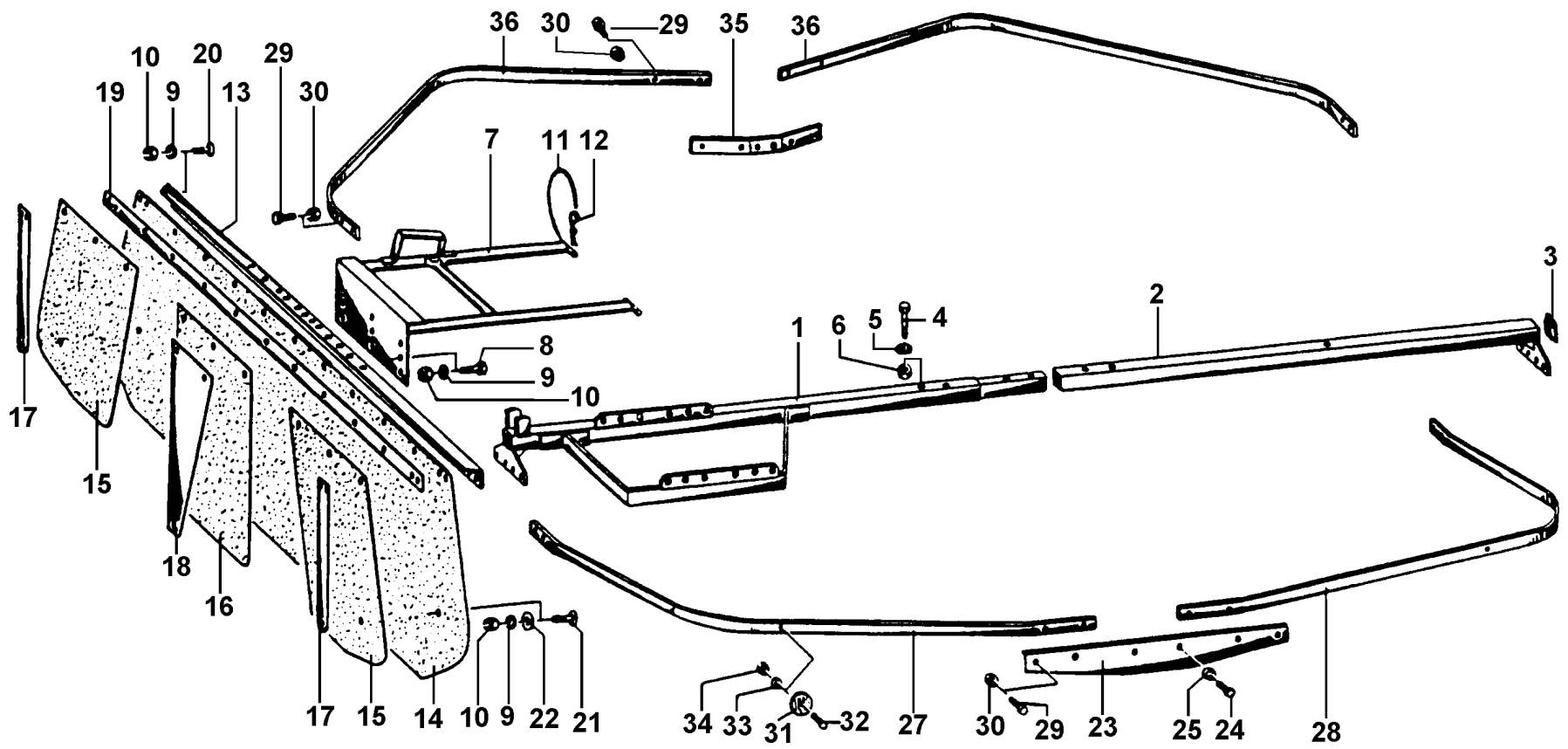
Item	Part Number	Description	Serial # Ranges	RS-300D	RS-320	RS-320D	RS-340	RS-340D	RS-350H	Notes
1	12829	Rotor Bell Housing		1						Includes Item 2
	12808	Rotor Bell Housing			1	1				Includes Item 2
	12393	Rotor Bell Housing					1	1	1	Includes Item 2
2	541.723	Bushing		16	18	18	20	20	20	34H9 X 39H7 X 40
3	570.265	Grease Nipple		8	9	9	10	10	10	H1S 8 X 1
4	500.784	Hex Bolt		8	8	8	8	8	8	M12 X 30 DIN 933 8.8
5	520.534	Lockwasher		8	8	8	8	8	8	12 DIN 128 vz
6	12587	Pivot Arm						10		"A" Model Only
7	12082	Washer						10		"A" Model Only
8	12561	Cam Lever - Follower		8	9	9	10	10	10	
9	541.402	Cam Bearing		8	9	9	10	10	10	529 960A
10	531.500	Circlip		8	9	9	10	10	10	A17 X 1.5 SD DIN 471
11	530.132	Tension Pin		8	9	9	10	10	10	12 X 55 DIN 1481
12	530.082	Tension Pin		8	9	9	10	10	10	7 X 55 DIN 1481
13	520.468	Support Washer		8	9	9	10	10	10	40 X 50 X 2.5 DIN 988
14	12586	Tine Arm						10		"A" Model Only
15	570.238	Clip Pin						10		"A" Model Only
16	12504	Tine Arm		8						
	12497	Tine Arm			9	9				
	12395	Tine Arm	60285 & Prior				10	10*	10	*Qty 2 on DA
	16566	Tine Arm	60286 & Later				10	10*	10	*Qty 2 on DA
17	600.034	Tine		24	27	27	30	30	30	
18	10168	Tine Holder Clip		24	27	27	30	30	30	
	10299	Tine Mounting Bolt Complete		24	27	27	30	30	30	Includes Items 18-22
19	500.386	Hex Bolt		24	27	27	30	30	30	M12 X 75 DIN 931 8.8
20	520.094	Washer		24	27	27	30	30	30	14 X 35 X 4 vz
21	10205	Clamping Bushing		24	27	27	30	30	30	010205G
22	510.517	Lock Nut		24	27	27	30	30	30	M12 DIN 985 8 vz
23	12800	Carriage Frame		1	1	1	1	1	1	
24	12801	Axle		1	1	1	1	1	1	
25	530.062	Tension Pin		2	2	2	2	2	2	6 X 40 DIN 1481
26	600.524	Inner Cover		2	2	2	2	2	2	
27	551.176	Seal		2	2	2	2	2	2	
28	540.150	Ball Bearing		4	4	4	4	4	4	6205 2z
29	600.517	Spacer		2	2	2	2	2	2	



**Rotor and Tine Arm Assembly**

## Rotor and Tine Arm Assembly

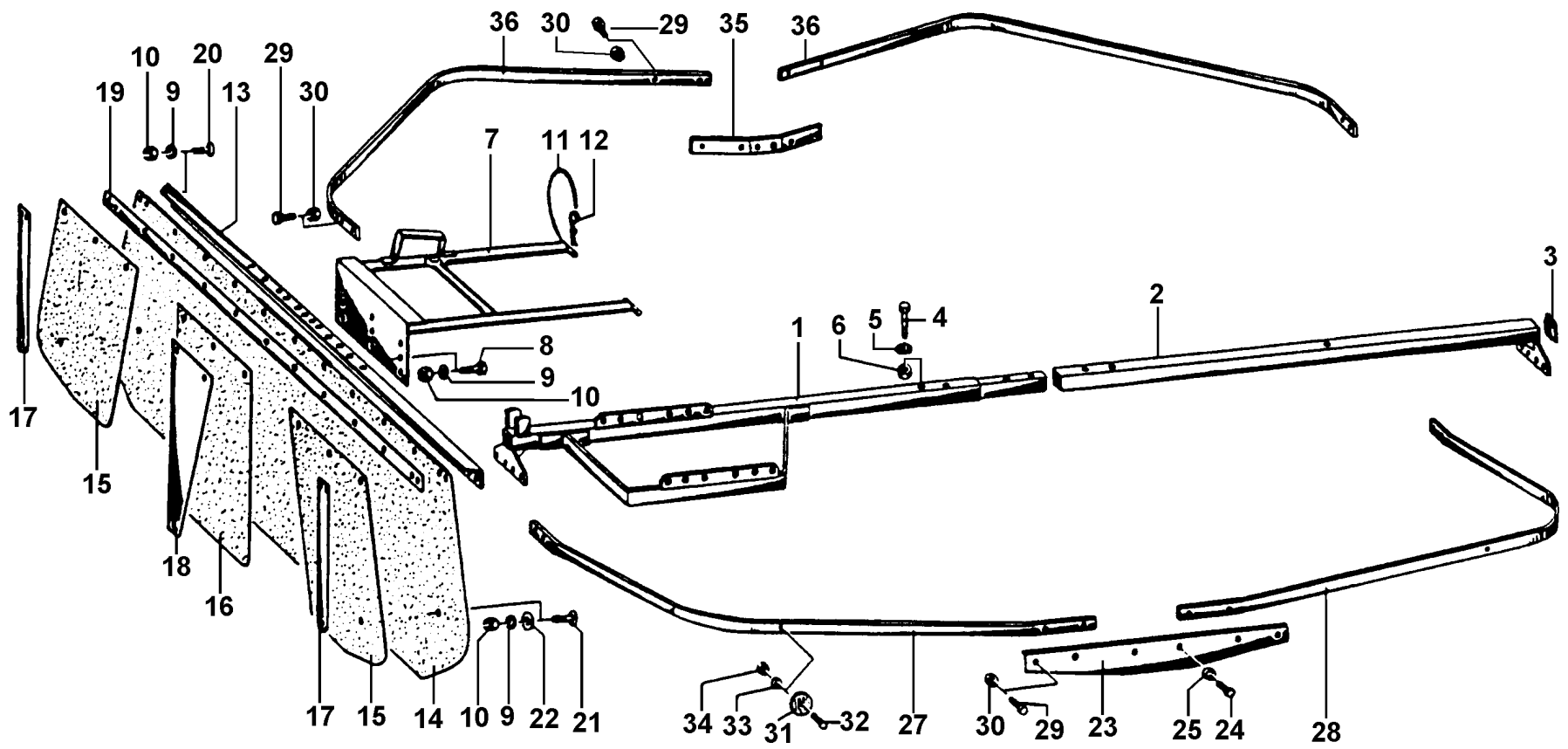
Item	Part Number	Description	Serial # Ranges	RS-300D	RS-320	RS-320D	RS-340	RS-340D	RS-350H	Notes
30	591.024	Rim		2	2	2	2	2	2	4.50 X 6
	591.023	Rim Assembly		2	2	2	2	2	2	Includes Items 27-30 & 33
	591.027	Optional Rim		2	2	2	2	2	2	5.5A X 8
	591.026	Optional Rim Assembly		2	2	2	2	2	2	Includes Items 27-30 & 33
31	591.221	Tube		2	2	2	2	2	2	15 X 6.00/6
32	591.218	Optional Tube		2	2	2	2	2	2	16/6.50 X 8
	591.125	Tire		2	2	2	2	2	2	15 X 6.00/6
	591.350	Tire & Wheel Assembly Complete		2	2	2	2	2	2	Includes Items 27-33
	591.120	Optional Tire		2	2	2	2	2	2	16/6.50 X 8/4 T-510
	591.353	Optional Tire & Wheel Assy. Complete		2	2	2	2	2	2	16/6.50 X 8 - Includes Items 27-33
33	600.518	Hubcap		2	2	2	2	2	2	14 X 35 X 4 vz M12 DIN 985 8 vz
34	520.094	Washer		2	2	2	2	2	2	
35	510.517	Nut		2	2	2	2	2	2	



**Safety Frame & Windrow Former**

## Safety Frame & Windrow Former

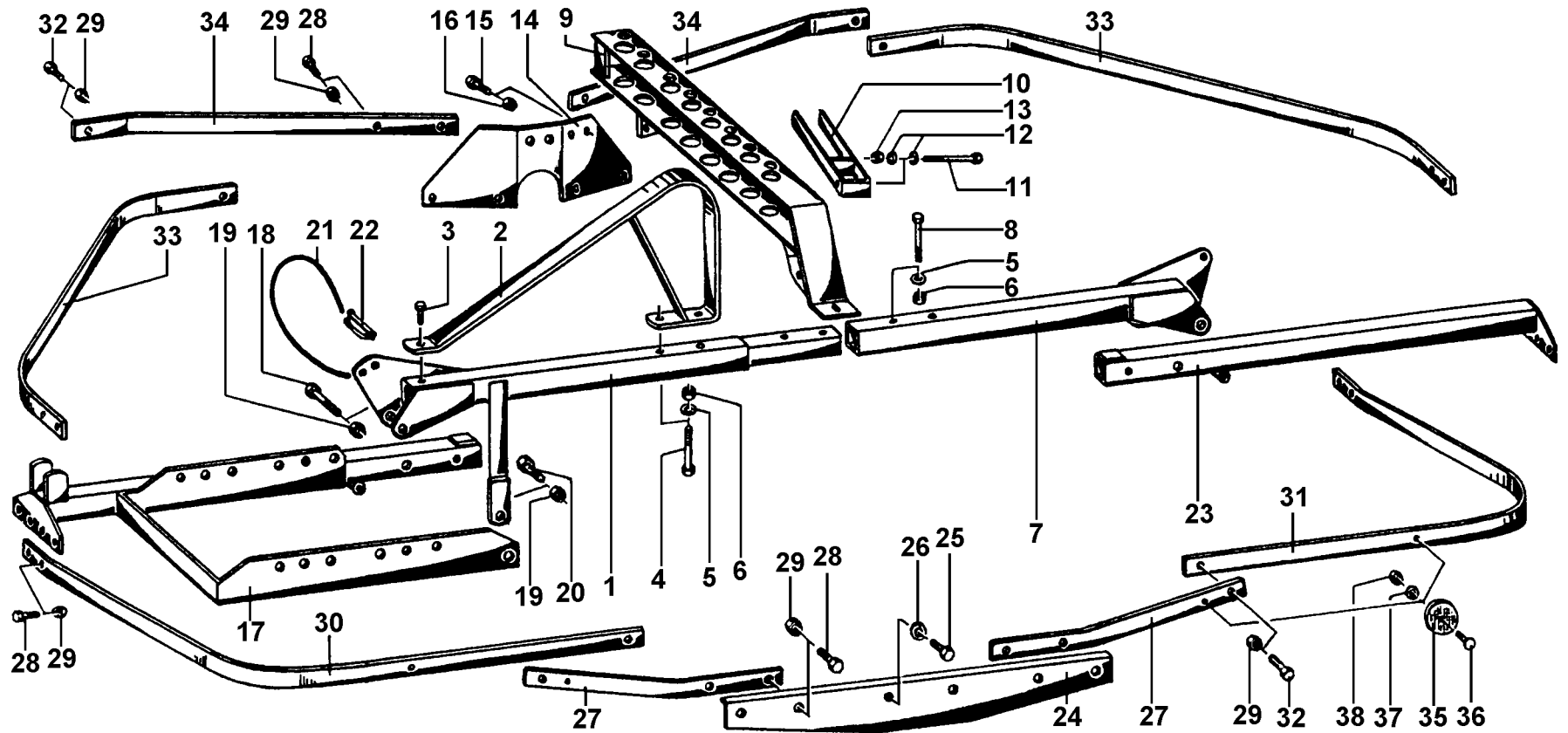
Item	Part Number	Description	Serial # Ranges	RS-300D	RS-320	RS-320D	RS-340	RS-340D	RS-350H	Notes
1	12803	Frame Tube L/H			1	1	1	1	1	
	12825	Frame Tube L/H		1						
2	12804	Frame Tube R/H			1	1	1	1	1	
	12824	Frame Tube R/H		1						
3	600.516	Plug		2	2	2	2	2	2	
4	500.386	Hex Bolt		4	4	4	4	4	4	M12 X 75 DIN 931 8.8
5	520.094	Washer		4	4	4	4	4	4	14 X 35 X 4 vz
6	510.517	Nut		4	4	4	4	4	4	M12 DIN 985 8 vz
7	12807	Windrow Former Bracket		1	1	1	1	1	1	
8	500.749	Hex Bolt		3	3	3	3	3	3	M8 X 30 DIN 933 8.8
9	520.532	Lockwasher		16	16	16	16	16	16	8 DIN 128
10	510.223	Hex Nut		16	16	16	16	16	16	M8 DIN 934
11	15050	Cord		1	1	1	1	1	1	500mm Long
12	570.226	Spring Clip		1	1	1	1	1	1	4 DIN 11024 vz
13	12358	Angle Bracket		1	1	1	1	1	1	
14	600.195	Windrow Skirt		1	1	1	1	1	1	
15	600.234	Stiffener Plate		2	2	2	2	2	2	
16	600.235	Stiffener Plate		1	1	1	1	1	1	
17	12845	Support		2	2	2	2	2	2	
18	12844	Support		1	1	1	1	1	1	
19	12359	Rail		1	1	1	1	1	1	
20	502.641	Carriage Head Bolt		7	7	7	7	7	7	M8 X 25 DIN 603 8.8
21	502.625	Carriage Head Bolt		3	3	3	3	3	3	M8 X 20 DIN 603 8.8
22	520.032	Washer		16	16	16	16	16	16	8.4 X 25 X 2 DIN 9021
23	12802	Rear Mounting Plate		1	1	1	1	1	1	
24	500.762	Hex Bolt		2	2	2	2	2	2	M10 X 30 DIN 933 8.8
25	520.533	Lockwasher		2	2	2	2	2	2	10 vz DIN 128
27	12806	Safety Frame Rear L/H			1	1	1	1	1	
	12827	Safety Frame Rear L/H & R/H		1						
28	12862	Safety Frame Rear R/H			1	1	1	1	1	
29	500.772	Hex Bolt		16	16	16	16	16	16	M10 X 30 DIN 933 8.8
30	510.512	Nut		16	16	16	16	16	16	M10 DIN 985 8
31	570.452	Reflector		2	2	2	2	2	2	R86
32	502.237	Tapered Head Bolt		2	2	2	2	2	2	M5 X 30 DIN 963 5
33	520.014	Washer		2	2	2	2	2	2	5.5 X 10 X 1 DIN 126
34	510.504	Nut		2	2	2	2	2	2	M5 vz DIN 985
35	12920	Front Frame Mounting Bracket			1		1		1	
	12795	Front Frame Mounting Bracket		1		1		1		



**Safety Frame & Windrow Former**

## Safety Frame & Windrow Former

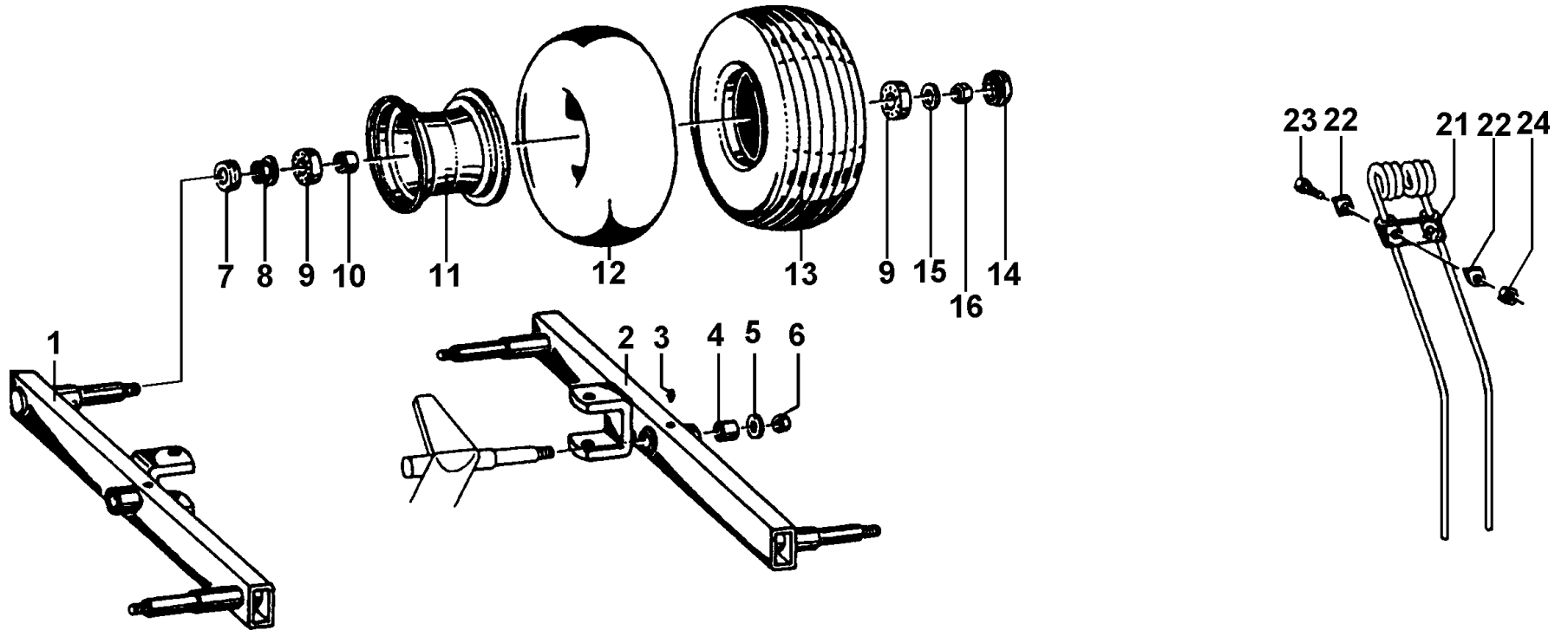
Item	Part Number	Description	Serial # Ranges	RS-300D	RS-320	RS-320D	RS-340	RS-340D	RS-350H	Notes
36	12805 12826	Safety Frame Front L/H & R/H Safety Frame Front L/H & R/H		1	1	1	1	1	1	



**Safety Frame & Windrow Former - RS-340DA**

## Safety Frame & Windrow Former - RS-340DA

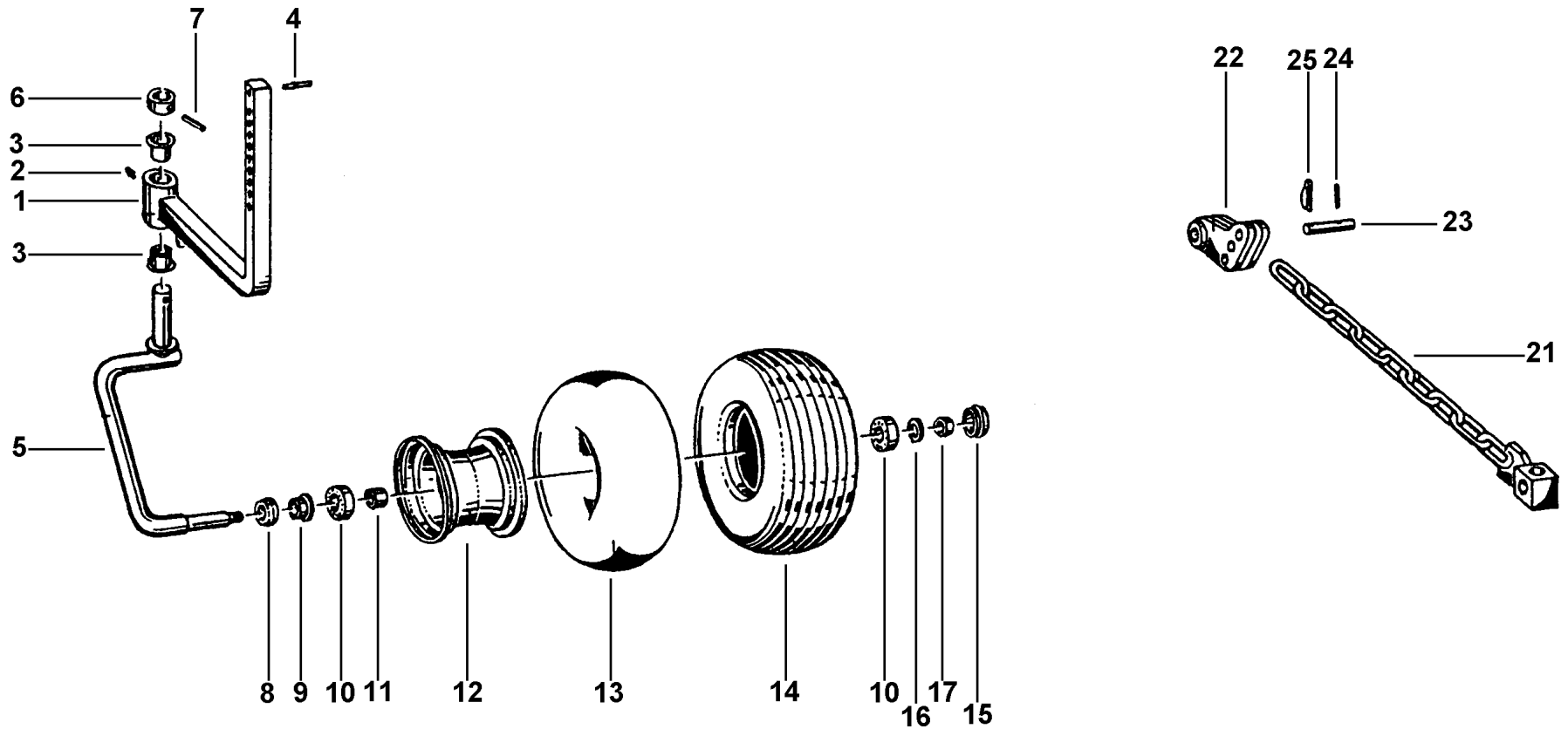
Item	Part Number	Description	Serial # Ranges	RS-300D	RS-320	RS-320D	RS-340	RS-340D	RS-350H	Notes
1	12887	Frame Tube L/H						1		
2	12891	Bracket						1		
3	500.771	Hex Bolt						1		M10 X 25 DIN 933
4	500.415	Hex Bolt						2		M12 X 80 DIN 931 10.9
5	520.094	Washer						4		14 X 35 X 4 vz
6	510.517	Nut						4		M12 DIN 985 8 vz
7	12890	Frame Tube R/H						1		
8	500.386	Hex Bolt						2		M12 X 75 DIN 931 8.8
9	12892	Tine Arm Holder						1		
10	12905	Bracket						1		
11	500.465	Hex Bolt						1		M10 X 110 DIN 931 8.8
12	560.703	Spring Washer						1		20 X 10.2 X 1.1
13	510.225	Nut						1		M10 DIN 934
14	12893	Front Safety Frame Bracket						1		
15	500.784	Hex Bolt						2		M12 X 30 DIN 933 8.8
16	510.228	Nut						2		M12 DIN 934
17	12889	Windrow Former Arm						1		
18	500.390	Hex Bolt						1		M16 X 75 DIN 931 vz
19	510.452	Nut						2		M16 DIN 980 8
20	500.837	Hex Bolt						1		M16 X 40 DIN 933
21	15050	Cord						1		500mm Long (20")
22	570.233	Clip Pin						1		10v
23	12888	Mounting Arm						1		
24	12802	Rear Safety Frame Bracket						1		
25	500.762	Hex Bolt						2		M10 X 30 DIN 933
26	520.533	Lockwasher						2		10vz DIN 128
27	12896	Safety Frame Rear L/H & R/H						2		
28	500.772	Hex Bolt						16		M10 X 30 DIN 933 8.8
29	510.512	Nut						20		M10 DIN 985 8
30	12895	Safety Frame Rear L/H						1		
31	12894	Safety Frame Rear R/H						1		
32	500.776	Hex Bolt						4		M10 X 35 DIN 933 8.8
33	12897	Safety Frame Front L/H & R/H						2		
34	12898	Safety Frame Side L/H & R/H						2		
35	570.452	Reflector						2		R86
36	502.237	Tapered Head Bolt						2		M5 X 30 DIN 963 5.6
37	520.014	Washer						2		5.5 X 10 X 1 DIN 985
38	510.504	Nut						2		M5 DIN 985



**Quadro Axle Assembly - Tine Savers**

## Quadro Axle Assembly - Tine Savers

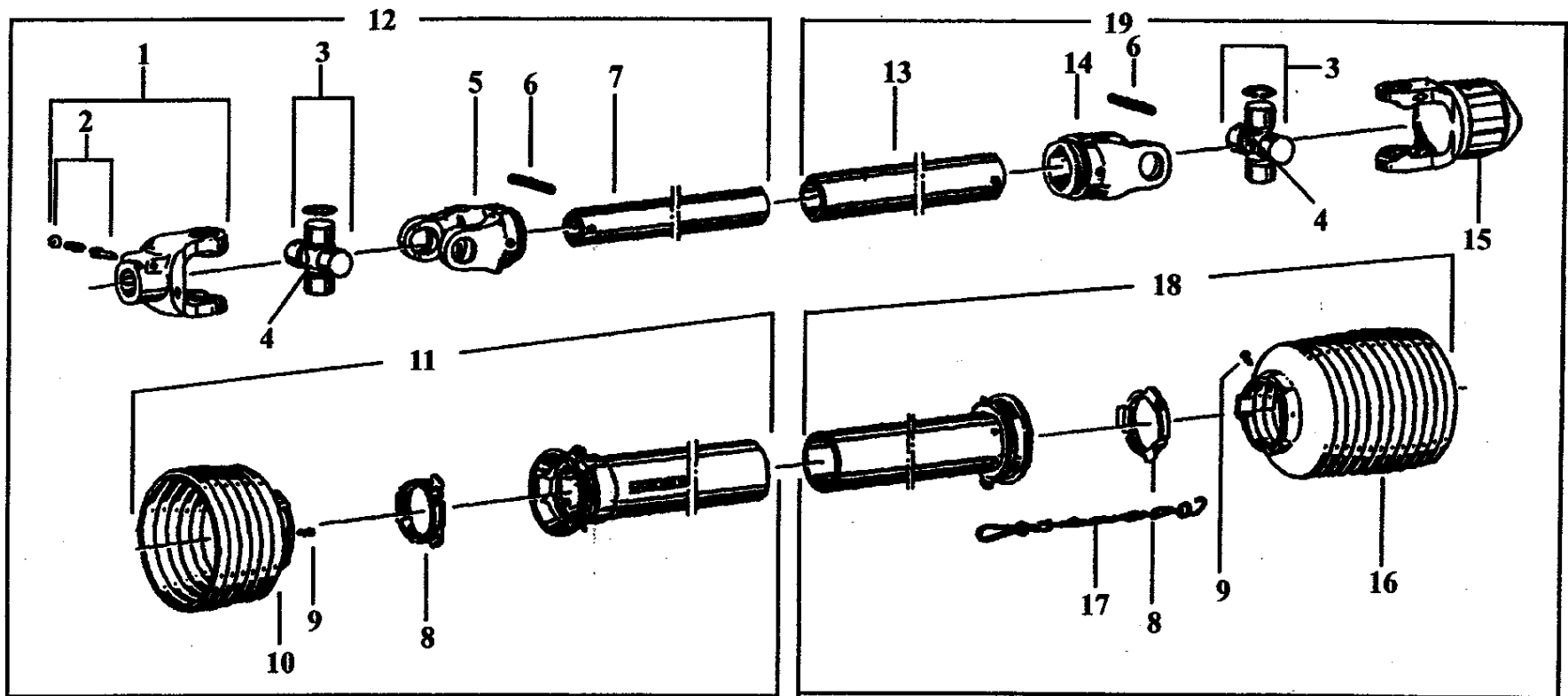
Item	Part Number	Description	Serial # Ranges	RS-300D	RS-320	RS-320D	RS-340	RS-340D	RS-350H	Notes
1	12863	Quadro Axle L/H			1	1	1	1	1	
2	12864	Quadro Axle R/H			1	1	1	1	1	
3	570.265	Grease Nipple			2	2	2	2	2	H1S 8 X 1
4	541.785	Bushing			2	2	2	2	2	25/25 DU
5	520.094	Washer			2	2	2	2	2	14 X 35 X 4
6	510.451	Nut			2	2	2	2	2	M12 DIN 980 8
7	600.524	Cover			4	4	4	4	4	
8	551.176	Seal			4	4	4	4	4	942070005
9	540.150	Ball Bearing			8	8	8	8	8	6205 2Z
10	600.517	Spacer			4	4	4	4	4	
11	591.024	Rim			4	4	4	4	4	4.50 X 6
	591.023	Rim Complete			4	4	4	4	4	Includes Items 8-11 & 14
12	591.221	Tube			4	4	4	4	4	15 X 6.00/6
13	591.125	Tire			4	4	4	4	4	15 X 6.00/6
	591.350	Tire & Wheel Assembly Complete			4	4	4	4	4	Includes Items 8-14
14	600.518	Dust Cap			4	4	4	4	4	
15	520.094	Washer			4	4	4	4	4	14 X 35 X 4
16	510.517	Nut			4	4	4	4	4	M12 DIN 985 8
21	600.527	Tine Saver Bracket		24	27	27	30	30	30	
	12903	Tine Saver Complete		24	27	27	30	30	30	Includes Items 21-24
22	10385	Washer		48	54	54	60	60	60	
23	500.431	Hex Bolt		48	54	54	60	60	60	M6 X 30 DIN 931 8.8
24	510.505	Nut		48	54	54	60	60	60	M6 DIN 985 8



**Three Point Hitch Support - Flotation Wheel (Optional)**

## Three Point Hitch Support - Flotation Wheel (Optional Equipment)

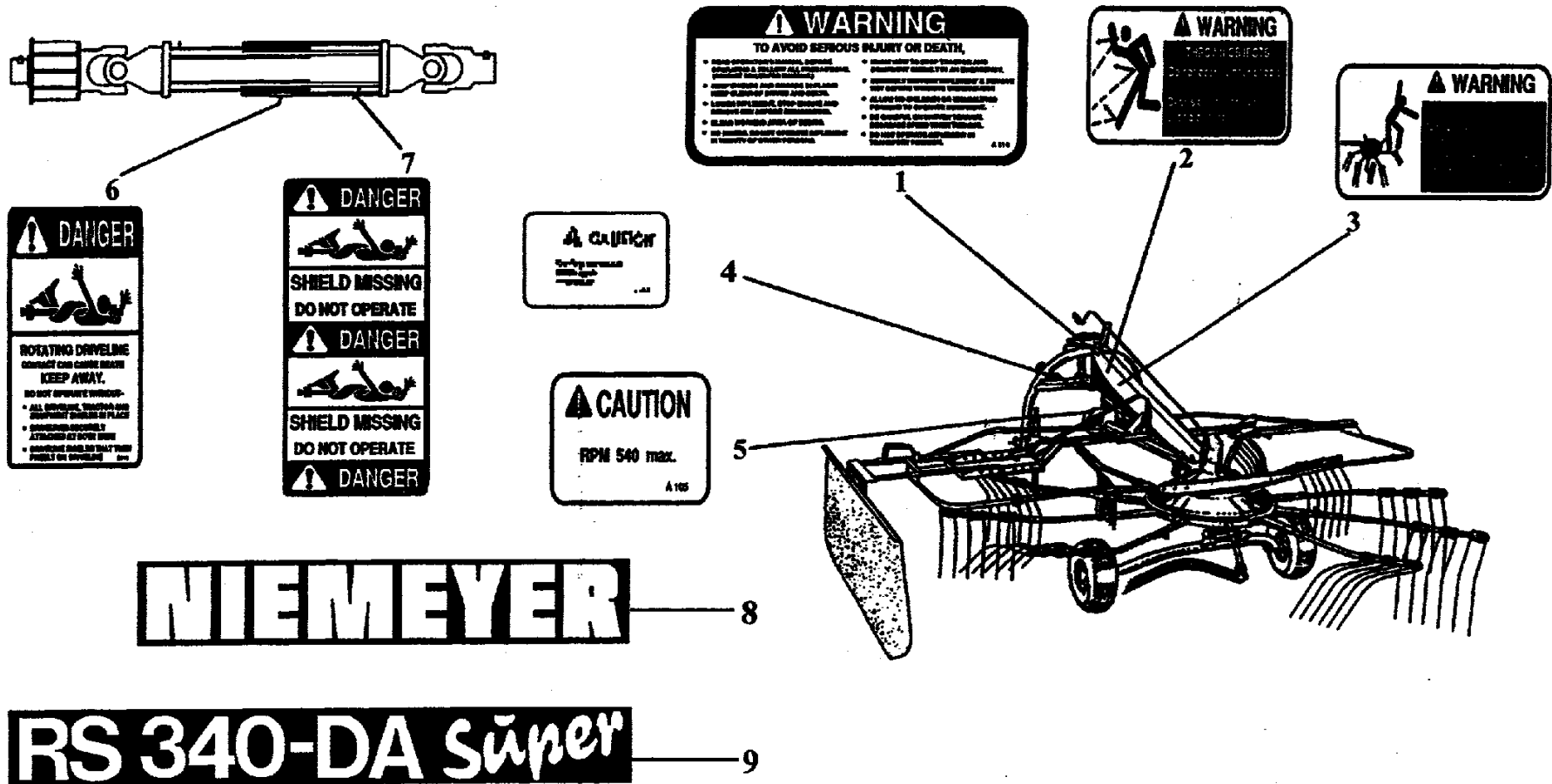
Item	Part Number	Description	Serial # Ranges	RS-300D	RS-320	RS-320D	RS-340	RS-340D	RS-350H	Notes
1	12831	Axle Mounting Bracket		1		1		1		
2	570.265	Grease Nipple		1		1		1		H1S 8 X 1
3	541.741	Bushing		2		2		2		30/34/42 X 26 DU BB-87
4	530.063	Tension Pin		1		1		1		6 X 40 DIN 1481
5	12832	Wheel Axle Strut		1		1		1		
6	12835	Collar		1		1		1		
7	530.095	Tension Pin		1		1		1		8 X 45 DIN 1481
8	600.524	Inner Cover		1		1		1		
9	551.176	Seal		1		1		1		942070005
10	540.150	Ball Bearing		2		2		2		6205 2Z
11	600.517	Spacer		1		1		1		
12	591.024	Rim		1		1		1		4.50 X 6.00 2
	591.023	Rim Complete		1		1		1		Includes Items 9-12 & 15
13	591.221	Tube		1		1		1		15 X 6.00/6
14	591.125	Tire		1		1		1		15 X 6.00/6
	591.350	Tire & Wheel Complete		1		1		1		Includes Items 10-15
15	600.518	Cover		1		1		1		
16	520.094	Washer		1		1		1		14 X 35 X 4
17	510.517	Nut		1		1		1		M12 DIN 985 8
21	12555	Chain		1		1		1		
22	12554	Mounting Bracket		1		1		1		
23	12556	Pin		1		1		1		
24	530.045	Tension Pin		1		1		1		5 X 40 DIN 1481
25	570.245	Clip Pin		1		1		1		5 DIN 110023
26	790.131	Flotation Wheel Complete		1		1		1		Includes Items 1-7
27	790.138	Chain Holder Complete		1		1		1		Includes Items 21-25



PTO Shaft

## PTO Shaft

Item	Part Number	Description	Serial # Ranges	RS-300D	RS-320	RS-320D	RS-340	RS-340D	RS-350H	Notes
1	790.147	PTO Shaft Complete		1	1	1				W2100-05-610-K32 500NM
	790.148	PTO Shaft Complete					1	1	1	W2200-15-960-K33 600NM
	610.000	Yoke		1	1	1				040154
2	610.003	Yoke					1	1	1	041049
	610.043	QD Pin		1	1	1	1	1	1	339107
3	610.050	Cross Kit		2	2	2				040116
4	610.052	Cross Kit					2	2	2	044439
	610.047	Grease Nipple		2	2	2	2	2	2	084099
	610.015	Yoke, Inner Profile Tube		1	1	1				040444
5	610.018	Yoke, Inner Profile Tube					1	1	1	041065
	530.106	Tension Pin		2	2	2				8 X 50 DIN 1481
7	530.116	Tension Pin					2	2	2	10 X 65 DIN 1481
	610.184	Inner Profile Tube		1	1	1				050813
8	610.216	Inner Profile Tube					1	1	1	319981
	610.929	Protective Cone Bearing		2	2	2				356263
9	610.927	Protective Cone Bearing					2	2	2	365347
10	610.046	Screw		2	2	2	2	2	2	365305
	610.683	Protective Cone		2	2	2				359005
11	610.681	Protective Cone					2	2	2	087279
	610.893	PTO Shield Front Half		1	1	1				378891
12	610.894	PTO Shield Front Half					1	1	1	164322
	610.411	Front PTO Half Complete		1	1	1				163483
13	610.412	Front PTO Half Complete					1	1	1	187002
	610.202	Outer Profile Tube		1	1	1				050802
14	610.238	Outer Profile Tube					1	1	1	050086
	610.022	Yoke, Outer Profile Tube		1	1	1				040456
15	610.025	Yoke, Outer Profile Tube					1	1	1	041068
	610.108	Ratchet Clutch - K32 (500 NM)		1	1	1				351073
16	610.113	Ratchet Clutch - K33 (600 NM)					1	1	1	359660
	610.930	Protective Cone					1	1	1	365349
17	610.566	Safety Chain		1	1	1	1	1	1	044321
18	610.908	PTO Shield Rear Half		1	1	1				378890
	610.909	PTO Shield Rear Half					1	1	1	185518
19	610.358	Rear PTO Half Complete		1	1	1				356704
	610.357	Rear PTO Half Complete					1	1	1	356726



# Safety Decals

## Safety Decals

Item	Part Number	Description	Serial # Ranges	RS-300D	RS-320	RS-320D	RS-340	RS-340D	RS-350H	Notes
1	646.013	Warning Decal - General		1	1	1	1	1	1	
2	646.002	Warning Decal - Thrown Objects		1	1	1	1	1	1	
3	646.001	Warning Decal - Entanglement		1	1	1	1	1	1	
4	646.007	Warning Decal - Transport Lock		1	1	1	1	1	1	
5	646.004	Warning Decal - PTO Speed		1	1	1	1	1	1	
6	646.010	Warning Decal - PTO Shield		1	1	1	1	1	1	
7	646.240	Warning Decal - Shield Missing		1	1	1	1	1	1	
8	646.019	Decal - Niemeyer		2	2	2	2	2	2	
9	646.257	Decal - RS-300D		2						
	646.265	Decal - RS-320D				2				
	646.249	Decal - RS-340D Super						2		
	646.272	Decal - RS-340DA Super						2		