

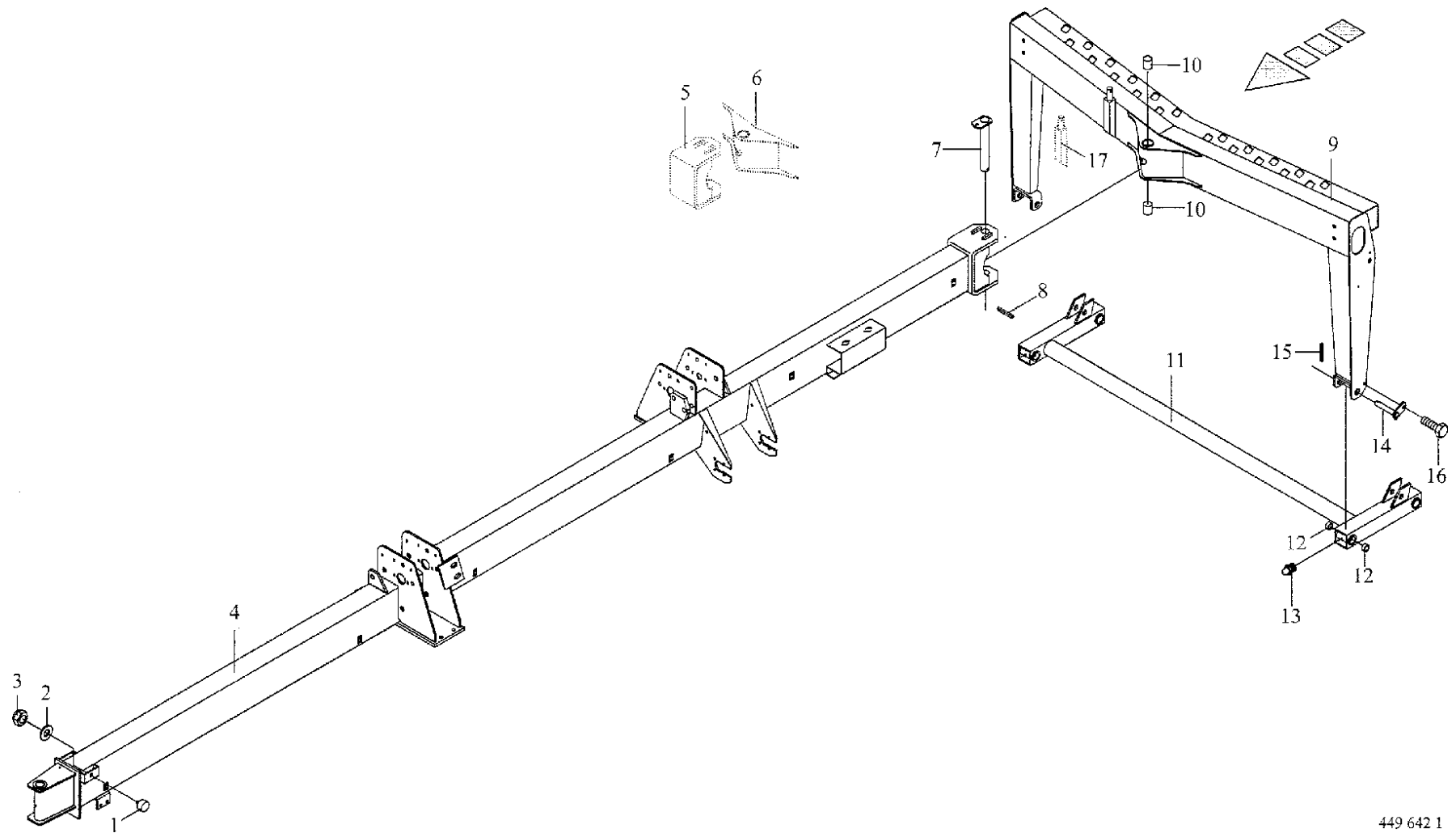
## Table Of Contents

Headstock .....	2	Rear Gearbox .....	42
Main Frame - KS-1201 .....	4	Rear Gearbox .....	44
Main Frame - KS-1201A .....	6	Rotor Locking Mechanism .....	46
Rear Wheels .....	8	Rotor Lift Hydraulics .....	48
Steering Rod - KS-1201 .....	10	Rotor Lift Hydraulics .....	50
Steering Rod - KS-1201A .....	12	Rear Frame Hydraulics - KS-1201 ....	52
Steering Rod - KS-1201A .....	14	Rear Frame Hydraulics - KS-1201A..	54
Rotor Arm Inner .....	16	Right Front Rotor Safety Frame .....	56
Rotor Arm Outer .....	18	Left Rear Rotor Safety Frame .....	58
Rotor Gearbox .....	20	Left Rear Rotor Safety Frame .....	60
Cam Track Right Front .....	22	Rotor Height Crank Handle .....	62
Cam Track Left Rear .....	24	Warning Panels .....	64
Inner Tine Arm .....	26	Lighting .....	66
Outer Tine Arm .....	28	Main PTO Shaft .....	68
Tine Savers .....	30	Wing PTO Shaft .....	70
Rotor Undercarriage .....	32	Wide Angle Universal Joint .....	72
Rotor Undercarriage .....	34	Double Universal Joint .....	74
Intermediate Shaft .....	36	General Information Decals .....	76
Front Gearbox .....	38	Warning Decals .....	78
Front Gearbox .....	40		



## Headstock

Item	Part Number	Description	Serial # Ranges	KS-1201	KS-1201A	Notes
1	260.470.0	Jack Stand		X	X	4
2	917.104.0	Spring Clip		X	X	
3	340.104.2	Tension Spring		X	X	
4	260.468.0	Strap		X	X	
5	908.721.0	Hex Nut		X	X	
						NM 20
6	912.130.1	Cotter Pin		X	X	8 X 45
7	908.701.0	Hex Nut		X	X	M12
10	154.566.0	PTO Shaft Holder		X	X	
11	922.650.0	Chain		X	X	
12	909.922.0	Cup Spring		X	X	
13	910.864.0	Shim		X	X	30 X 42 X 1.0
14	900.688.0	Hex Head Bolt		X	X	M20 X 50
15	266.580.1	Headstock		X	X	
16	910.659.0	Washer		X	X	32 X 70 X 8
17	912.670.0	Roll Pin		X	X	8 X 40
18	266.578.0	Pin		X	X	Rd. 40 X 320
19	912.672.0	Roll Pin		X	X	8 X 50
20	919.105.0	Grease Fitting		X	X	AM 8 X 1
21	910.661.0	Washer		X	X	41 X 56 X 4.0
22	155.621.0	Roller		X	X	Includes Item 23
23	934.906.0	Bushing		X	X	3526 DU
24	911.134.0	Shim		X	X	35 X 45 X 1.0
25	900.610.0	Hex Head Bolt		X	X	M8 X 10
26	155.622.0	Guard		X	X	
27	925.009.0	Plastic Guard		X	X	
28	910.413.0	Washer		X	X	A 8.4

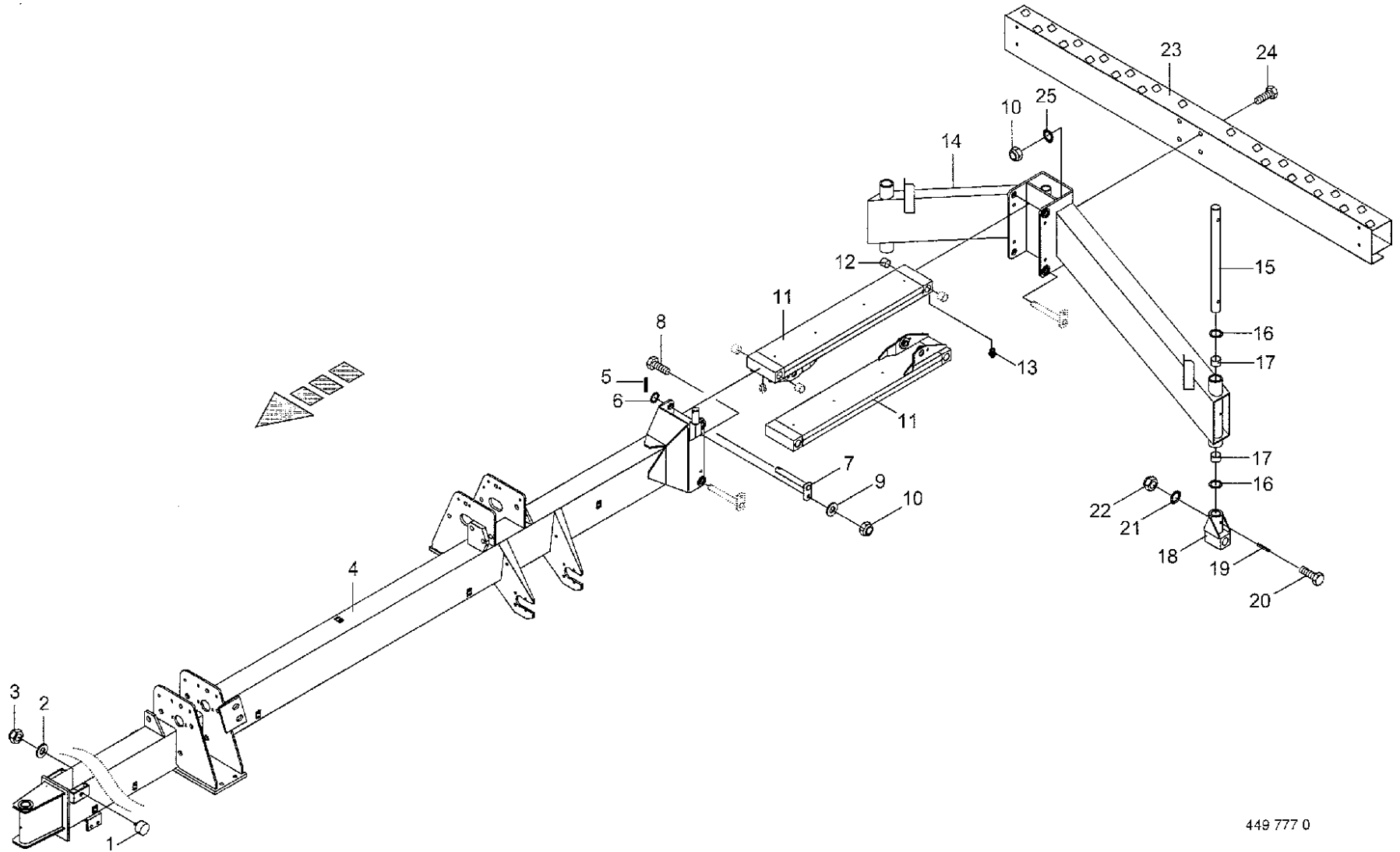


449 642 1

# Main Frame - KS-1201

## Main Frame - KS-1201

Item	Part Number	Description	Serial # Ranges	KS-1201	KS-1201A	Notes
1	185.523.1	Rubber Pad		X		11 X 48 X 5 M10
2	910.639.1	Washer		X		
3	908.758.0	Hex Nut		X		
4	266.500.0	Frame		X		
5	266.506.0	Yoke Back		X		
6	266.699.0	Bearing		X		Includes Item 10
7	155.383.1	Front Pin		X		10 X 60
8	912.718.0	Roll Pin		X		
9	266.680.0	Frame		X		4050 DU
10	934.935.0	Bearing Bushing		X		
11	266.692.0	Axle		X		
12	934.919.0	Bearing Bushing		X		MB 3015 DU
13	919.107.0	Grease Fitting		X		CM 8 X 1
14	266.528.0	Pin		X		10 X 60
15	912.718.0	Roll Pin		X		
16	900.634.0	Hex Head Bolt		X		M10 X 20
17	266.468.0	Pin		X		

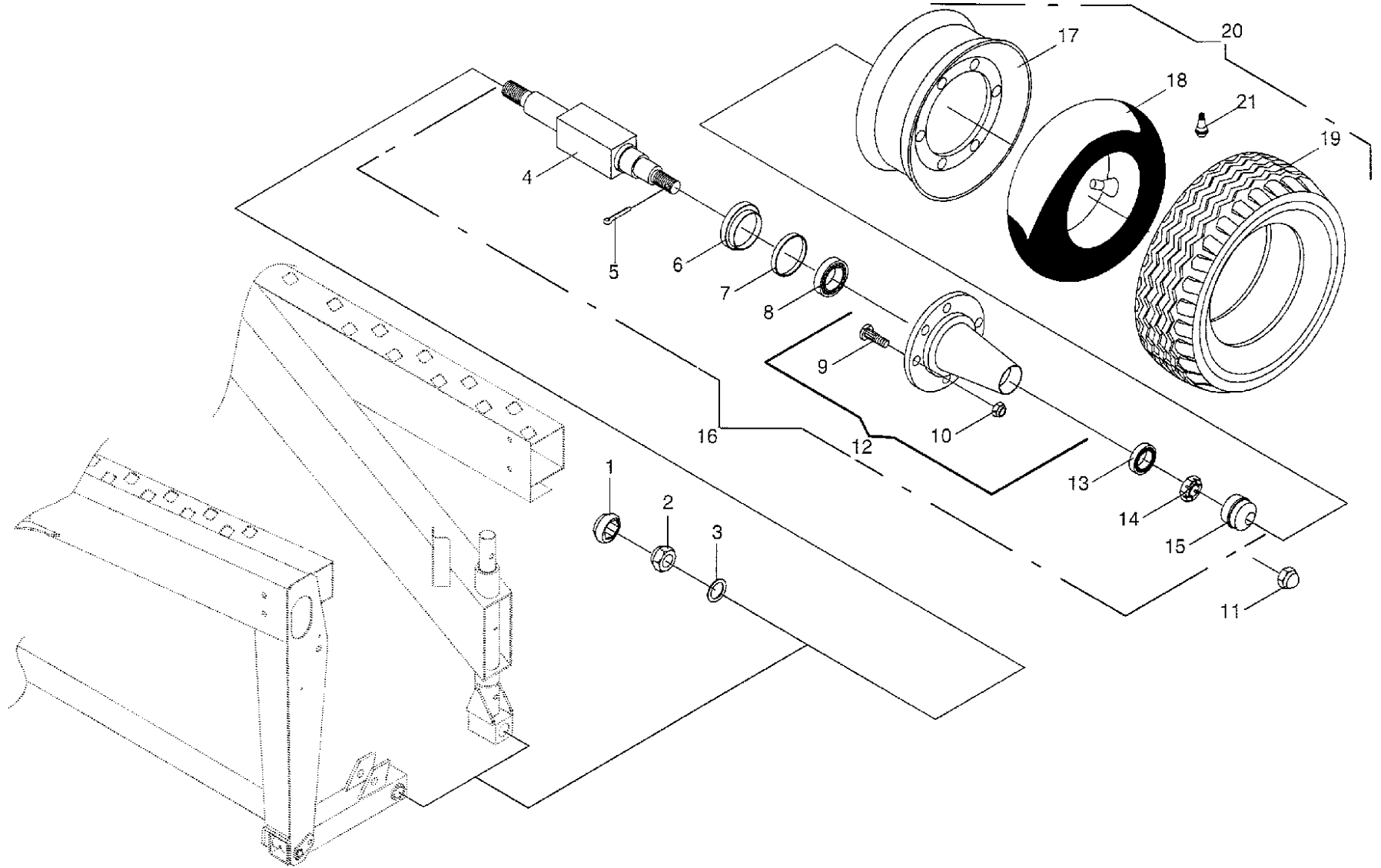


449 777 0

# Main Frame - KS-1201A

## Main Frame - KS-1201A

Item	Part Number	Description	Serial # Ranges	KS-1201	KS-1201A	Notes
1	185.523.1	Rubber Pad			X	
2	910.639.1	Washer			X	11 X 48 X 5
3	908.758.0	Hex Nut			X	M10
4	266.705.0	Frame			X	
5	912.646.0	Roll Pin			X	6 X 50
6	910.516.1	Washer			X	33 X 56 X 4
7	266.784.0	Pin			4	
8	900.299.1	Hex Head Bolt			X	M12 X 35
9	910.506.0	Washer			X	13 X 24 X 2.5
10	908.701.0	Hex Nut			X	M12
11	266.786.0	Support			X	Includes Items 12 & 13
12	934.909.0	Bushing			X	BB 3026 DU
13	919.105.0	Grease Fitting			X	AM 8 X 1
14	266.744.0	Frame			X	
15	266.718.0	Shaft			X	Rd. 40 X 538
16	910.661.0	Washer			X	41 X 56 X 4.0
17	934.905.0	Bushing			X	4026 DU
18	266.715.0	Axle Journal			X	
19	912.529.0	Roll Pin			X	13 X 60
20	901.008.0	Hex Head Bolt			X	M8 X 80
21	909.908.0	Detent Edged Washer			X	SKM 8
22	908.706.0	Hex Nut			X	M8
23	266.752.0	Tine Carrier			X	
24	901.465.0	Hex Head Bolt			X	M12 X 150
25	909.910.0	Detent Edged Washer			X	SKM 12

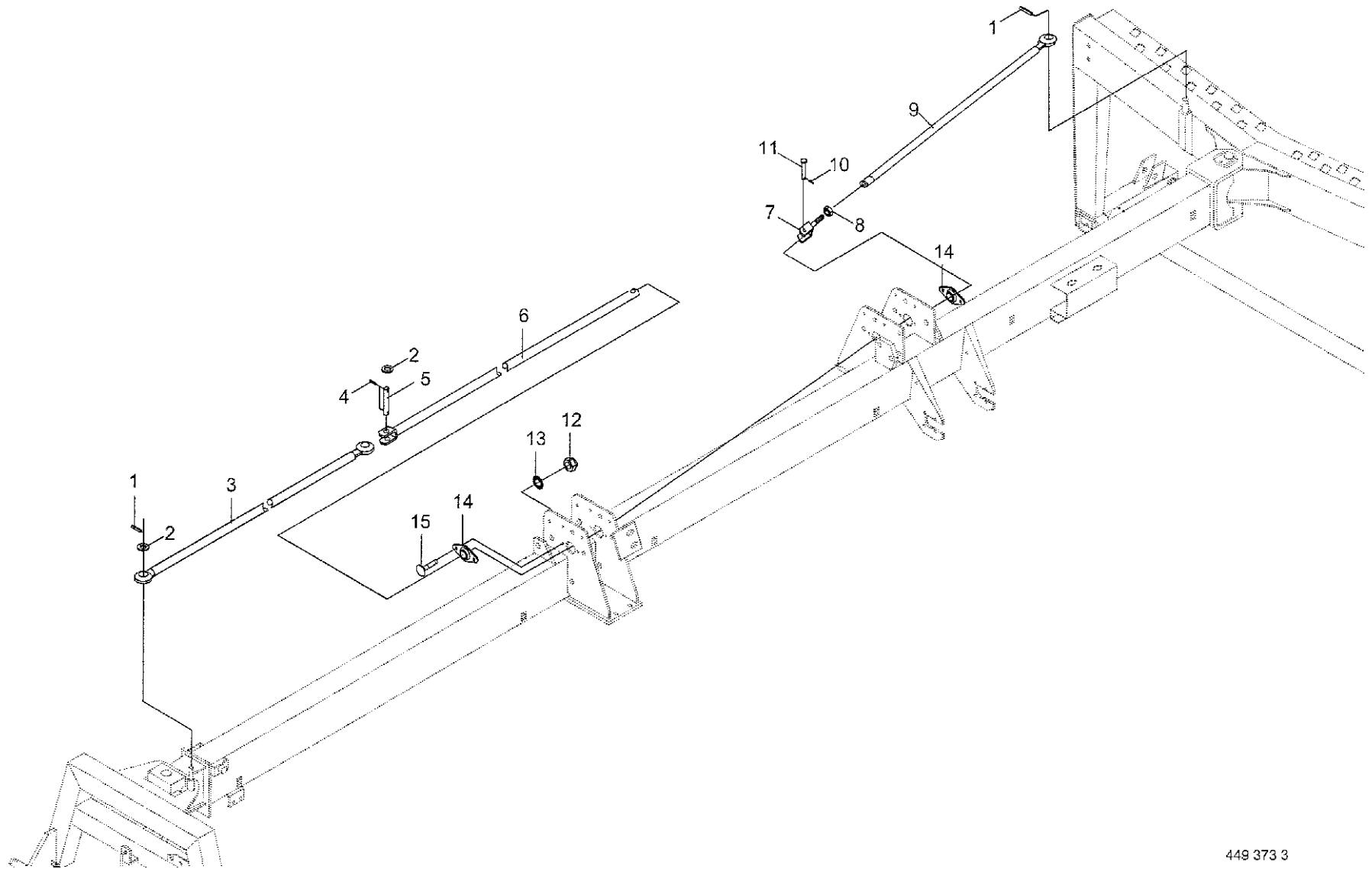


# Rear Wheels



## Rear Wheels

Item	Part Number	Description	Serial # Ranges	KS-1201	KS-1201A	Notes
1	938.625.0	Hex Protective Cap		X	X	SW 46
2	908.732.0	Hex Nut		X	X	NM 30 X 1.5
3	910.702.0	Washer		X	X	S 30 X 42 X 2.5
4	952.618.0	Axle Body		X	X	BPW
	951.387.0	Axle Body		X	X	ADR
5	912.089.1	Cotter Pin		X	X	5 X 40
6	952.320.0	Push Ring		X	X	BPW
7	952.330.0	Labyrinth Seal		X	X	BPW
	951.301.0	Washer		X	X	ADR - Rd. 45/87
8	932.222.0	Tapered Roller Bearing		X	X	BPW - LM 501310/49
	932.138.0	Tapered Roller Bearing		X	X	ADR - 30309 A
9	910.256.0	Wheel Pin		X	X	BPW - M18 X 1.5 X 46
	951.300.0	Wheel Pin		X	X	ADR - M18 X 1.5 X 54
10	910.225.0	Nut		X	X	BPW/ADR - A 18 X 1.5
11	938.976.0	Protecting Cap		X	X	SW 24
12	952.254.0	Hub		X	X	BPW
	951.309.0	Hub		X	X	ADR
13	932.212.0	Tapered Roller Bearing		X	X	BPW - L 44610/49
	932.105.0	Tapered Roller Bearing		X	X	ADR - 30206 A
14	908.927.0	Castle Nut		X	X	BPW - M24 X 1.5
	908.931.0	Castle Nut		X	X	ADR - M27 X 1.5
15	952.310.1	Wheel Cap		X	X	BPW - Rd. 50.5
	938.834.0	Wheel Cap		X	X	ADR - Rd. 62
16	950.481.1	Axle Journal Complete		X	X	BPW
	950.481.1	Axle Journal Complete		X	X	ADR
17	953.108.0	Rim		X	X	9.00 X 15.3 6 Hole
18	953.308.1	Tube		X	X	10.0/75-15 / 11.5/80-15
19	953.210.0	Tire		X	X	10.0/75-15.3 IMPL 8 PR
20	953.010.0	Wheel		X	X	10.0/75-15.3 IMPL 8 PR
21	953.398.0	Valve Stem		X	X	

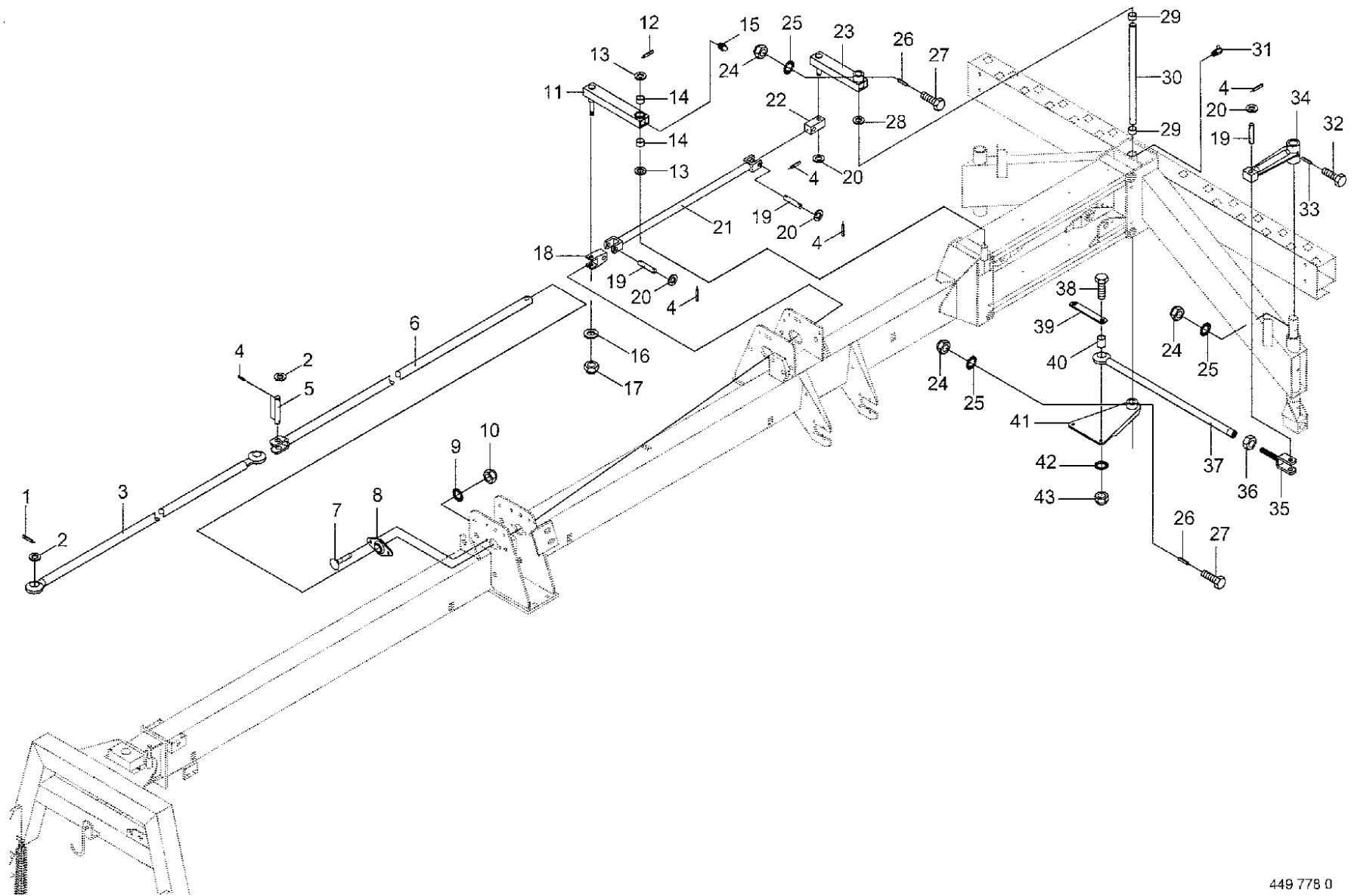


449 373 3

# Steering Rod - KS-1201

## Steering Rod - KS-1201

Item	Part Number	Description	Serial # Ranges	KS-1201	KS-1201A	Notes
1	912.714.0	Roll Pin		X		10 X 40
2	910.514.1	Washer		X		26 X 44 X 4
3	266.491.0	Front Steering Rod		X		
4	912.670.0	Roll Pin		X		8 X 40
5	153.088.0	Pin		X		25 X 104
6	266.493.0	Central Steering Rod		X		
7	266.498.0	Drawbar		X		
8	908.039.0	Hex Nut		X		M30
9	266.669.0	Rear Steering Rod		X		
10	912.584.0	Roll Pin		X		4 X 30
11	916.056.1	Pin		X		16 X 70 60/50 X 4
12	908.210.0	Hex Nut		X		M8
13	909.908.0	Detent Edged Washer		X		SKM 8
14	266.598.0	Steering Rod Bearing		X		
15	904.732.1	Flat Round Bolt		X		M8 X 25

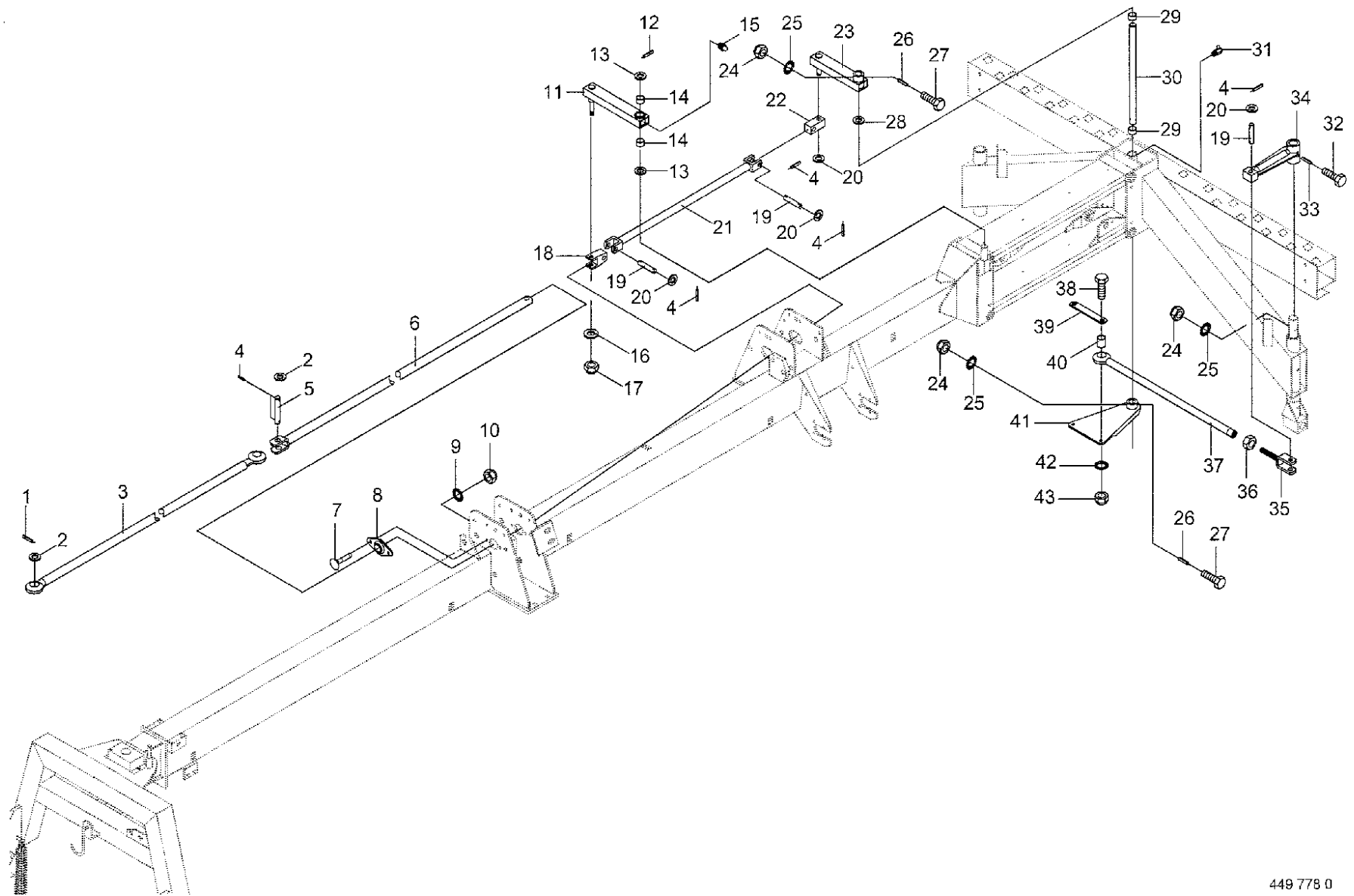


449 778 0

# Steering Rod - KS-1201A

## Steering Rod - KS-1201A

Item	Part Number	Description	Serial # Ranges	KS-1201	KS-1201A	Notes
1	912.714.0	Roll Pin			X	10 X 40
2	910.514.1	Washer			X	26 X 44 X 4
3	266.491.0	Front Steering Rod			X	
4	912.670.0	Roll Pin			X	8 X 40
5	153.088.0	Pin			X	25 X 104
6	266.765.0	Central Steering Rod			X	
7	904.732.1	Flat Round Bolt			X	M8 X 25
8	266.598.0	Steering Rod Bearing			X	
9	909.908.0	Detent Edged Washer			X	SKM 8
10	908.210.0	Hex Nut			X	M8
11	266.825.1	Arm			X	Includes Item 14
12	912.672.0	Roll Pin			X	8 X 50
13	910.702.0	Washer			X	S 30 X 42 X 2.5
14	934.946.0	Bearing Bushing			X	3020 DU
15	919.105.0	Grease Fitting			X	AM 8 X 1
16	910.303.0	Washer			X	17 X 30 X 3
17	908.716.1	Hex Nut			X	M16
18	266.767.0	Coupler			X	
19	153.091.0	Pin			X	Rd. 20 X 98
20	910.512.2	Washer			X	21 X 37 X 3
21	266.768.0	Rear Steering Rod			X	
22	260.103.0	Square Segment			X	
23	266.770.0	Rod			X	
24	908.706.0	Hex Nut			X	M8
25	909.908.0	Detent Edged Washer			X	SKM 8
26	912.776.0	Roll Pin			X	13 X 50
27	901.048.0	Hex Head Bolt			X	M8 X 65
28	910.864.0	Shim			X	30 X 42 X 1.0
29	934.909.0	Bushing			X	BB 3026 DU
30	266.778.0	Shaft			X	
31	919.107.0	Grease Fitting			X	CM 8 X 1
32	901.008.0	Hex Head Bolt			X	M8 X 80
33	912.529.0	Roll Pin			X	13 X 60
34	266.780.0	Control Arm			2	
35	266.829.1	U-Bracket			X	
36	908.225.0	Hex Nut			X	M20
37	266.760.0	Rear Steering Rod			2	
38	901.453.0	Hex Head Bolt			X	M12 X 65

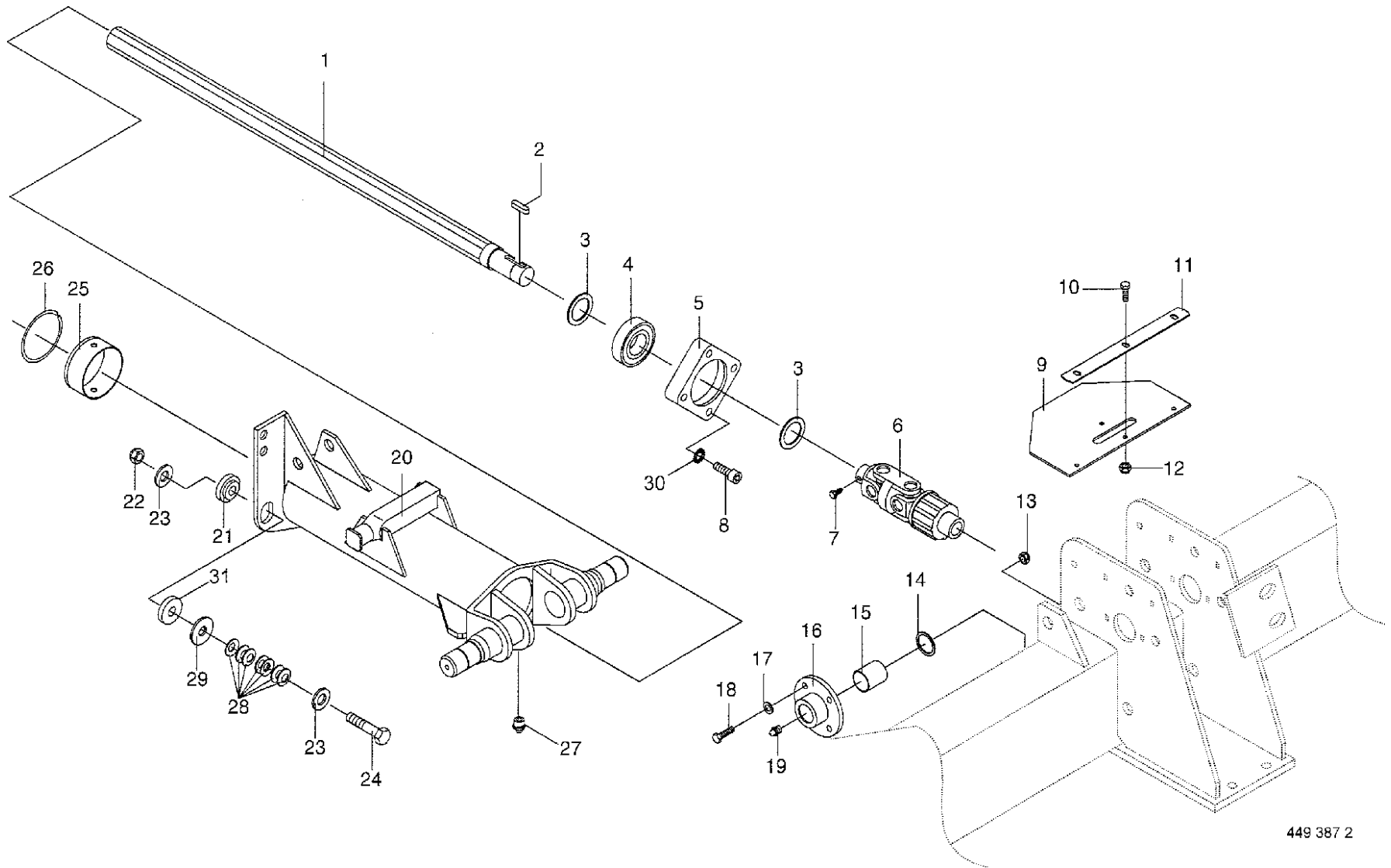


449 778 0

# Steering Rod - KS-1201A

## Steering Rod - KS-1201A

Item	Part Number	Description	Serial # Ranges	KS-1201	KS-1201A	Notes
39	266.777.0	Strap			X	
40	266.776.0	Cover			X	Rd. 20 X 53
41	266.774.0	Pivot			X	
42	909.910.0	Detent Edged Washer			X	SKM 12
43	908.701.0	Hex Nut			X	M12



449 387 2

# Rotor Arm Inner



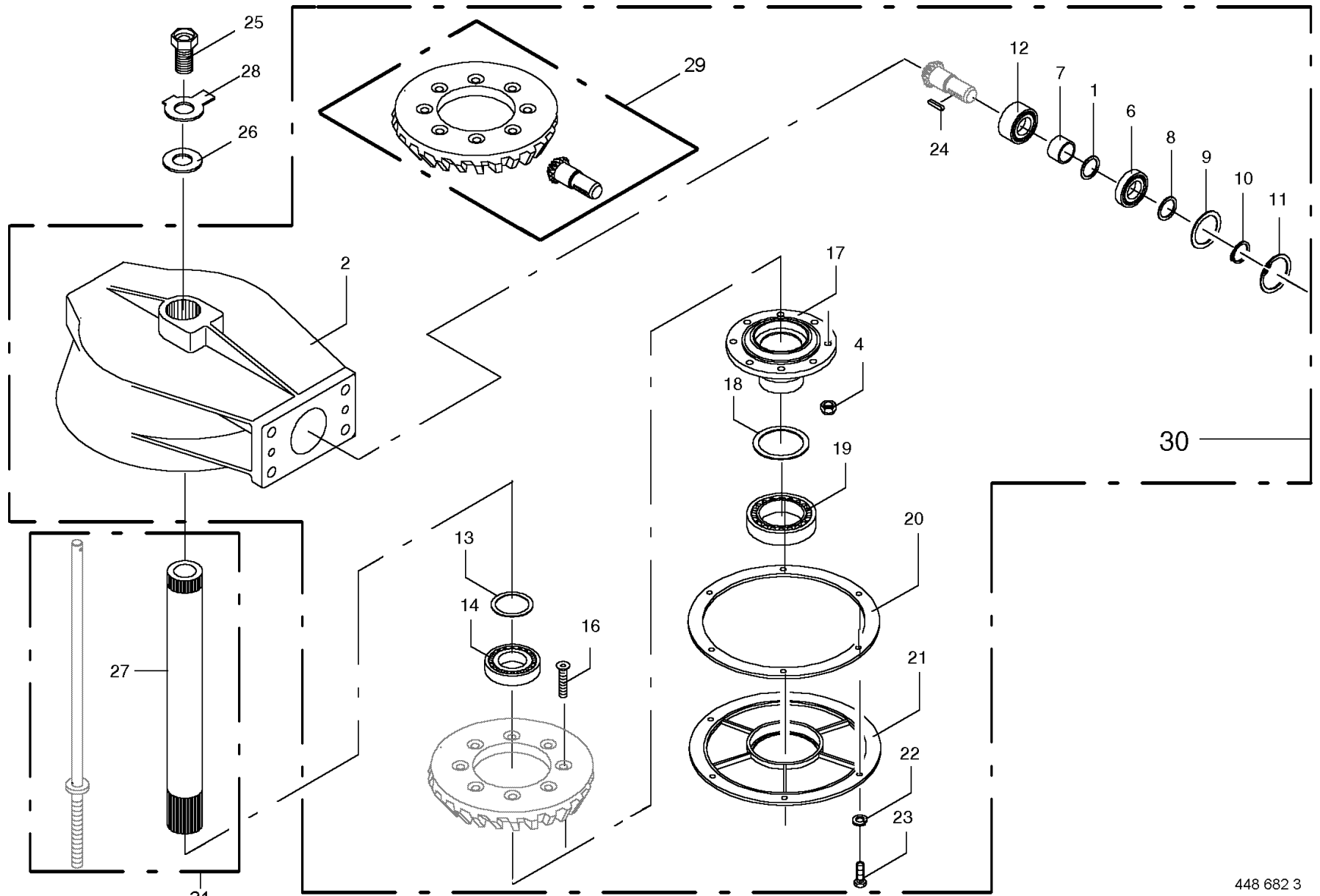
## Rotor Arm Inner

Item	Part Number	Description	Serial # Ranges	KS-1201	KS-1201A	Notes
1	266.544.0	Splined Profile Outside		X	X	
2	915.073.0	Flat Key		X	X	B 8 X 7 X 32
3	910.865.0	Shim		X	X	30 X 42 X 2.0
4	934.612.0	Bearing		X	X	AS 206 LLU
5	265.534.0	Bearing Flange		X	X	
6	949.391.0	Double Universal Joint		X	X	1 3/8" - 6 Spline
7	902.402.0	Hex Head Bolt		X	X	BM10 X 16
8	903.109.0	Allen Screw		X	X	M10 X 35
9	266.593.0	Rubber Plate		X	X	300 X 180 - t=4mm
10	900.617.0	Hex Head Bolt		X	X	M8 X 30
11	265.273.0	Clamping Strap		X	X	
12	908.706.0	Hex Nut		X	X	M8
13	908.701.0	Hex Nut		X	X	M12
14	910.891.0	Shim		X	X	40 X 50 X 1.0
	910.885.0	Shim		X	X	40 X 50 X 2.0
15	934.935.0	Bearing Bushing		X	X	4050 DU
16	154.686.0	Bearing Flange		X	X	Includes Item 15
17	910.506.0	Washer		X	X	13 X 24 X 2.5
18	900.658.0	Hex Head Bolt		X	X	M12 X 40
19	919.105.0	Grease Fitting		X	X	AM 8 X 1
20	266.540.0	Wing Arm		X	X	
21	266.541.0	Brake Disc		X	X	Pa 66 32 X 75
22	908.716.1	Hex Nut		X	X	NM 16
23	909.912.0	Detent Edged Washer		X	X	SKM 16
24	901.142.1	Hex Head Bolt		X	X	M16 X 110
25	265.269.0	Bearing Bushing		X	X	113 X 123 X 40
26	911.803.0	Snap Ring		X	X	B 125 X 3.2
27	919.105.0	Grease Fitting		X	X	AM 8 X 1
28	909.000.0	Cup Spring		X	X	40.0 X 20.4 X 2.5
29	910.646.0	Washer		X	X	17 X 70 X 6
30	909.907.0	Detent Edged Washer		X	X	SKZ 10
31	266.542.0	Brake Disc		X	X	Pa 66 10 X 75



## Rotor Arm Outer

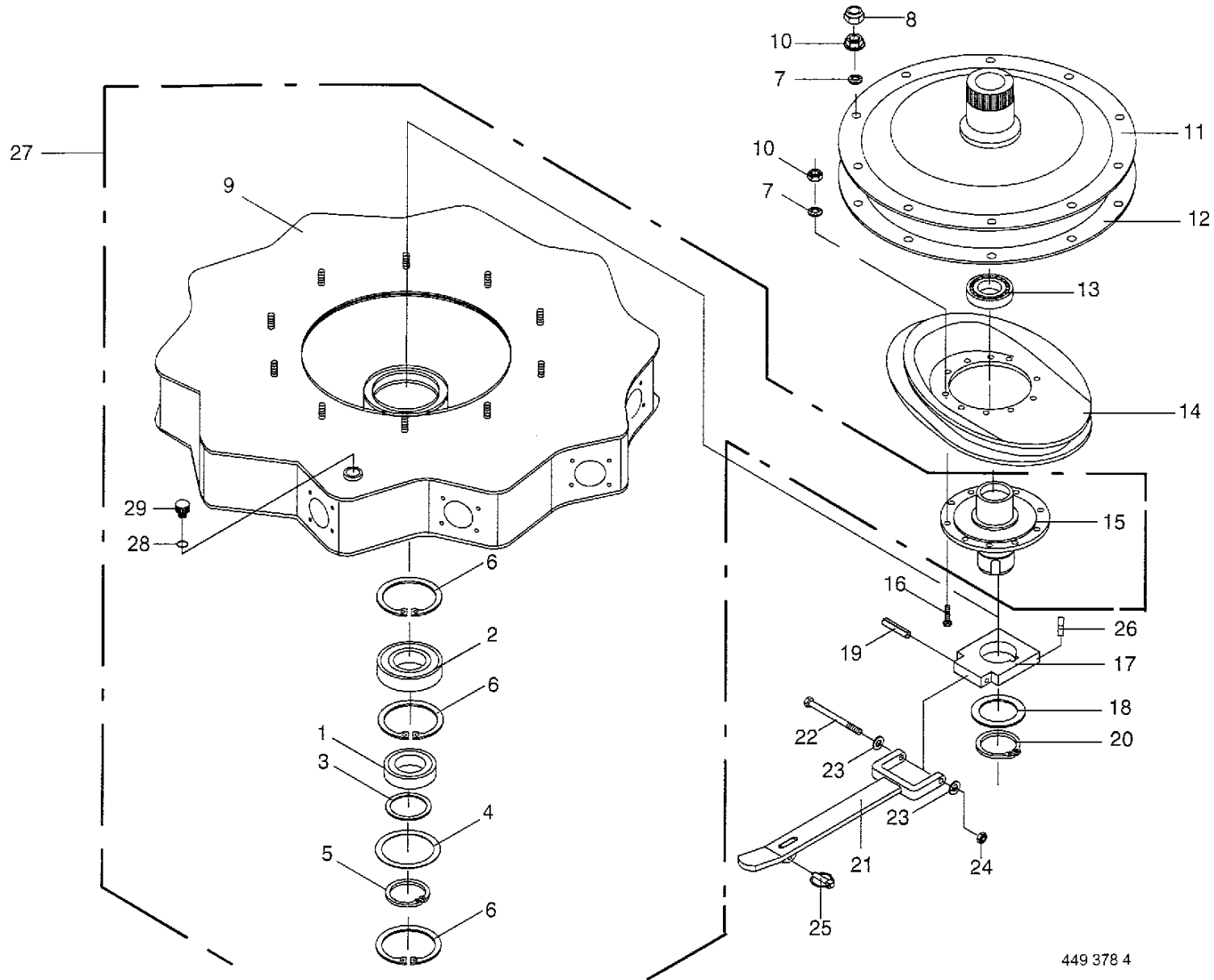
Item	Part Number	Description	Serial # Ranges	KS-1201	KS-1201A	Notes
1	265.274.0	Rotor Support		X	X	
2	949.154.1	Wide Angle Universal Joint		X	X	Gr. 2
3	910.865.0	Shim		X	X	30 X 42 X 2.0
4	265.534.0	Bearing Flange		X	X	
5	934.612.0	Bearing		X	X	AS 206 LLU
6	902.402.0	Hex Head Bolt		X	X	BM 10 X 16
7	903.109.0	Allen Screw		X	X	M10 X 35
8	912.742.0	Roll Pin		X	X	12 X 30
	912.516.2	Roll Pin		X	X	7 X 30
9	271.388.0	Spacer Bushing		X	X	Ro. 25 X 5 X 26
10	909.904.0	Detent Edged Washer		X	X	SKZ 16
11	901.482.0	Hex Head Bolt		X	X	M16 X 60
12	934.905.0	Bushing		X	X	4026 DU
13	155.492.0	Pin		X	X	Rd. 40 X 114
14	919.105.0	Grease Fitting		X	X	AM 8 X 1
15	912.773.1	Roll Pin		X	X	13 X 65
	912.719.0	Roll Pin		X	X	10 X 65
16	265.297.0	Wing Arm		X	X	Includes Item 12
17	265.270.0	Bearing Bushing		X	X	
18	266.543.0	Splined Profile Inside		X	X	
19	915.073.0	Flat Key		X	X	B 8 X 7 X 32
20	915.072.0	Flat Key		X	X	A 8 X 7 X 32
21	901.005.0	Hex Head Bolt		X	X	M6 X 80
22	910.411.1	Washer		X	X	A 6.4
23	908.704.1	Hex Nut		X	X	M6
25	909.907.0	Detent Edged Washer		X	X	SKZ 10



**Rotor Gearbox**

## Rotor Gearbox

Item	Part Number	Description	Serial # Ranges	KS-1201	KS-1201A	Notes
1	911.134.0	Shim		X	X	35 X 45 X 1.0
2	265.021.0	Gearbox Housing		X	X	
4	908.701.0	Hex Nut		X	X	M12
6	930.537.0	Bearing		X	X	6207 2RS
7	332.490.0	Spacer Bushing		X	X	
8	911.132.0	Shim		X	X	35 X 45 X .3
	911.133.0	Shim		X	X	35 X 45 X .5
	911.134.0	Shim		X	X	35 X 45 X 1.0
	911.136.1	Shim		X	X	35 X 45 X 2.0
9	910.912.0	Shim		X	X	56 X 72 X .3
	910.913.0	Shim		X	X	56 X 72 X .5
	910.914.0	Shim		X	X	56 X 72 X 1.0
	910.915.0	Shim		X	X	56 X 72 X 2.0
10	911.541.0	Circlip		X	X	35 X 1.5
11	911.668.0	Circlip		X	X	172 X 2.5
12	931.122.0	Bearing		X	X	3207 2RS
13	911.023.0	Shim		X	X	70 X 80 X .3
	911.024.0	Shim		X	X	70 X 80 X 1.0
14	930.157.0	Bearing		X	X	6014 2RS
16	904.065.1	Countersunk Screw		X	X	M12 X 40-10.9
17	265.023.0	Bearing Flange		X	X	
18	911.166.0	Shim		X	X	90 X 100 X .3
	911.168.0	Shim		X	X	90 X 100 X 1.0
19	930.323.0	Bearing		X	X	6018 2RS
20	153.628.0	Gasket		X	X	
21	265.022.0	Gearbox Cover		X	X	
22	909.909.0	Detent Edged Washer		X	X	SKM 10
23	900.636.0	Hex Head Bolt		X	X	M10 X 25
24	915.072.0	Flat Key		X	X	A 8 X 7 X 32
25	265.027.0	Bolt		X	X	Rd. 55 X 45
26	265.029.0	Washer		X	X	34 X 68 X 4
27	265.278.3	Hollow Shaft		X	X	
28	910.346.0	Washer		X	X	31 X 56 X 1.6
29	153.352.0	Ring Gear / Pinion Set		X	X	Z=12 / Z=83 M=3.5
30	265.357.0	Gearbox Complete		X	X	
	926.000.0	Semi-Fluid Gear Lubricant		X	X	
31	265.808.0	Hollow Shaft with Spindle		X	X	

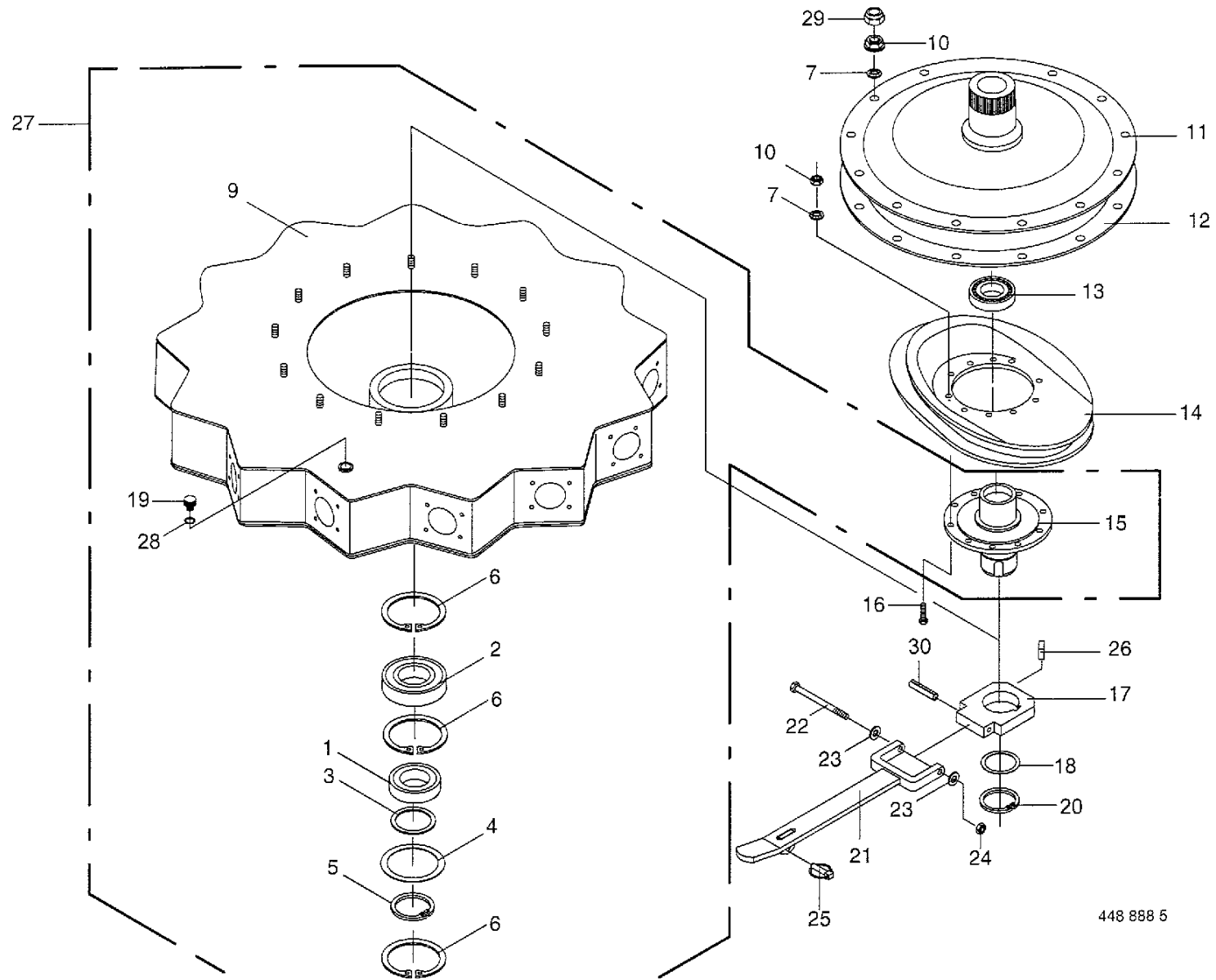


449 378 4

**Cam Track Right Front**

## Cam Track Right Front

Item	Part Number	Description	Serial # Ranges	KS-1201	KS-1201A	Notes
1	936.043.0	Radial Seal		X	X	A 75 X 115 X 12
2	930.283.0	Bearing		X	X	6015 2RS
3	910.868.0	Shim		X	X	75 X 95 X 1.0
	910.824.0	Shim		X	X	75 X 95 X .5
	910.861.0	Shim		X	X	75 X 95 X .3
4	910.835.0	Shim		X	X	95 X 115 X 1
	910.836.0	Shim		X	X	95 X 115 X .5
	910.875.0	Shim		X	X	95 X 115 X .3
5	911.570.0	Circlip		X	X	A 75 X 2.5
6	911.604.0	Circlip		X	X	I 115 X 4.0
7	909.910.0	Detent Edged Washer		X	X	SKM 12
8	938.609.0	Protecting Cap		X	X	SW 19
9	265.204.1	Rotor		X	X	
	926.000.0	Semi-Fluid Gear Lubricant		X	X	
10	908.701.0	Hex Nut		X	X	M12
11	265.971.0	Rotor Hub		X	X	
12	265.209.0	Gasket		X	X	
13	930.156.0	Bearing		X	X	6012 2RS
14	265.050.0	Cam Track		X	X	
15	265.435.0	Hub		X	X	
16	900.657.0	Hex Head Bolt		X	X	M12 X 35
17	265.283.0	Adjuster		X	X	
18	910.741.0	Washer		X	X	S 63 X 80 X 3.0
19	912.716.1	Roll Pin		1	1	10 X 50
	912.717.0	Roll Pin		1	1	10 X 55
20	911.562.0	Circlip		X	X	A 60 X 3.0
21	265.806.0	Hand Lever		X	X	
22	901.159.0	Hex Head Bolt		X	X	M6 X 120
23	910.411.1	Washer		X	X	A 6.4
24	908.704.1	Hex Nut		X	X	M6
25	917.009.0	Lynch Pin		X	X	8 X 42
26	915.245.0	Flat Key		X	X	B 18 X 11 X 20
27	265.431.0	Rotor w/Hub L/H		X	X	10 Arm
28	937.727.0	Gasket Ring		X	X	A 18 X 24 X 1.5
29	906.010.0	Screw Plug		X	X	M18 X 1.5



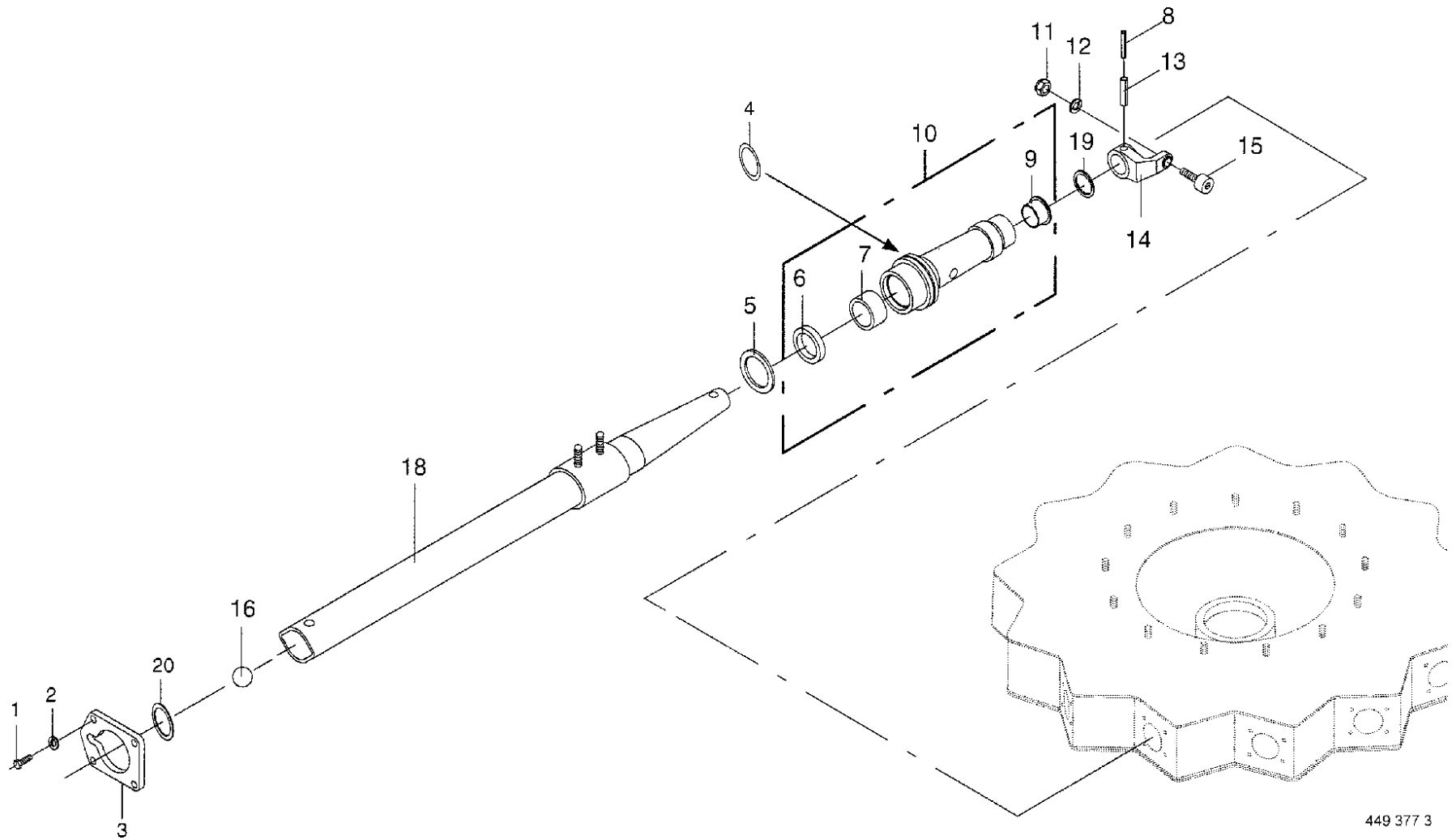
448 888 5

**Cam Track Left Rear**



## Cam Track Left Rear

Item	Part Number	Description	Serial # Ranges	KS-1201	KS-1201A	Notes
1	936.043.0	Radial Seal		X	X	A 75 X 115 X 12
2	930.283.0	Bearing		X	X	6015 2RS
3	910.868.0	Shim		X	X	75 X 95 X 1.0
	910.824.0	Shim		X	X	75 X 95 X .5
	910.861.0	Shim		X	X	75 X 95 X .3
4	910.835.0	Shim		X	X	95 X 115 X 1
	910.836.0	Shim		X	X	95 X 115 X .5
	910.875.0	Shim		X	X	95 X 115 X .3
5	911.570.0	Circlip		X	X	A 75 X 2.5
6	911.604.0	Circlip		X	X	I 115 X 4.0
7	909.910.0	Detent Edged Washer		X	X	SKM 12
9	265.350.0	Rotor		X	X	13 Arm
10	908.701.0	Hex Nut		X	X	M12
11	265.035.0	Rotor Hub		X	X	
12	265.039.0	Gasket		X	X	
13	930.156.0	Bearing		X	X	6012 2RS
14	265.050.0	Cam Track		X	X	
15	265.435.0	Hub		X	X	
16	900.657.0	Hex Head Bolt		X	X	M12 X 35
17	265.283.0	Adjuster		X	X	
18	910.740.0	Washer		X	X	S 60 X 75 X 3.0
19	906.010.0	Screw Plug		X	X	M18 X 1.5
20	911.562.0	Circlip		X	X	A 60 X 3.0
21	265.806.0	Hand Lever		X	X	
22	901.159.0	Hex Head Bolt		X	X	M6 X 120
23	910.411.1	Washer		X	X	A 6.4
24	908.704.1	Hex Nut		X	X	M6
25	917.009.0	Lynch Pin		X	X	8 X 42
26	915.245.0	Flat Key		X	X	B 18 X 11 X 20
27	265.433.0	Rotor w/Hub L/H		X	X	13 Arm
	926.000.0	Semi-Fluid Gear Lubricant		X	X	
28	937.727.0	Gasket Ring		X	X	A 18 X 24 X 1.5
29	938.609.0	Protecting Cap		X	X	SW 19
30	912.716.1	Roll Pin		1	1	10 X 50
	912.717.0	Roll Pin		1	1	10 X 55

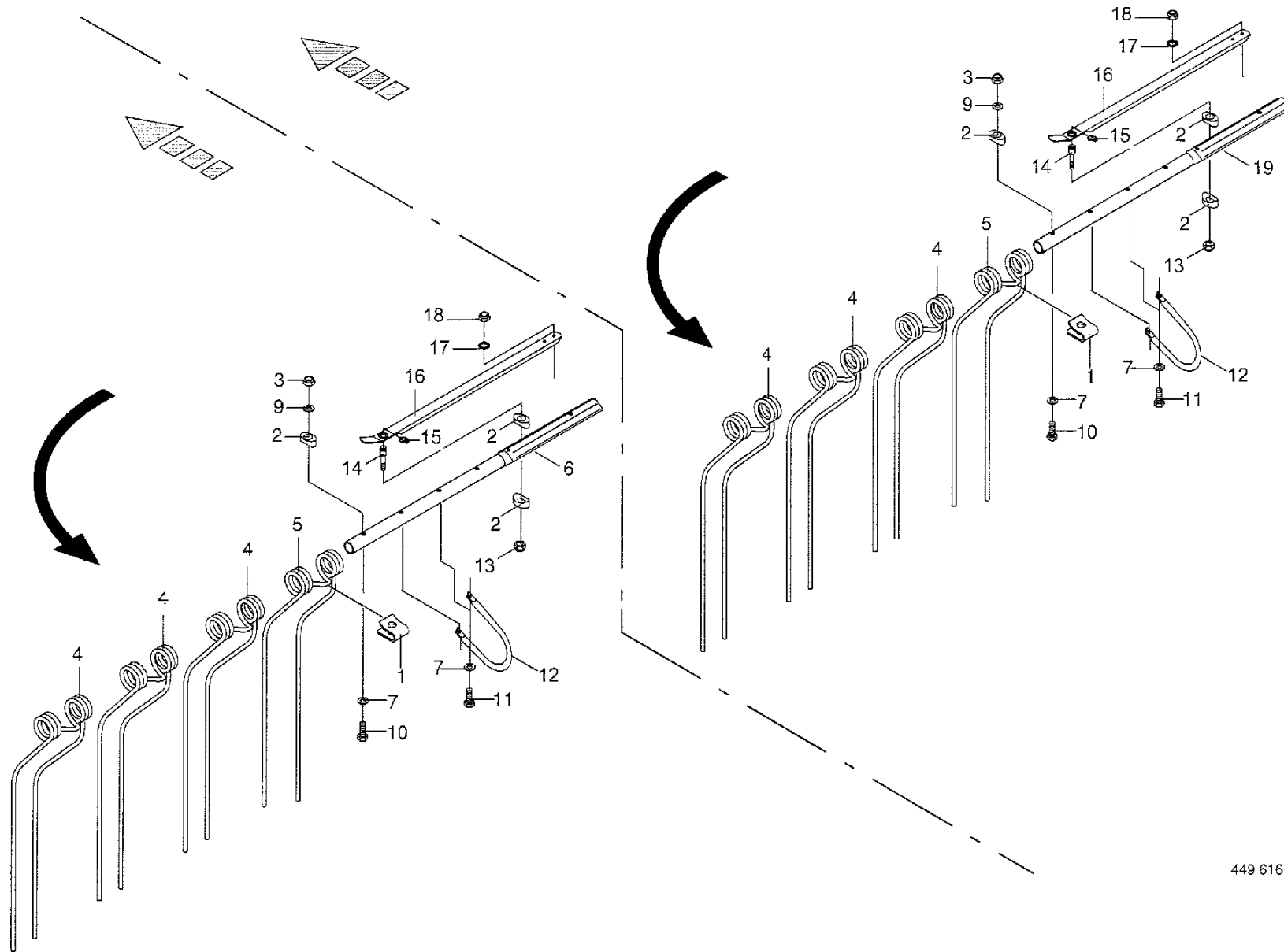


449 377 3

# Inner Tine Arm

## Inner Tine Arm

Item	Part Number	Description	Serial # Ranges	KS-1201	KS-1201A	Notes
1	900.230.0	Hex Head Bolt		X	X	M10 X 35
2	909.909.0	Detent Edged Washer		X	X	SKM 10
3	265.038.0	Flange Plate		X	X	
4	937.501.0	O-Ring		X	X	Or. 70 X 3
5	441.098.0	Washer		X	X	50.5 X 66 X 5
6	936.020.0	Scraper		X	X	50 X 62 X 7
7	934.902.0	Bearing Bushing		X	X	MB 5030 DU
8	912.677.0	Roll Pin		X	X	8 X 55
9	934.905.0	Bushing		X	X	4026 DU
10	265.045.0	Support with Bushing		X	X	
11	908.013.0	Hex Nut		X	X	M16 X 1.5
12	909.912.0	Detent Edged Washer		X	X	SKM 16
13	912.400.0	Roll Pin		X	X	14 X 55
14	265.048.0	Control Arm		X	X	
15	933.201.0	Cam Roller		X	X	
16	938.990.0	Rubber Valve Ball		X	X	Rd. 35
18	266.604.0	Profile Tube		X	X	
19	910.885.0	Shim		X	X	40 X 50 X 2.0
20	911.024.0	Shim		X	X	70 X 80 X 1.0

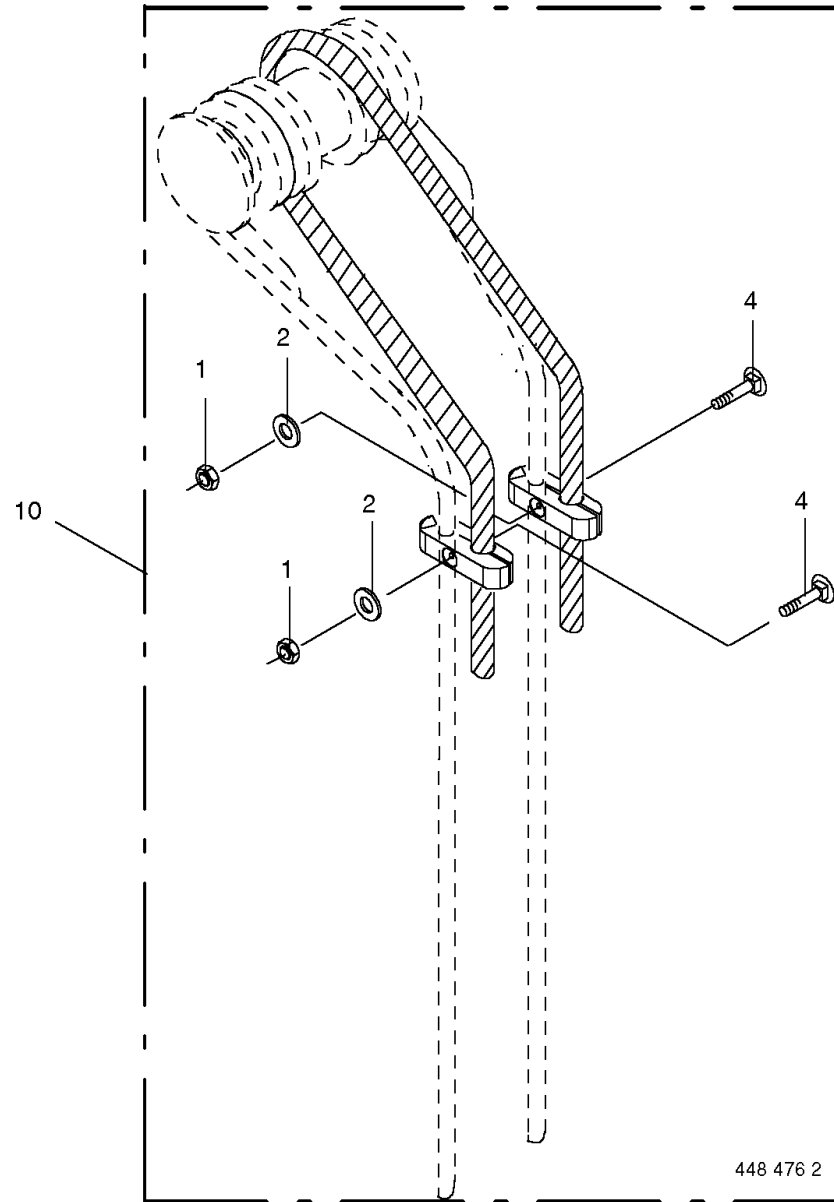


449 616 1

# Outer Tine Arm

## Outer Tine Arm

Item	Part Number	Description	Serial # Ranges	KS-1201	KS-1201A	Notes
1	265.061.0	Clip		92	92	
2	153.021.0	Shim		92	92	
3	908.701.0	Hex Nut		X	X	M12
4	265.012.0	Tine L/H		69	69	Rd. 10
5	265.013.0	Inside Tine L/H		23	23	Rd. 10
6	265.213.1	Tine Arm L/H		13	13	
7	910.624.0	Washer		X	X	13.0 X 35 X 8
8	901.457.0	Hex Head Bolt		X	X	M12 X 85
9	910.506.0	Washer		X	X	13 X 24 X 2.5
10	900.313.0	Hex Head Bolt		X	X	M12 X 85-10.9
11	901.460.0	Hex Head Bolt		X	X	M12 X 100
12	266.124.0	Tine Scraper		X	X	
13	908.758.0	Hex Nut		X	X	M10
14	265.596.0	Pin		X	X	
15	917.004.1	Lynch Pin		X	X	5 X 32
16	266.605.0	Plate Spring Complete		X	X	
17	909.909.0	Detent Edged Washer		X	X	SKM 10
18	908.758.0	Hex Nut		X	X	M10
19	265.213.1	Tine Arm R/H		10	10	

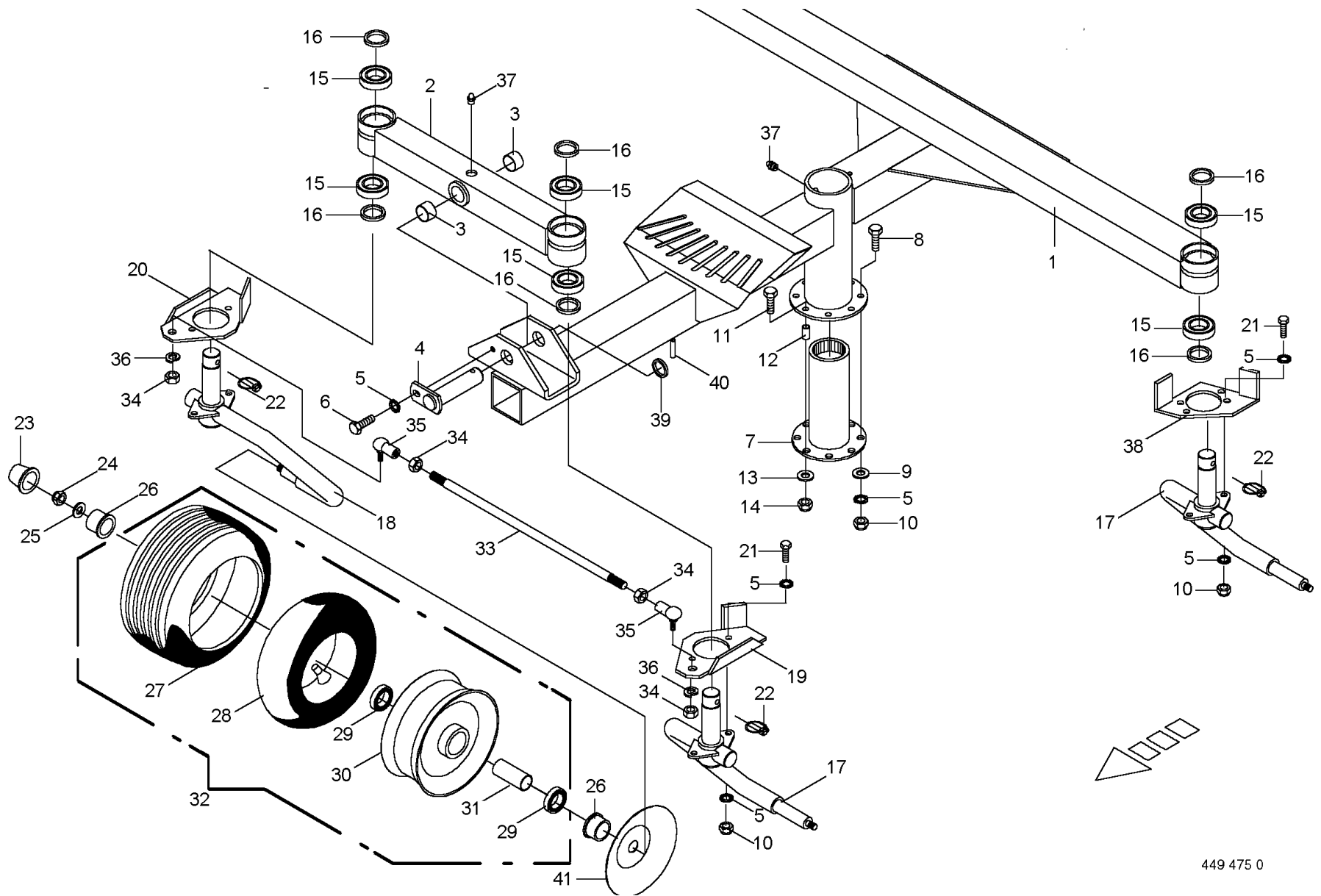


448 476 2

# Tine Savers

## Tine Savers

Item	Part Number	Description	Serial # Ranges	KS-1201	KS-1201A	Notes
1	908.704.1	Hex Nut		X	X	M6
2	910.351.1	Washer		X	X	6.4 X 18 X 1.6
4	904.804.0	Flat Round Bolt		X	X	M6 X 30
10	153.479.0	Tine Saver		92	92	



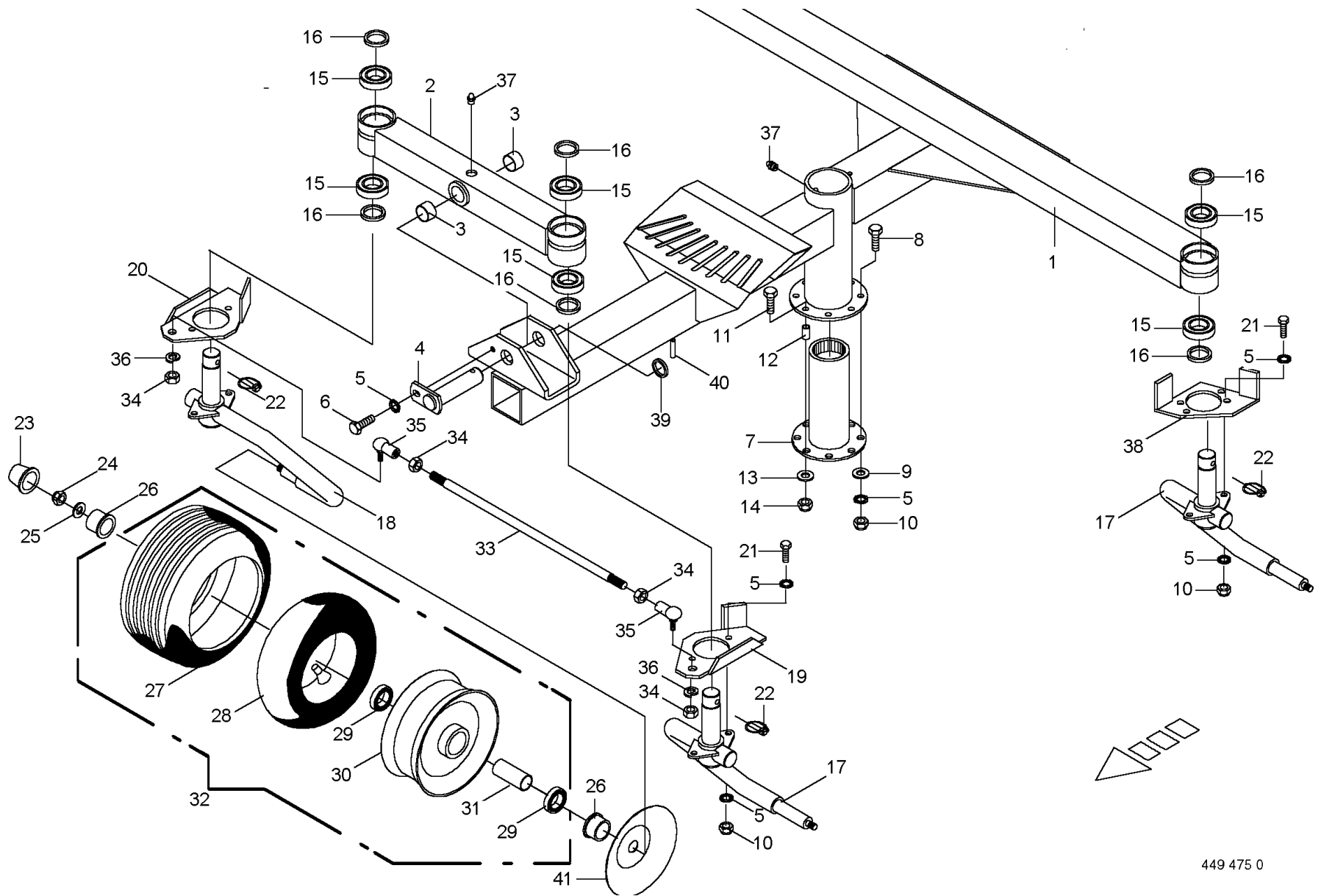
**Rotor Undercarriage**

449 475 0



## Rotor Undercarriage

Item	Part Number	Description	Serial # Ranges	KS-1201	KS-1201A	Notes
1	266.610.0	Undercarriage		X	X	
2	266.608.0	Cross Axle		X	X	Includes Item 3 BB 3026 DU  SKM 10
3	934.909.0	Bushing		X	X	
4	266.620.0	Pin		X	X	
5	909.909.0	Detent Edged Washer		X	X	
6	900.634.0	Hex Head Bolt		X	X	
7	265.891.0	Profile Cover		X	X	
8	900.637.0	Hex Head Bolt		X	X	M10 X 30
9	910.414.0	Washer		X	X	A 10.5
10	908.758.0	Hex Nut		X	X	M10
11	900.239.1	Hex Head Bolt		X	X	M6 X 25
12	912.534.0	Roll Pin		X	X	12 X 12
13	910.351.1	Washer		X	X	6.4 X 18 X 1.6
14	908.704.1	Hex Nut		X	X	M6
15	930.507.0	Bearing		X	X	6007 2RS
16	015.066.0	Spacer Ring		X	X	
17	265.894.0	Support Arm Left		X	X	
18	265.895.0	Support Arm Right		X	X	
19	266.650.0	Limit Stop L/H		X	X	
20	266.651.0	Limit Stop R/H		X	X	
21	900.636.0	Hex Head Bolt		X	X	M10 X 25
22	917.011.0	Lynch Pin		X	X	10 X 45
23	938.833.0	Wheel Cap		X	X	52
24	908.701.0	Hex Nut		X	X	M12
25	910.609.0	Washer		X	X	13 X 37 X 3
26	938.832.0	Gasket Ring		X	X	48/25 X 13.5
27	953.249.1	Tire		X	X	16 X 6.50-8 6 PR
28	953.328.0	Tube		X	X	16 X 6.50-8 TR 13
29	930.535.0	Bearing		X	X	6205 2RS
30	953.158.0	Rim		X	X	5.50 A-8
31	938.831.0	Distance Tube		X	X	30 X 1.5 X 34
32	953.058.1	Wheel Complete		X	X	16 X 6.50-8 6 PR
33	266.654.0	Track Rod		X	X	
34	908.019.0	Hex Nut		X	X	M14 X 1.5
35	927.150.0	Link		X	X	
36	910.013.0	Spring Washer		X	X	B 14
37	919.105.0	Grease Fitting		X	X	AM 8 X 1
38	266.653.0	Rear Stop		2	2	

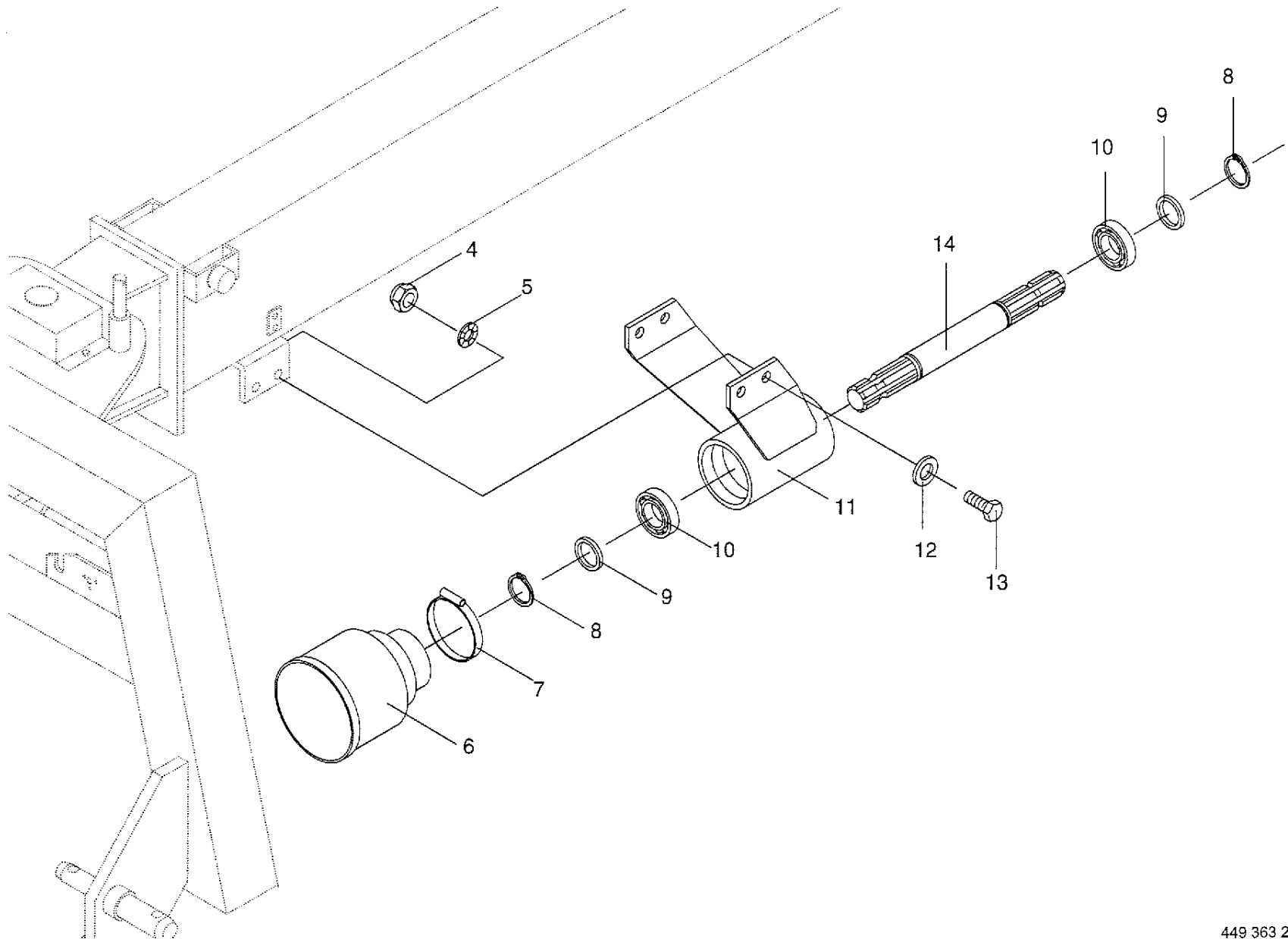


# Rotor Undercarriage

449 475 0

## Rotor Undercarriage

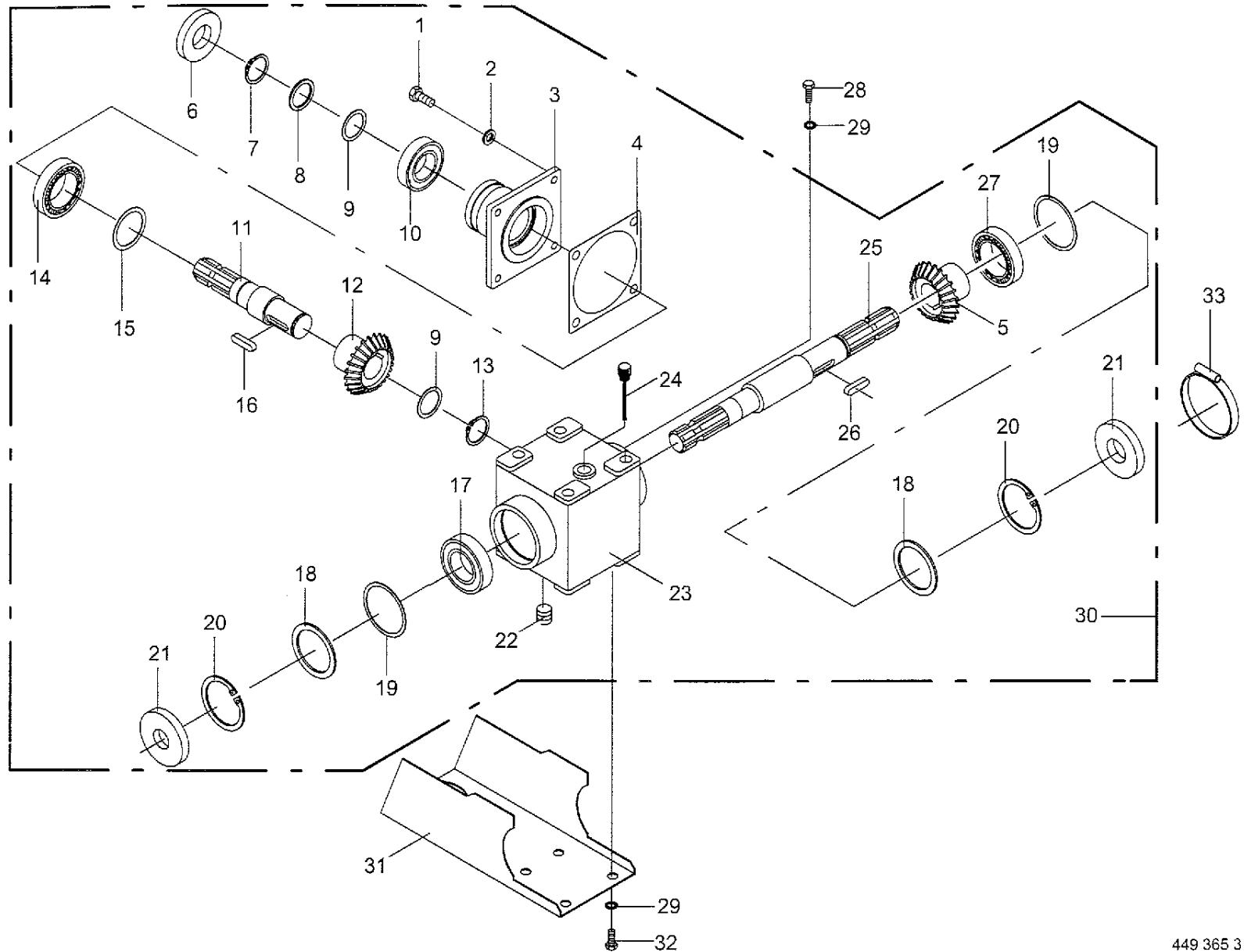
Item	Part Number	Description	Serial # Ranges	KS-1201	KS-1201A	Notes
39	910.702.0	Washer		X	X	S 30 X 42 X 2.5
40	912.672.0	Roll Pin		X	X	8 X 50
41	153.206.0	Anti-Wrap Guard		X	X	



# Intermediate Shaft

## Intermediate Shaft

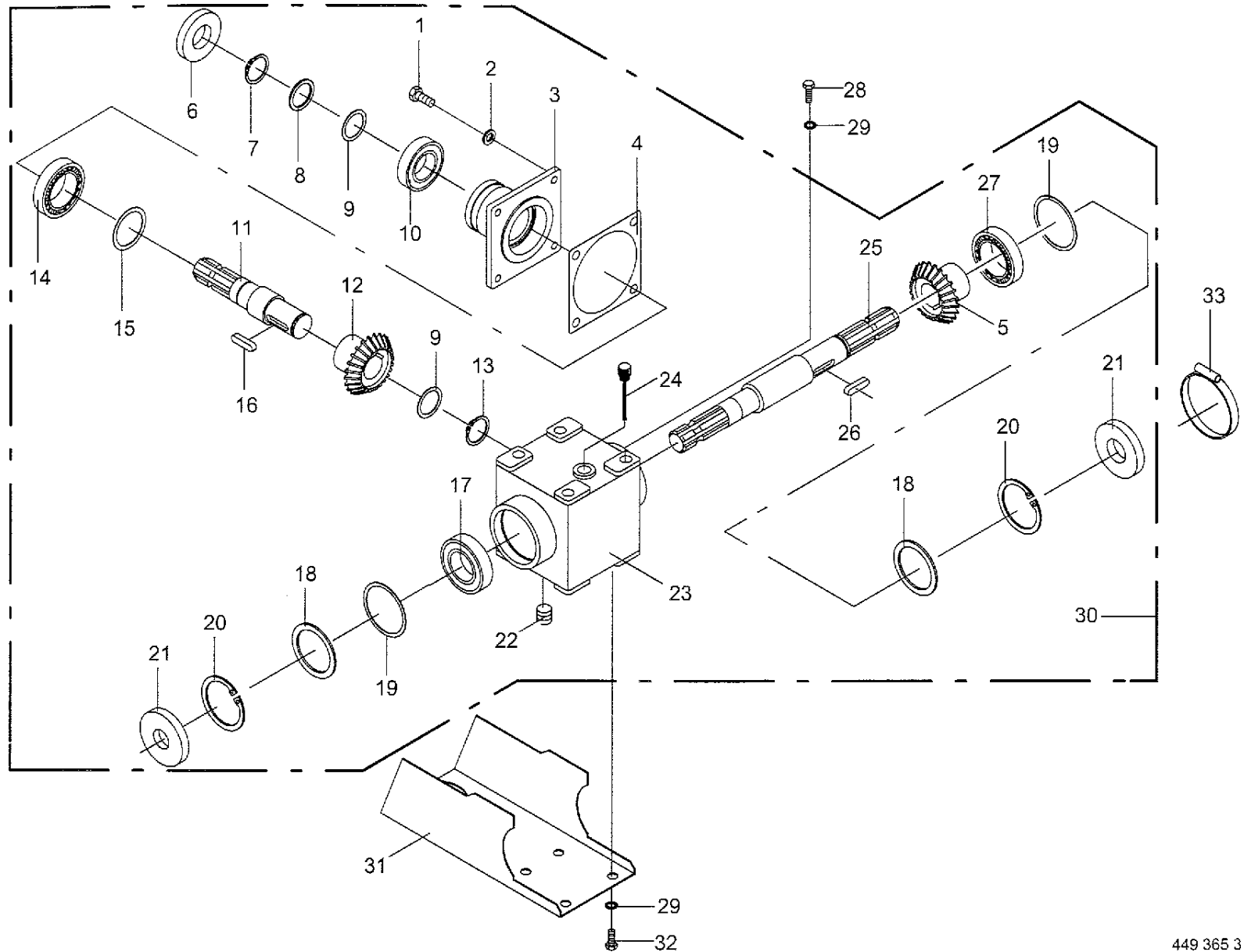
Item	Part Number	Description	Serial # Ranges	KS-1201	KS-1201A	Notes
4	908.701.0	Hex Nut		X	X	M12
5	909.910.0	Detent Edged Washer		X	X	SKM 12
6	144.891.2	PTO Guard		X	X	
7	924.005.0	Hose Clamp		X	X	
8	911.541.0	Circlip		X	X	35 X 1.5
9	911.132.0	Shim		X	X	35 X 45 X .3
	911.133.0	Shim		X	X	35 X 45 X .5
	911.134.0	Shim		X	X	35 X 45 X 1.0
	911.136.1	Shim		X	X	35 X 45 X 2.0
10	930.537.0	Bearing		X	X	6207 2RS
11	266.599.0	Bearing		X	X	
12	910.506.0	Washer		X	X	13 X 24 X 2.5
13	900.657.0	Hex Head Bolt		X	X	M12 X 35
14	154.136.0	Through Shaft		X	X	



**Front Gearbox**

## Front Gearbox

Item	Part Number	Description	Serial # Ranges	KS-1201	KS-1201A	Notes
1	900.655.0	Hex Head Bolt		X	X	M12 X 25
2	910.035.0	Spring Washer		X	X	B 12
3	146.976.2	Gearbox Cover		X	X	
4	145.212.0	Gearbox Seal		X	X	
5	151.702.0	Bevel Wheel		X	X	Z=19
6	936.337.0	Radial Seal		X	X	A 35 X 72 X 12
7	911.541.0	Circlip		X	X	35 X 1.5
8	910.727.0	Washer		X	X	S 35 X 45 X 2.5
9	911.130.0	Shim		X	X	35 X 45 X .1
	911.132.0	Shim		X	X	35 X 45 X .3
	911.133.0	Shim		X	X	35 X 45 X .5
	911.134.0	Shim		X	X	35 X 45 X 1.0
10	930.137.0	Bearing		X	X	6207
11	145.215.3	Gearbox Shaft		X	X	42 X 193
12	151.701.0	Bevel Wheel		X	X	Z=23
13	911.541.0	Circlip		X	X	35 X 1.5
14	932.155.0	Tapered Roller Bearing		X	X	32210 A
15	910.900.0	Shim		X	X	50 X 62 X .1
	910.902.0	Shim		X	X	50 X 62 X .3
	910.903.0	Shim		X	X	50 X 62 X .5
	910.904.0	Shim		X	X	50 X 62 X 1.0
16	915.122.0	Flat Key		X	X	A 10 X 8 X 40
17	930.167.0	Bearing		X	X	6307
18	910.741.0	Washer		X	X	S 63 X 80 X 3.0
19	911.022.0	Shim		X	X	70 X 80 X .1
	911.023.0	Shim		X	X	70 X 80 X .3
	911.024.0	Shim		X	X	70 X 80 X 1.0
20	911.673.0	Circlip		X	X	180 X 2.5
21	936.339.0	Radial Seal		X	X	A 35 X 80 X 13
22	906.040.1	Screw Plug		X	X	M18 X 1.5
23	145.396.1	Gearbox Housing		X	X	
24	490.161.1	Oil Level Dipstick		X	X	
25	145.397.0	Gearbox Shaft		X	X	Rd. 42 X 374
26	915.122.0	Flat Key		X	X	A 10 X 8 X 40
27	932.177.0	Tapered Roller Bearing		X	X	32010
28	900.335.1	Hex Head Bolt		X	X	M16 X 30
29	909.912.0	Detent Edged Washer		X	X	SKM 16



**Front Gearbox**



## Front Gearbox

Item	Part Number	Description	Serial # Ranges	KS-1201	KS-1201A	Notes
30	266.562.0	Gearbox Complete		X	X	
	926.101.0	Oil		X	X	.5 Liter SAE 90
31	266.596.0	Cover		X	X	
32	900.672.0	Hex Head Bolt		X	X	M16 X 20
33	924.007.0	Hose Clamp		X	X	



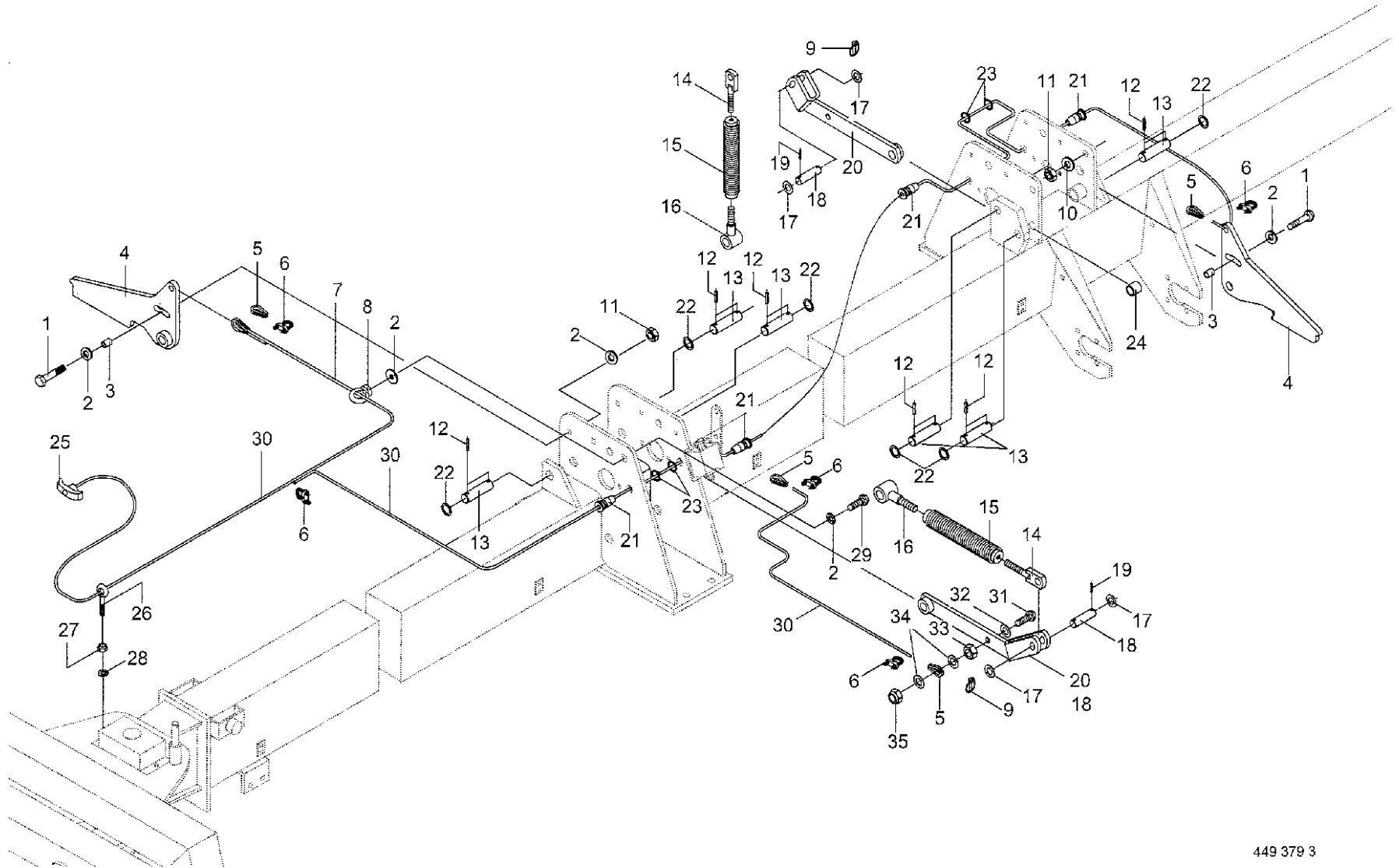
## Rear Gearbox

Item	Part Number	Description	Serial # Ranges	KS-1201	KS-1201A	Notes
1	266.563.0	Gearbox Rear		X	X	
	926.101.0	Oil		X	X	.5 Liter SAE 90
2	925.205.1	Core Plug		X	X	
3	911.673.0	Circlip		X	X	1 80 X 2.5
4	910.741.0	Washer		X	X	S 63 X 80 X 3.0
5	911.022.0	Shim		X	X	70 X 80 X .1
	911.023.0	Shim		X	X	70 X 80 X .3
	911.024.0	Shim		X	X	70 X 80 X 1.0
6	930.167.0	Bearing		X	X	6307
7	151.702.0	Bevel Wheel		X	X	Z=19
8	266.564.0	Gearbox Shaft		X	X	Rd. 42 X 275
9	915.122.0	Flat Key		X	X	A 10 X 8 X 40
10	145.396.1	Gearbox Housing		X	X	
11	906.040.1	Screw Plug		X	X	M18 X 1.5
12	932.177.0	Tapered Roller Bearing		X	X	32010
13	936.339.0	Radial Seal		X	X	A 35 X 80 X 13
14	911.541.0	Circlip		X	X	35 X 1.5
15	911.132.0	Shim		X	X	35 X 45 X .3
	911.133.0	Shim		X	X	35 X 45 X .5
	911.134.0	Shim		X	X	35 X 45 X 1.0
16	151.701.0	Bevel Wheel		X	X	Z=23
17	145.215.3	Gearbox Shaft		X	X	42 X 193
18	910.900.0	Shim		X	X	50 X 62 X .1
	910.902.0	Shim		X	X	50 X 62 X .3
	910.903.0	Shim		X	X	50 X 62 X .5
	910.904.0	Shim		X	X	50 X 62 X 1.0
19	932.155.0	Tapered Roller Bearing		X	X	32210 A
20	145.212.0	Gearbox Seal		X	X	
21	146.976.2	Gearbox Cover		X	X	
22	930.137.0	Bearing		X	X	6207
23	910.727.0	Washer		X	X	S 35 X 45 X 2.5
24	936.337.0	Radial Seal		X	X	A 35 X 72 X 12
25	900.655.0	Hex Head Bolt		X	X	M12 X 25
26	910.035.0	Spring Washer		X	X	B 12
28	490.161.1	Oil Level Dipstick		X	X	
29	900.335.1	Hex Head Bolt		X	X	M16 X 30
30	909.912.0	Detent Edged Washer		X	X	SKM 16
31	266.596.0	Cover		X	X	



## Rear Gearbox

Item	Part Number	Description	Serial # Ranges	KS-1201	KS-1201A	Notes
32	900.672.0	Hex Head Bolt		X	X	M16 X 20
33	924.007.0	Hose Clamp		X	X	

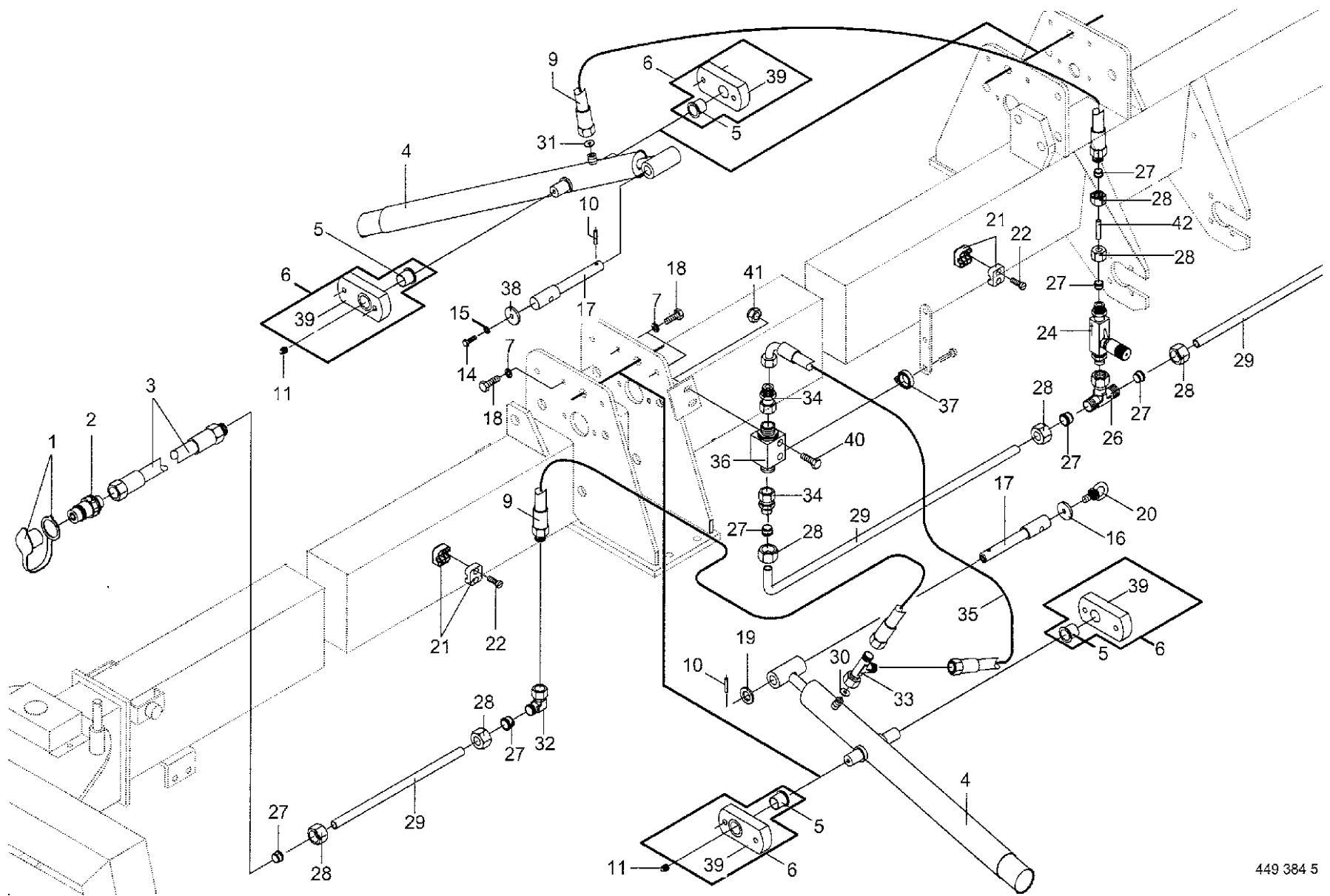


449 379 3

# Rotor Locking Mechanism

## Rotor Locking Mechanism

Item	Part Number	Description	Serial # Ranges	KS-1201	KS-1201A	Notes
1	901.452.0	Hex Head Bolt		X	X	M12 X 50
2	910.506.0	Washer		X	X	13 X 24 X 2.5
3	266.349.0	Spacer Bushing		X	X	Ro. 15 X 1.5 X 18
4	266.475.1	Locking Mechanism		X	X	
5	917.506.0	Grommet Thimble		X	X	A 6
6	917.603.0	Cable Clamp		X	X	6.5
7	925.113.0	Rope		X	X	
8	909.503.1	Ring Nut		X	X	M12
9	917.006.0	Lynch Pin		X	X	6 X 42
10	910.506.0	Washer		X	X	13 X 24 X 2.5
11	908.701.0	Hex Nut		X	X	M12
12	912.673.0	Roll Pin		X	X	8 X 36
13	274.066.3	Pin		X	X	25 X 80
14	266.480.0	Threaded Rod		X	X	
15	266.481.0	Tension Spring		X	X	
16	266.479.0	Threaded Piece		X	X	
17	910.512.2	Washer		X	X	B 21
18	266.474.0	Pin		X	X	Rd. 20 X 75
19	912.643.0	Roll Pin		X	X	6 X 36
20	266.485.0	Spring Strut		X	X	
21	273.742.1	Rope Guide		X	X	
22	910.845.0	Shim		X	X	25 X 35 X 2.0
23	911.522.0	Circlip		X	X	A 20 X 1.2
24	153.549.0	Roller		X	X	Rd. 45 X 25
25	939.063.0	Handle		X	X	
26	918.309.0	Eye Screw		X	X	M8 X 75/30
27	908.706.0	Hex Nut		X	X	M8
28	909.908.0	Detent Edged Washer		X	X	SKM 8
29	901.451.0	Hex Head Bolt		X	X	M12 X 45
30	925.113.0	Rope		X	X	
31	900.284.0	Hex Head Bolt		X	X	M10 X 50
32	910.414.0	Washer		X	X	A 10.5
33	908.212.0	Hex Nut		X	X	M10
34	910.353.0	Washer		X	X	11 X 34 X 3
35	908.758.0	Hex Nut		X	X	M10



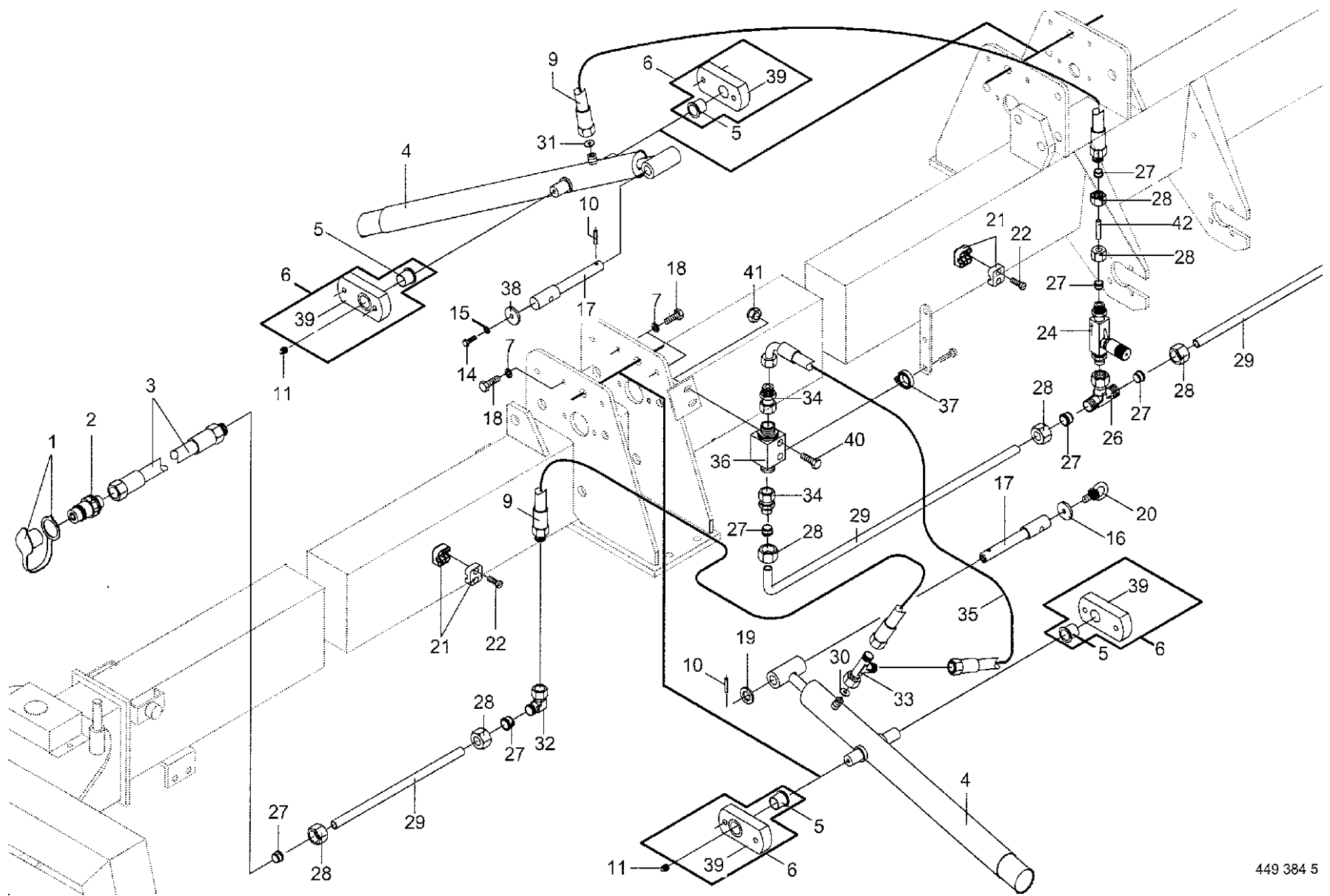
449 384 5

# Rotor Lift Hydraulics



## Rotor Lift Hydraulics

Item	Part Number	Description	Serial # Ranges	KS-1201	KS-1201A	Notes
1	921.171.0	Dust Cap		X	X	
2	921.145.0	Plug		X	X	M18 X 1.5
3	921.030.1	Hydraulic Hose		X	X	1600mm Long
4	918.465.0	Hydraulic Cylinder		X	X	Zz 25/60 X 590/270
	921.433.1	Seal Kit		X	X	
5	911.864.0	Snap Ring		X	X	B 60 X 3.2
6	934.909.0	Bushing		X	X	BB 3026 DU
7	266.652.0	Bearing		X	X	
8	909.910.0	Detent Edged Washer		X	X	SKM 12
9	920.965.0	High Pressure Hose		X	X	800mm Long
10	912.675.0	Roll Pin		X	X	8 X 45
11	919.106.0	Grease Fitting		X	X	BM 8 X 1
14	900.634.0	Hex Head Bolt		X	X	M10 X 20
15	909.909.0	Detent Edged Washer		X	X	SKM 10
16	910.639.1	Washer		X	X	11 X 48 X 5
17	265.348.4	Pin		X	X	
18	900.655.0	Hex Head Bolt		X	X	M12 X 25
19	910.514.1	Washer		X	X	26 X 44 X 4
20	906.202.1	Eye Bolt		X	X	M10
21	925.107.1	Clamp		X	X	Bo.=12
22	903.477.1	Allen Screw		X	X	AM 6 X 20
24	229.610.0	Valve		X	X	
26	921.077.1	T Connector		X	X	L 12
27	921.046.1	Cutting Ring		X	X	L 12
28	921.206.0	Union Nut		X	X	AL 12
29	045.506.0	Hydraulic Pipe		X	X	12 X 1.5
30	266.667.0	Washer		X	X	Rd. 1.8/12.0 X 1
31	341.198.0	Washer		X	X	Rd. 2 X Rd. 11 X 1.5
32	921.067.1	Connector		X	X	L 12
33	921.079.1	Adjustable L Connection		X	X	L 12
34	921.160.1	Reducer		X	X	KOR 15/12-PL
35	921.258.1	High Pressure Hose		X	X	670mm Long
36	921.181.0	Breather Nut		X	X	Includes Item 37
37	920.891.0	Spring		X	X	
38	910.361.0	Washer		X	X	10.5
39	266.657.0	Cylinder Support		X	X	
40	900.244.0	Hex Head Bolt		X	X	M6 X 50

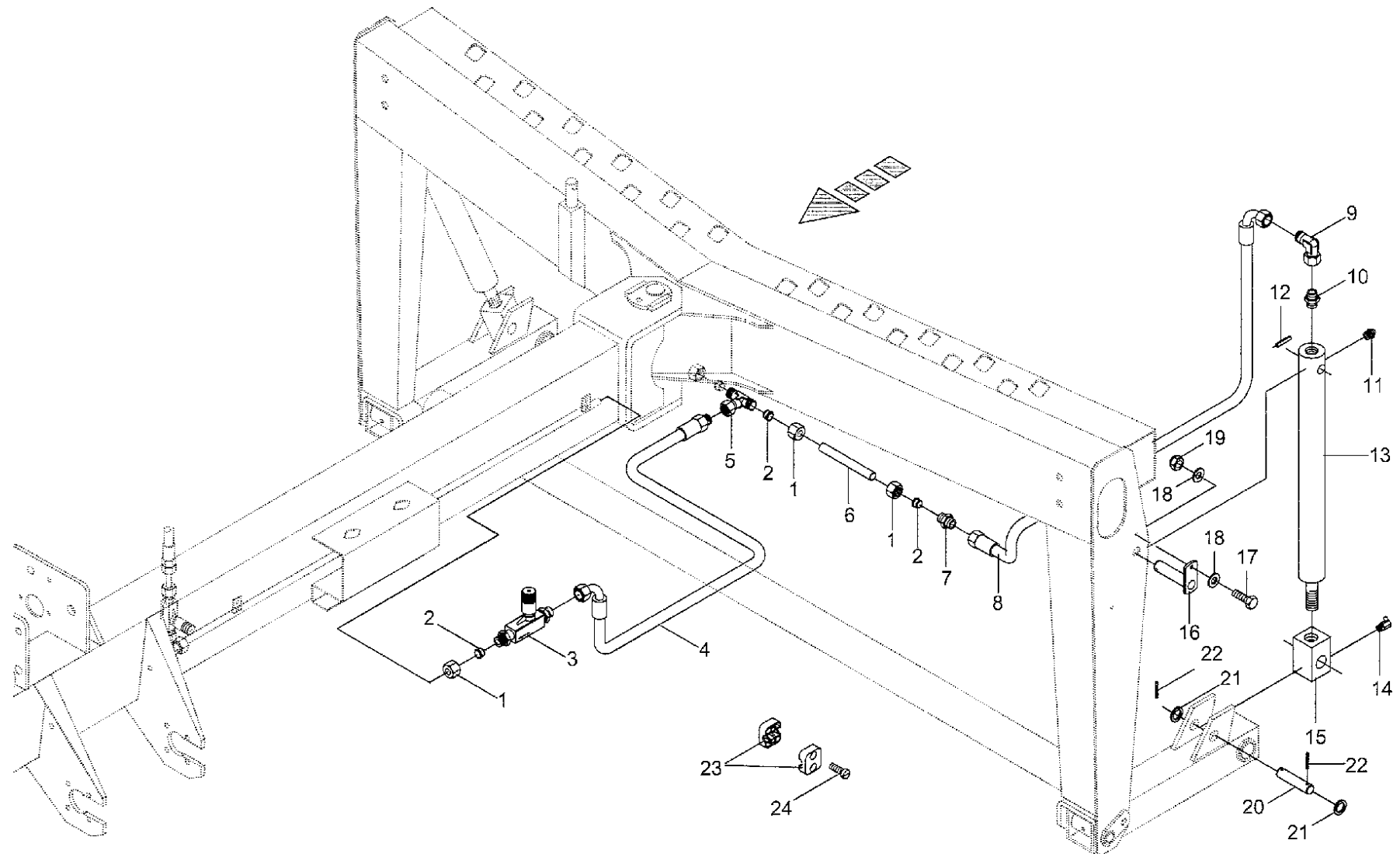


449 384 5

# Rotor Lift Hydraulics

## Rotor Lift Hydraulics

Item	Part Number	Description	Serial # Ranges	KS-1201	KS-1201A	Notes
41	908.704.1	Hex Nut		X	X	M6
42	230.741.0	Hydraulic Line Nipple		X	X	Ro. 12 X 1.5 X 32

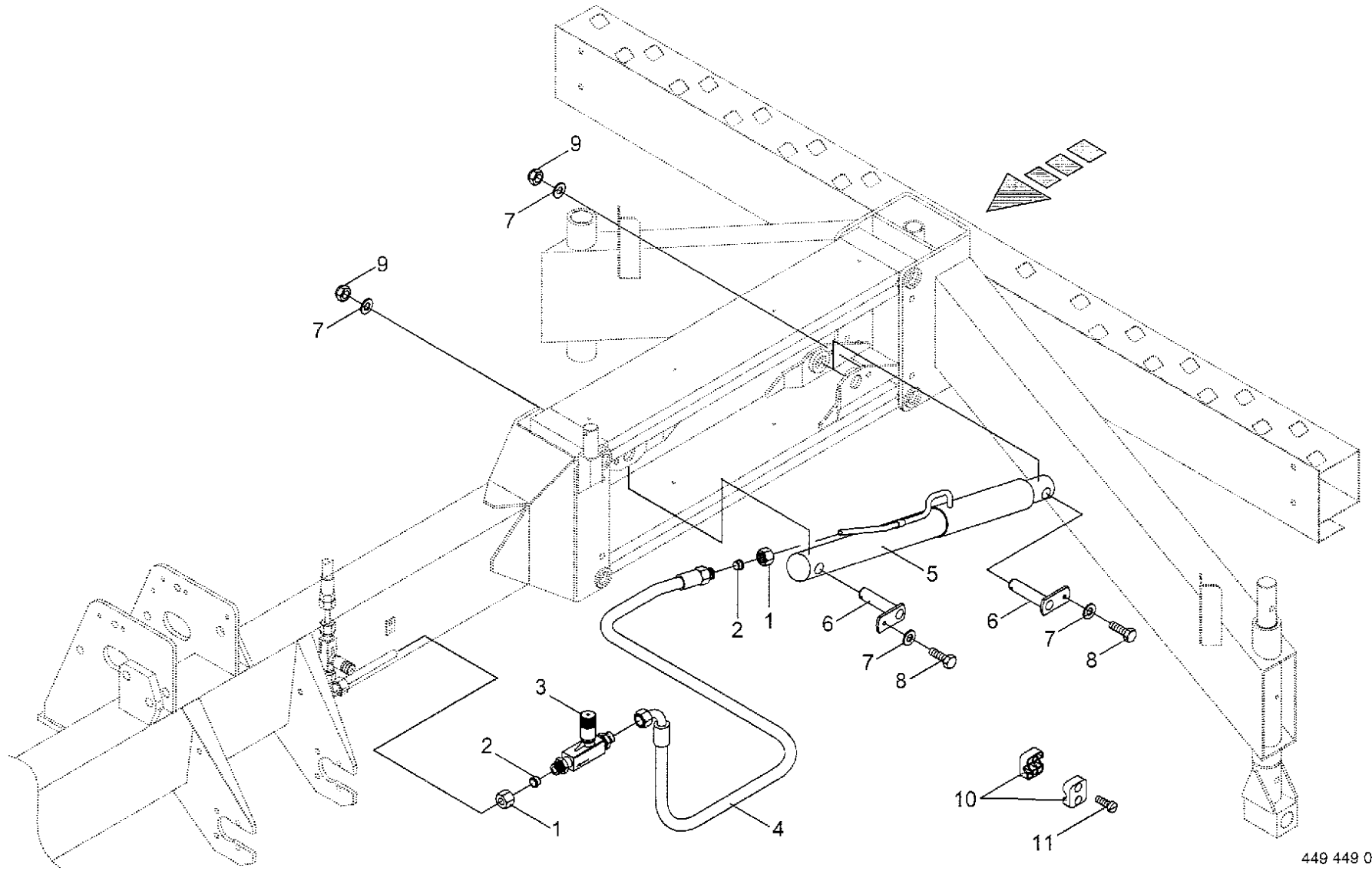


449 644 0

# Rear Frame Hydraulics - KS-1201

## Rear Frame Hydraulics - KS-1201

Item	Part Number	Description	Serial # Ranges	KS-1201	KS-1201A	Notes
1	921.206.0	Union Nut		X		AL 12
2	921.046.1	Cutting Ring		X		L 12
3	229.610.0	Valve		X		
4	921.003.1	High Pressure Hose		X		620mm Long
5	921.077.1	T Connector		X		L 12
6	045.506.0	Hydraulic Pipe		X		12 X 1.5
7	920.901.0	Male Connector		X		L 12
8	920.977.0	High Pressure Hose		X		400mm Long
9	921.225.0	Connector		X		L 6
10	921.059.1	Male Connector		X		L 6
11	919.105.0	Grease Fitting		X		AM 8 X 1
12	912.644.1	Roll Pin		X		6 X 40
13	918.428.0	Hydraulic Cylinder		X		EZ 35/ X 400/570
	921.467.2	Seal Kit		X		
14	919.107.0	Grease Fitting		X		CM 8 X 1
15	266.639.0	Cylinder Support		X		
16	266.629.0	Pin		X		
17	900.617.0	Hex Head Bolt		X		M8 X 30
18	910.413.0	Washer		X		A 8.4
19	908.706.0	Hex Nut		X		M8
20	153.088.0	Pin		X		25 X 104
21	910.514.1	Washer		X		26 X 44 X 4
22	912.675.0	Roll Pin		X		8 X 45
23	925.107.1	Clamp		X		Bo.=12
24	903.477.1	Allen Screw		X		AM 6 X 20

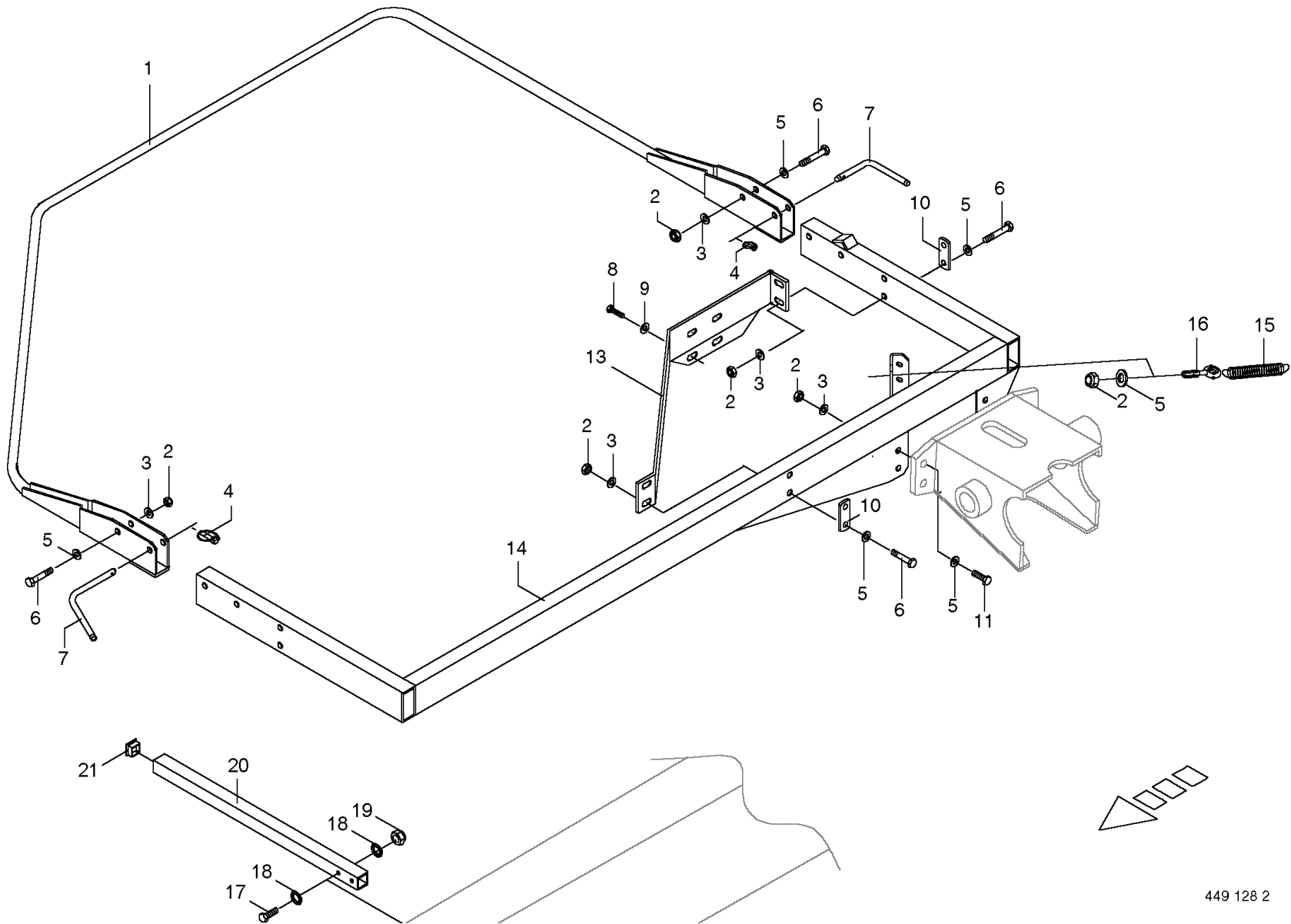


449 449 0

# Rear Frame Hydraulics - KS-1201A

## Rear Frame Hydraulics - KS-1201A

Item	Part Number	Description	Serial # Ranges	KS-1201	KS-1201A	Notes
1	921.206.0	Union Nut			X	AL 12
2	921.046.1	Cutting Ring			X	L 12
3	229.610.0	Valve			X	
4	921.003.1	High Pressure Hose			X	620mm Long
5	918.473.0	Hydraulic Cylinder			X	Ez 50/ X 152/680
6	229.784.0	Pin			X	
7	910.361.0	Washer			X	10.5
8	900.638.0	Hex Head Bolt			X	M10 X 35
9	908.758.0	Hex Nut			X	M10
10	925.107.1	Clamp			X	Bo.=12
11	903.477.1	Allen Screw			X	AM 6 X 20



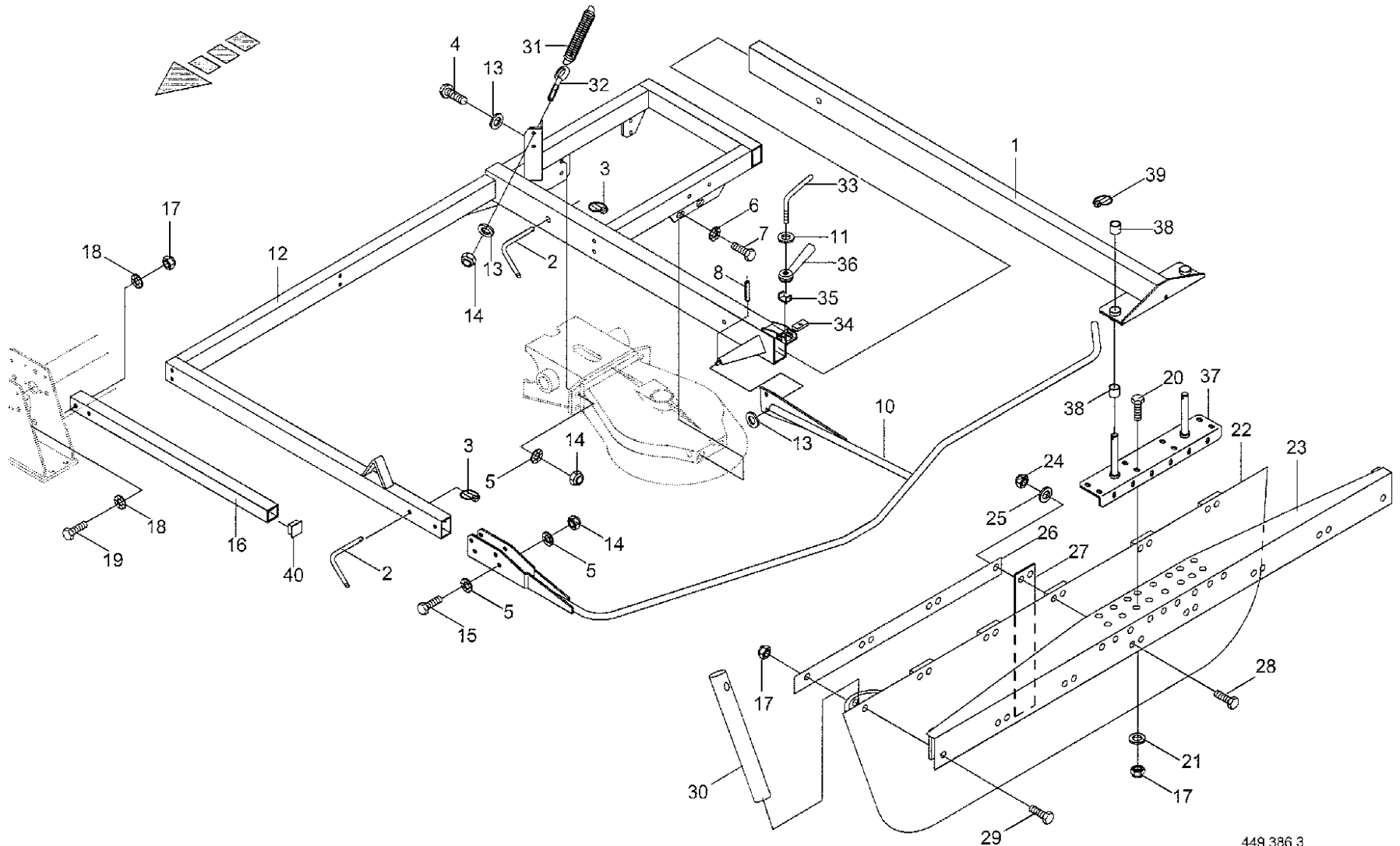
449 128 2

# Right Front Rotor Safety Frame



## Right Front Rotor Safety Frame

Item	Part Number	Description	Serial # Ranges	KS-1201	KS-1201A	Notes
1	265.380.0	Safety Frame R/H		X	X	
2	908.701.0	Hex Nut		X	X	M12
3	909.910.0	Detent Edged Washer		X	X	SKM 12
4	917.004.1	Lynch Pin		X	X	5 X 32
5	910.506.0	Washer		X	X	13 X 24 X 2.5
6	901.122.0	Hex Head Bolt		X	X	M12 X 70
7	260.600.0	Safety Pin		X	X	
8	900.672.0	Hex Head Bolt		X	X	M16 X 20
9	909.912.0	Detent Edged Washer		X	X	SKM 16
10	277.587.0	Plate		X	X	
11	900.658.0	Hex Head Bolt		X	X	M12 X 40
13	266.553.0	Guard Support R/H		X	X	
14	266.551.0	Guard R/H		X	X	
15	490.307.1	Tension Spring		X	X	
16	003.048.1	Eye Screw		X	X	M12 X 162
17	901.437.0	Hex Head Bolt		X	X	M10 X 70
18	909.909.0	Detent Edged Washer		X	X	SKM 10
19	908.758.0	Hex Nut		X	X	M10
20	266.557.0	Guard Tube		X	X	750mm Long
21	463.431.0	Square Plug		X	X	

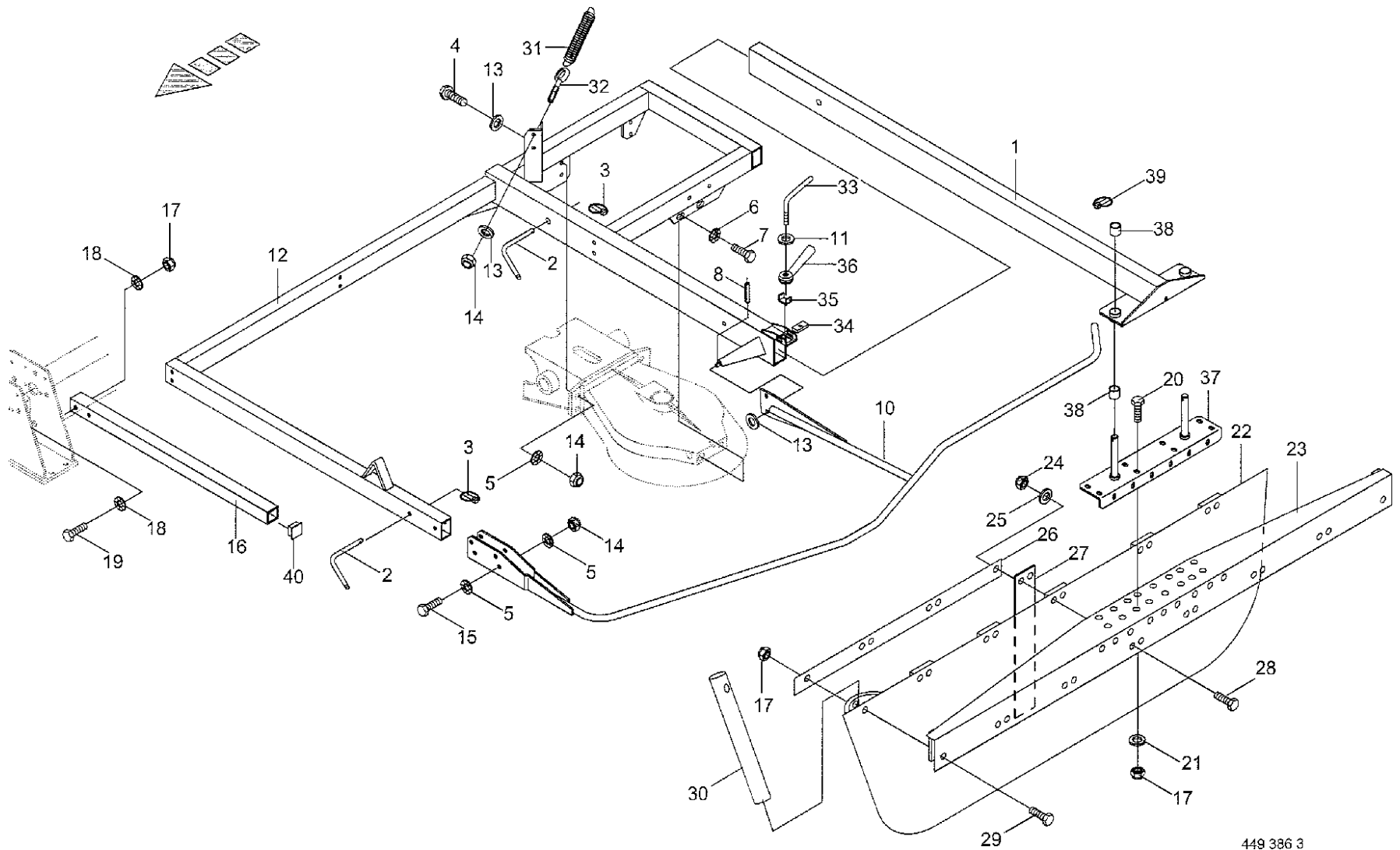


449 386 3

**Left Rear Rotor Safety Frame**

## Left Rear Rotor Safety Frame

Item	Part Number	Description	Serial # Ranges	KS-1201	KS-1201A	Notes
1	266.631.0	Telescoping Tube		X	X	
2	260.600.0	Safety Pin		X	X	
3	917.004.1	Lynch Pin		X	X	5 X 32
4	900.658.0	Hex Head Bolt		X	X	M12 X 40
5	909.910.0	Detent Edged Washer		X	X	SKM 12
6	909.912.0	Detent Edged Washer		X	X	SKM 16
7	900.672.0	Hex Head Bolt		X	X	M16 X 20
8	912.611.1	Roll Pin		X	X	5 X 26
10	266.606.0	Guard Frame L/H		X	X	
11	910.643.0	Washer		X	X	13.5 X 44 X 4
12	266.640.0	Guard L/H		X	X	
13	910.506.0	Washer		X	X	13 X 24 X 2.5
14	908.701.0	Hex Nut		X	X	M12
15	901.122.0	Hex Head Bolt		X	X	M12 X 70
16	266.557.0	Guard Tube		X	X	750mm Long
17	908.758.0	Hex Nut		X	X	M10
18	909.909.0	Detent Edged Washer		X	X	SKM 10
19	901.437.0	Hex Head Bolt		X	X	M10 X 70
20	900.637.0	Hex Head Bolt		X	X	M10 X 30
21	910.353.0	Washer		X	X	R 11
22	269.068.0	Swathing Deflector		X	X	
23	154.316.0	Swathing Deflector Support		X	X	
24	908.704.1	Hex Nut		X	X	M6
25	910.351.1	Washer		X	X	6.4 X 18 X 1.6
26	153.277.0	Clamping Strap		2	2	1065mm Long
27	265.332.0	Flat Steel		4	4	430mm Long
28	900.608.0	Hex Head Bolt		X	X	M6 X 20
29	900.284.0	Hex Head Bolt		X	X	M10 X 50
30	265.333.0	Round Bar		1	1	485mm Long
31	490.307.1	Tension Spring		X	X	
32	003.048.1	Eye Screw		X	X	M12 X 162
33	153.383.0	Bolt		X	X	
34	266.637.0	Threaded Piece		X	X	
35	266.638.0	Clamping Piece		X	X	
36	909.520.0	Tapered Handle		X	X	
37	266.635.0	Side Flange		X	X	
38	151.610.0	Bushing		X	X	Rd. 30 X 40

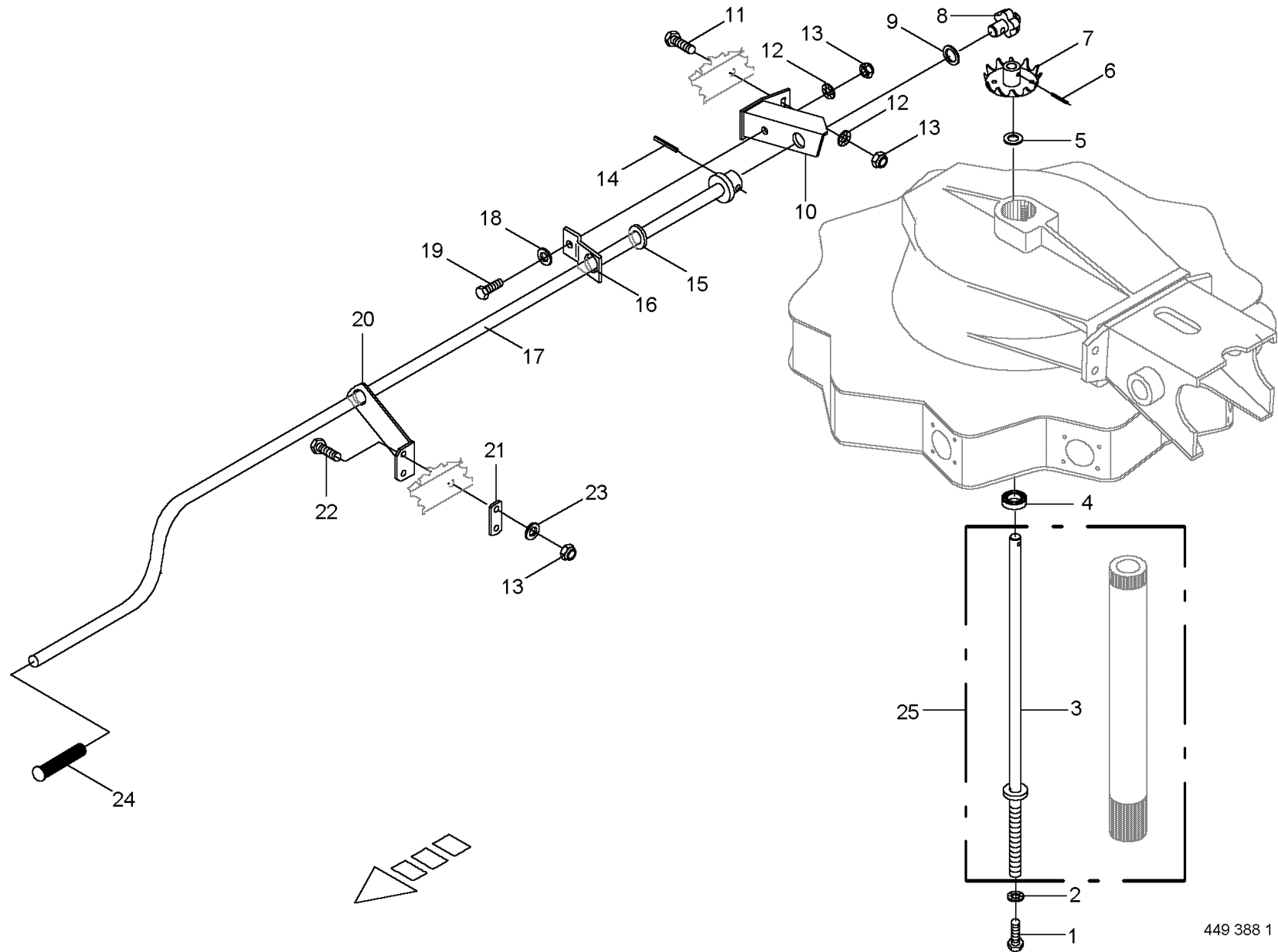


449 386 3

**Left Rear Rotor Safety Frame**

## Left Rear Rotor Safety Frame

Item	Part Number	Description	Serial # Ranges	KS-1201	KS-1201A	Notes
39	917.009.0	Lynch Pin		X	X	8 X 42
40	463.431.0	Square Plug		X	X	

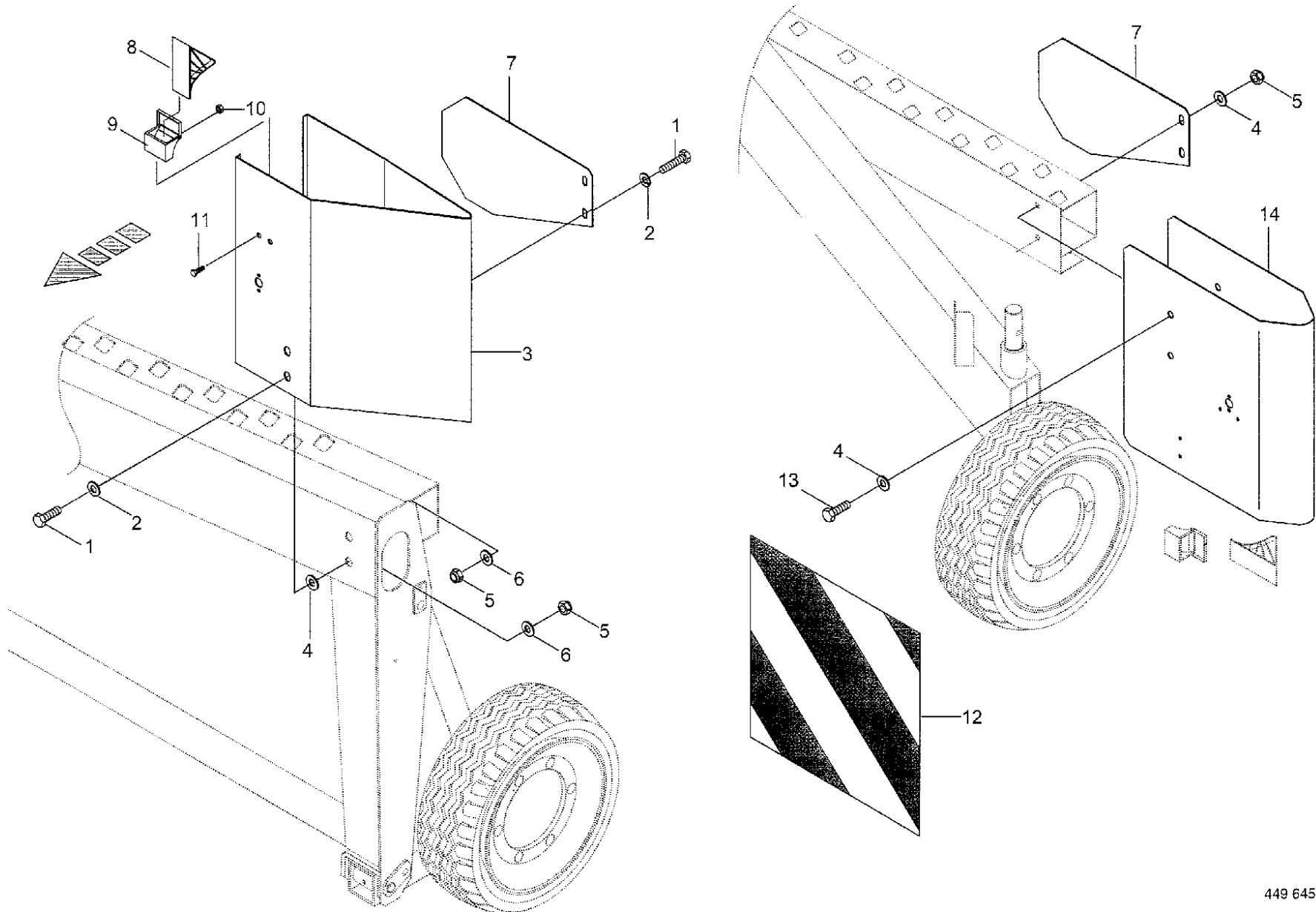


449 388 1

# Rotor Height Crank Handle

## Rotor Height Crank Handle

Item	Part Number	Description	Serial # Ranges	KS-1201	KS-1201A	Notes
1	900.632.0	Hex Head Bolt		X	X	M10 X 16
2	909.909.0	Detent Edged Washer		X	X	SKM 10
3	265.837.0	Threaded Spindle		X	X	
4	933.504.0	Thrust Ball Bearing		X	X	511 04
5	910.512.2	Washer		X	X	B 21
6	912.643.0	Roll Pin		X	X	6 X 36
7	265.162.0	Toothed Segment		X	X	
8	139.621.1	Gear		X	X	Z=5
9	910.727.0	Washer		X	X	S 35 X 45 X 2.5
10	265.322.0	Holder Right		X	X	
11	265.323.0	Support		X	X	
	900.658.0	Hex Head Bolt		X	X	M12 X 40
	900.306.0	Hex Head Bolt		X	X	M12 X 70
12	909.910.0	Detent Edged Washer		X	X	SKM 12
13	908.701.0	Hex Nut		X	X	M12
14	912.714.0	Roll Pin		X	X	10 X 40
15	910.350.0	Washer		X	X	28 X 50 X 4.0
16	266.588.0	Support		X	X	
17	265.321.0	Crank Handle		X	X	
18	910.609.0	Washer		X	X	13 X 37 X 3
19	900.657.0	Hex Head Bolt		X	X	M12 X 35
20	266.555.0	Support		X	X	
21	277.587.0	Plate		X	X	
22	901.455.0	Hex Head Bolt		X	X	M12 X 75
23	910.506.0	Washer		X	X	13 X 24 X 2.5
24	925.007.0	Handle		X	X	
25	265.808.0	Hollow Shaft with Spindle		X	X	



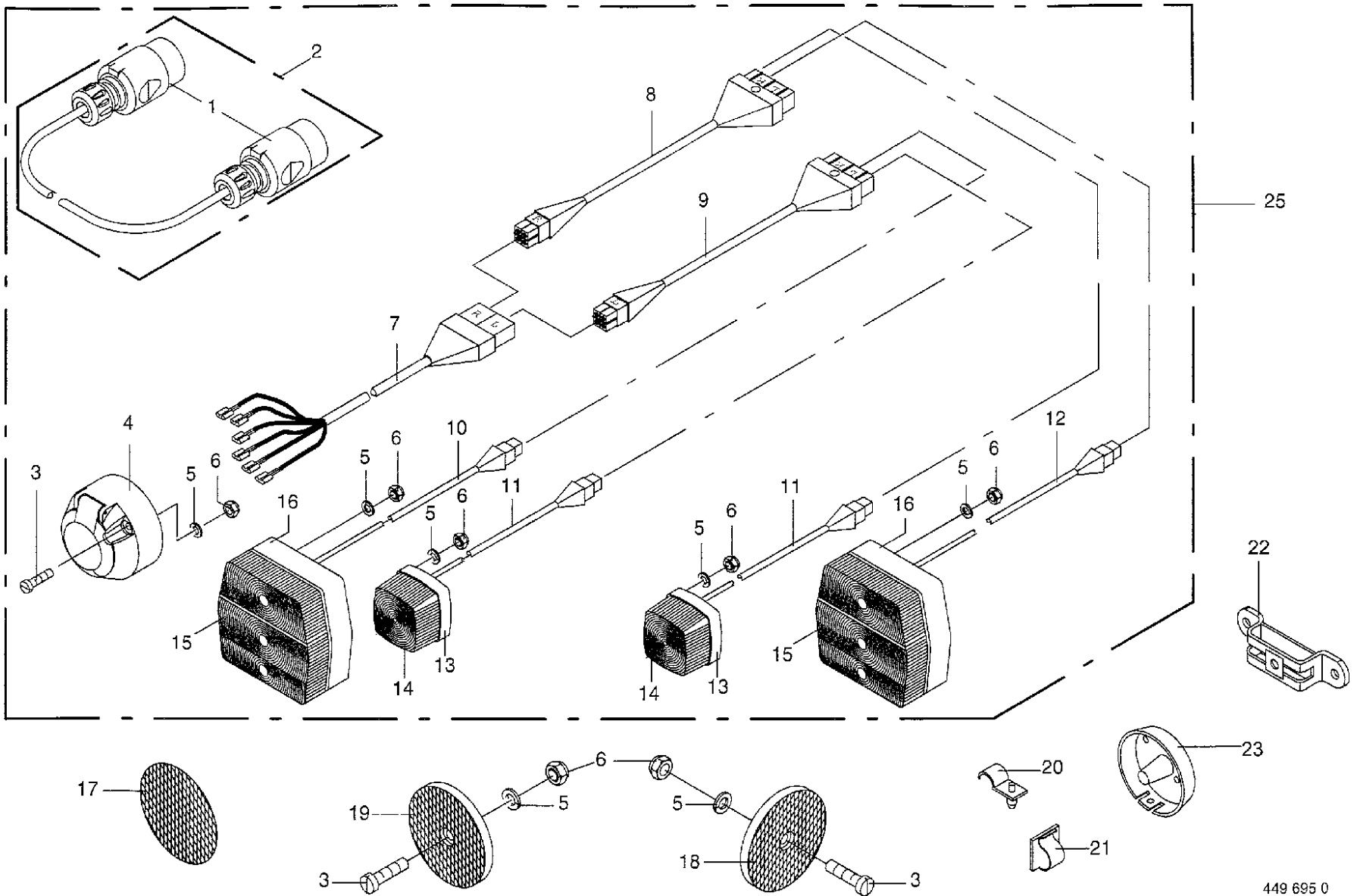
449 645 1

# Warning Panels



## Warning Panels

Item	Part Number	Description	Serial # Ranges	KS-1201	KS-1201A	Notes
1	900.638.0	Hex Head Bolt		X		M10 X 35
2	910.361.0	Washer		X		10.5 X 25 X 4
3	266.701.0	Warning Panel L/H		X		
	266.702.0	Warning Panel R/H		X		
4	910.353.0	Washer		X	X	11 X 34 X 3
5	908.758.0	Hex Nut		X	X	M10
6	910.414.0	Washer		X		10.5 X 21 X 2
7	265.931.0	Plate		X	X	
8	925.014.0	Wheel Chock		X	X	
9	925.109.0	Holder for Block		X	X	
10	908.207.0	Hex Nut		X	X	M5
11	904.345.1	Countersunk Screw		X	X	M5 X 16
12	924.569.0	Decal		4	4	
13	901.447.0	Hex Head Bolt			X	M10 X 140
14	266.785.0	Warning Panel			2	



# Lighting

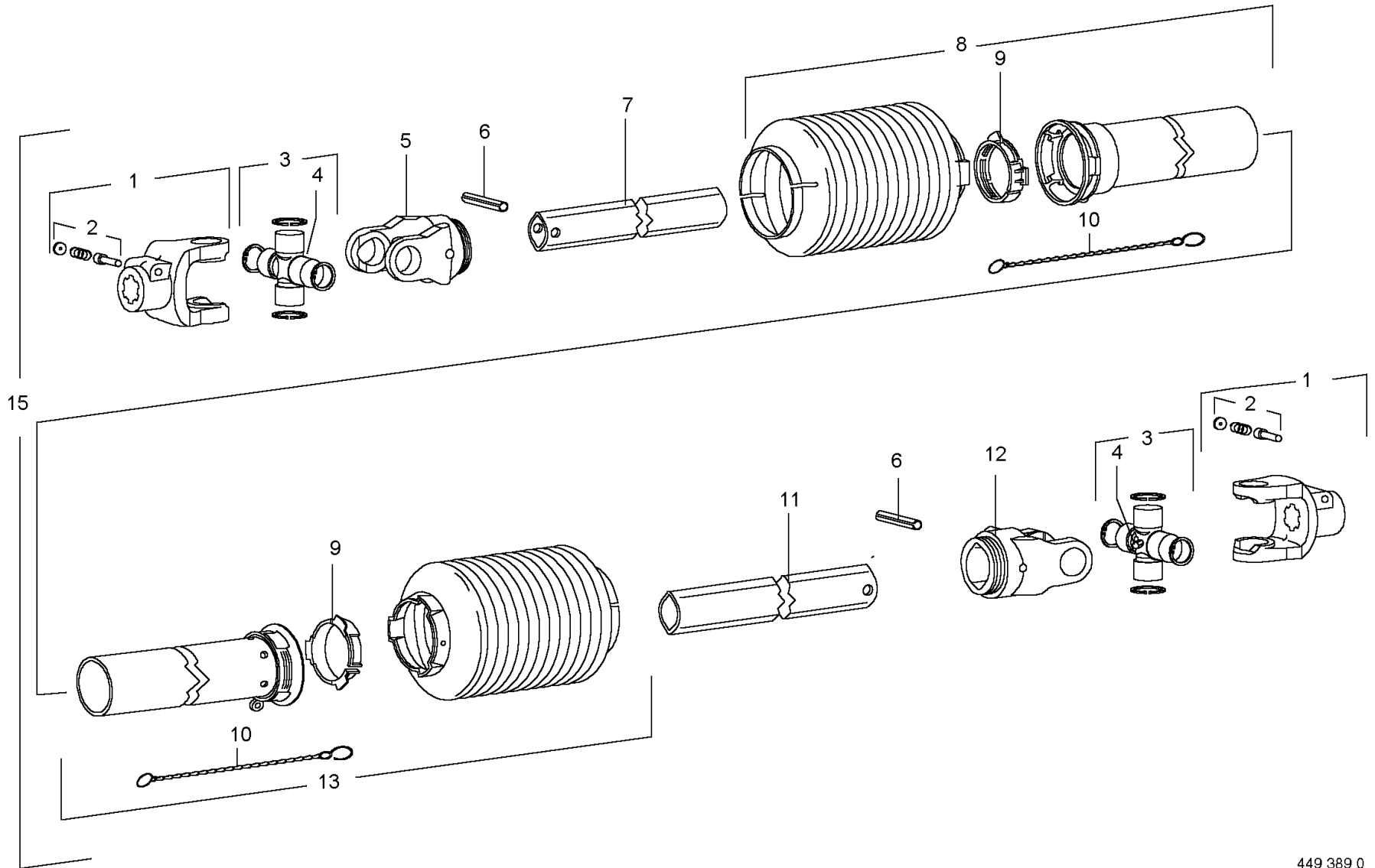
## Lighting

Item	Part Number	Description	Serial # Ranges	KS-1201	KS-1201A	Notes
1	924.576.0	Plug		X	X	7 Pole
2	924.610.1	Extension Cable		X	X	2800mm Long
3	903.661.0	Allen Screw		X	X	AM 5 X 30
4	924.571.0	Socket		X	X	7 Pole
5	910.031.0	Spring Washer		X	X	B 5
6	908.207.0	Hex Nut		X	X	M5
7	924.680.0	Cable		X	X	6 Pole - 6400mm Long
8	924.642.0	Cable		X	X	4 Pole - 1800mm Long
9	924.643.0	Cable		X	X	4 Pole - 1800mm Long
10	924.646.0	Cable		X	X	4 Pole - 1100mm Long
11	924.644.0	Cable		X	X	2 Pole - 720mm Long
12	924.647.0	Cable		X	X	4 Pole - 1100mm Long
13	924.611.0	Lamp		X	X	White
14	924.623.0	Lens for Lamp		X	X	
15	924.699.0	Lens for Lamp		X	X	
16	924.697.0	Lamp		X	X	
17	924.634.0	Side Light, Yellow		X	X	
18	924.535.1	Rear Reflector Red		X	X	
19	924.536.0	Side Light Yellow		X	X	
20	925.112.0	Bottom Pipe Retainer		X	X	
21	925.181.0	Cord Clips		X	X	Rd. 8
22	953.715.0	Holder		X	X	
23	924.517.0	Socket Base		X	X	
24	266.090.0	Lighting Complete		X	X	



## Main PTO Shaft

Item	Part Number	Description	Serial # Ranges	KS-1201	KS-1201A	Notes
1	956.037.0	PTO Shaft Complete		X	X	WWE 2280-SD15/1160
4	949.945.0	Outer Guard Tube		X	X	
5	955.273.0	Male Tube		X	X	
11	949.403.0	Outer Yoke		X	X	
12	949.630.0	Locking Pin Complete		X	X	
13	955.274.0	Overrunning Clutch		X	X	
21	956.560.0	Cross Assembly Complete		X	X	
22	949.629.0	Grease Fitting		X	X	M8 X 1
23	949.465.0	Grooved Yoke		X	X	
24	912.719.0	Roll Pin		X	X	10 X 65
25	949.693.0	Inner Tube		X	X	1000mm Long
26	949.735.0	Outer Tube		X	X	1000mm Long
27	949.372.0	Yoke		X	X	
28	949.373.0	Cross Assembly Complete		X	X	WW 2280
29	955.275.0	Disc		X	X	
30	949.374.0	Double Yoke Complete		X	X	PG 2280
31	919.003.0	Grease Fitting		X	X	H1/S M8 X 1
53	949.352.0	Ring		X	X	
54	949.863.0	Bearing Ring		X	X	
56	955.276.0	Bearing Ring		X	X	
57	949.376.0	PTO Guard		X	X	
58	949.852.0	Chain		X	X	400mm Long
59	949.283.0	Chain		X	X	600mm Long

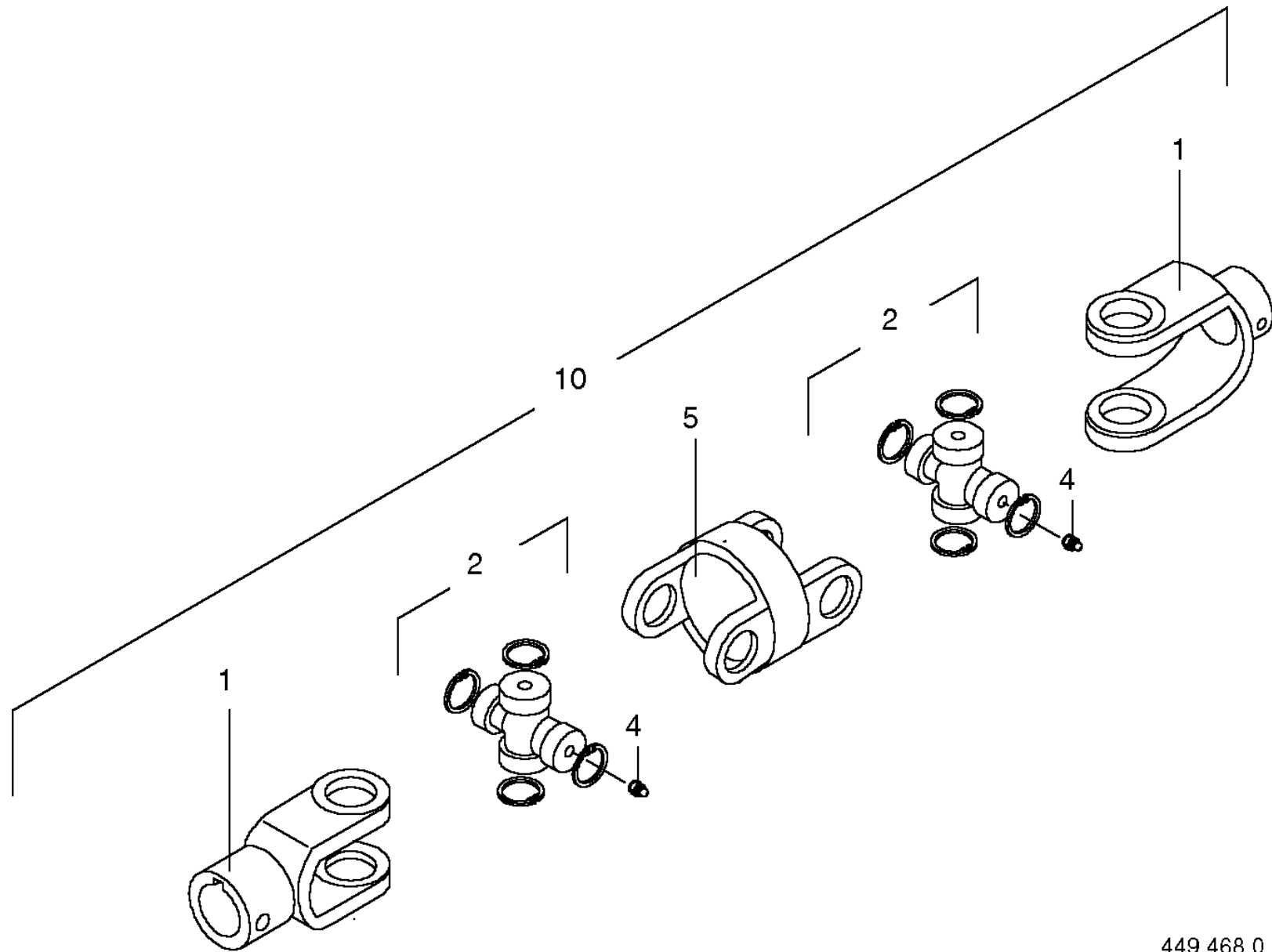


449 389 0

# Wing PTO Shaft

## Wing PTO Shaft

Item	Part Number	Description	Serial # Ranges	KS-1201	KS-1201A	Notes
1	949.403.0	Outer Yoke		X	X	
2	949.630.0	Locking Pin Complete		X	X	
3	956.560.0	Cross Assembly Complete		X	X	
4	949.629.0	Grease Fitting		X	X	M8 X 1
5	949.410.0	Grooved Yoke		X	X	
6	912.719.0	Roll Pin		X	X	10 X 65
7	949.676.0	Profile Tube Inside		X	X	1500mm Long
8	949.401.0	Female Tube		X	X	
9	949.863.0	Bearing Ring		X	X	
10	949.852.0	Chain		X	X	400mm Long
11	949.718.0	Profile Tube Outside		X	X	1500mm Long
12	949.428.0	Grooved Yoke		X	X	
13	949.402.0	Male Tube		X	X	
15	949.189.1	PTO Shaft Complete		2	2	W 2200-SD15/1410



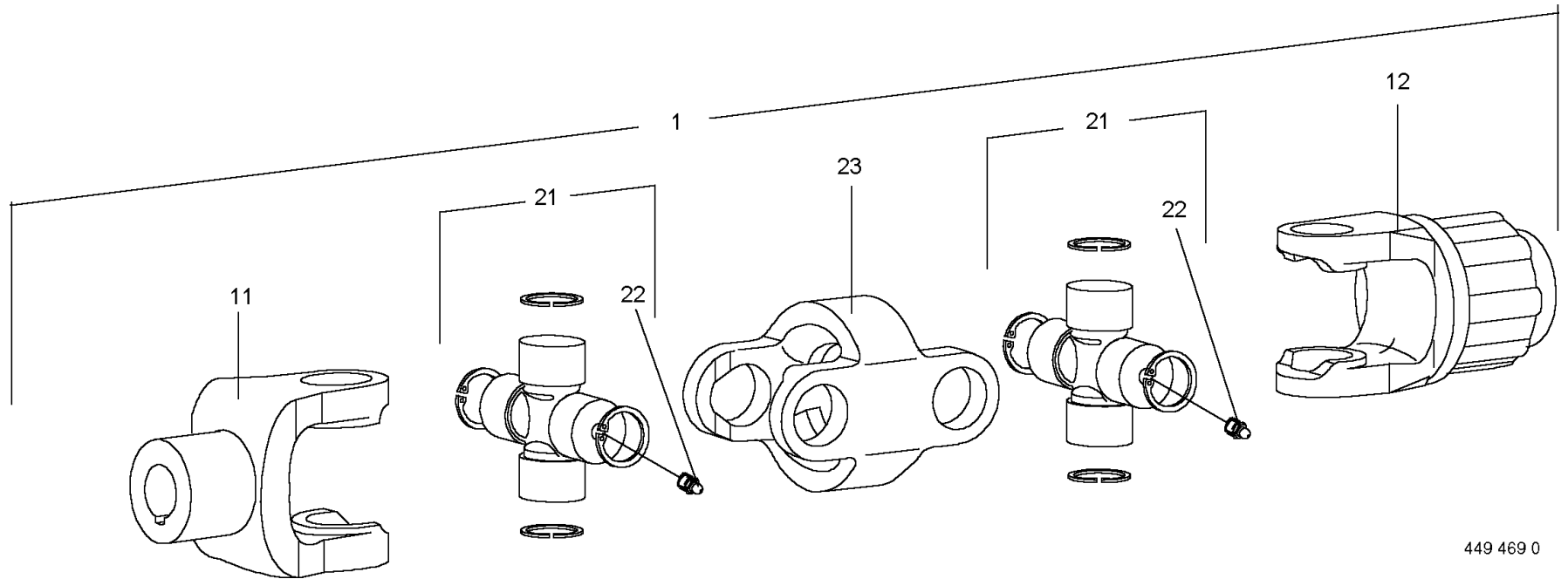
**Wide Angle Universal Joint**

449 468 0



## Wide Angle Universal Joint

Item	Part Number	Description	Serial # Ranges	KS-1201	KS-1201A	Notes
1	956.253.0	Outer Yoke		X	X	
2	956.145.0	Cross Assembly Complete		X	X	Gr. 2
4	919.002.0	Grease Fitting		X	X	H1S M6
5	956.229.0	Double Yoke		X	X	
10	949.154.1	Wide Angle Universal Joint Complete		X	X	Gr. 2



449 469 0

## Double Universal Joint

## Double Universal Joint

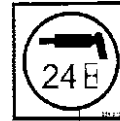
Item	Part Number	Description	Serial # Ranges	KS-1201	KS-1201A	Notes
1	949.391.0	Double Universal Joint		X	X	1 3/8" - 6 Spline
11	949.394.0	Outer Yoke		X	X	DG 2200, RD 30
12	949.370.1	Ratchet Clutch		X	X	600NM - 1 3/8"
21	956.560.0	Cross Assembly Complete		X	X	
22	919.203.0	Grease Fitting		X	X	
23	949.369.0	Double Yoke		X	X	DG 2200-78

**SWADRO 1201**

1

**KRONE**

2



3

1,5 bar

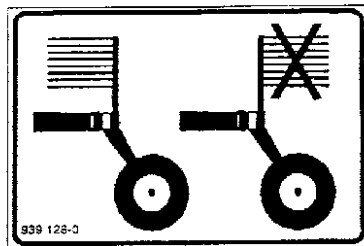
4



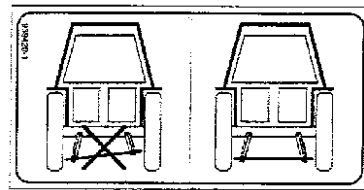
5



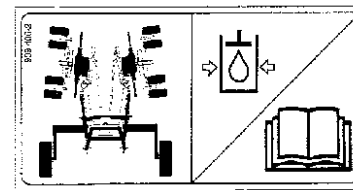
6



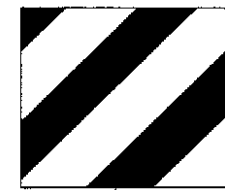
7



9



10



11

12

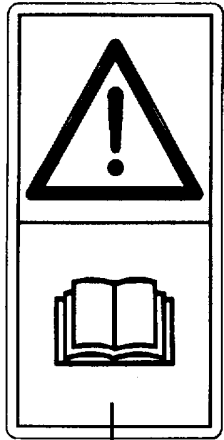


449 390 2

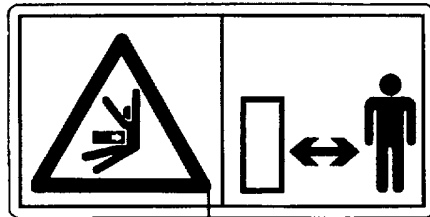
# General Information Decals

## General Information Decals

Item	Part Number	Description	Serial # Ranges	KS-1201	KS-1201A	Notes
1	942.263.1	Decal		X		
	942.338.0	Decal			X	
2	942.301.0	Decal		X	X	775mm Long - Beige
	942.320.0	Decal		X	X	600mm Long
3	939.212.1	Decal		X	X	
4	942.107.1	Decal		X	X	1.5 Bar
	939.183.1	Decal		X	X	1.0 Bar
5	924.597.0	Decal		X	X	
6	924.598.0	Decal		X	X	
7	939.126.0	Decal		X	X	
9	939.420.1	Decal		X	X	
10	939.486.2	Decal		X	X	
11	924.569.0	Decal		X	X	
12	939.218.1	Decal		X	X	25
	939.145.1	Decal		X	X	40



1



2



3



4



5

# Warning Decals

## Warning Decals

Item	Part Number	Description	Serial # Ranges	KS-1201	KS-1201A	Notes
1	939.471.1	Decal		X	X	
2	939.472.2	Decal		X	X	
3	939.574.0	Decal		X	X	
4	939.469.1	Decal		X	X	
5	939.100.0	Decal		X	X	