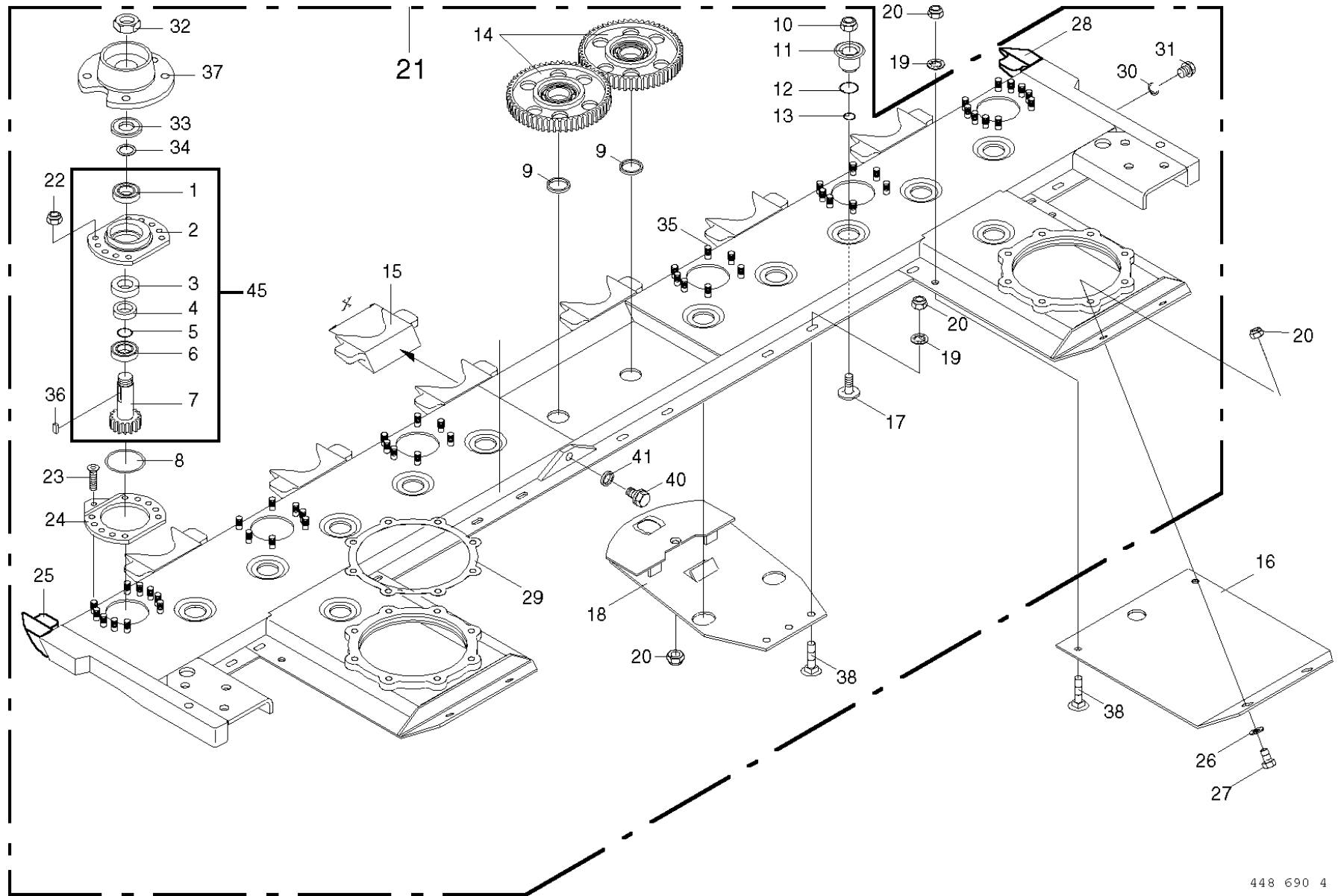


Table Of Contents

Cutterbar - AFA-243/283	2	V-Belt Pulley Bearing	34
Cutterbar - AFA-243/283	4	V-Belt Pulley Bearing	36
Cutterbar Components - AFA-323	6	Flotation Springs	38
Cutterbar Components - AFA-323	8	Guards	40
Cutterbar Drum Drive- AFA-243/283 .	10	Guards	42
Cutterbar Drum Drive - AFA-323	12	Skirts	44
Cutting Discs - AFA-243/283	14	Skirts	46
Cutting Discs - AFA-323	16	Swath Deflectors - AFA-283	48
High Cut Skids	18	PTO Protective Cup / Toolbox	50
Swath Drums - AFA-243/283	20	PTO Shaft - CW Rotation	52
Swath Drums - AFA-323	22	PTO Shaft - CCW Rotation	54
Gearbox R/H	24	PTO Shaft - CCW Rotation	56
Gearbox R/H	26	Double Universal Joint - Bondioli ...	58
Gearbox L/H	28	Dbl. Universal Joint - Walterscheid .	60
Gearbox L/H	30	General Information Decals	62
Headstock	32	Warning Decals	64

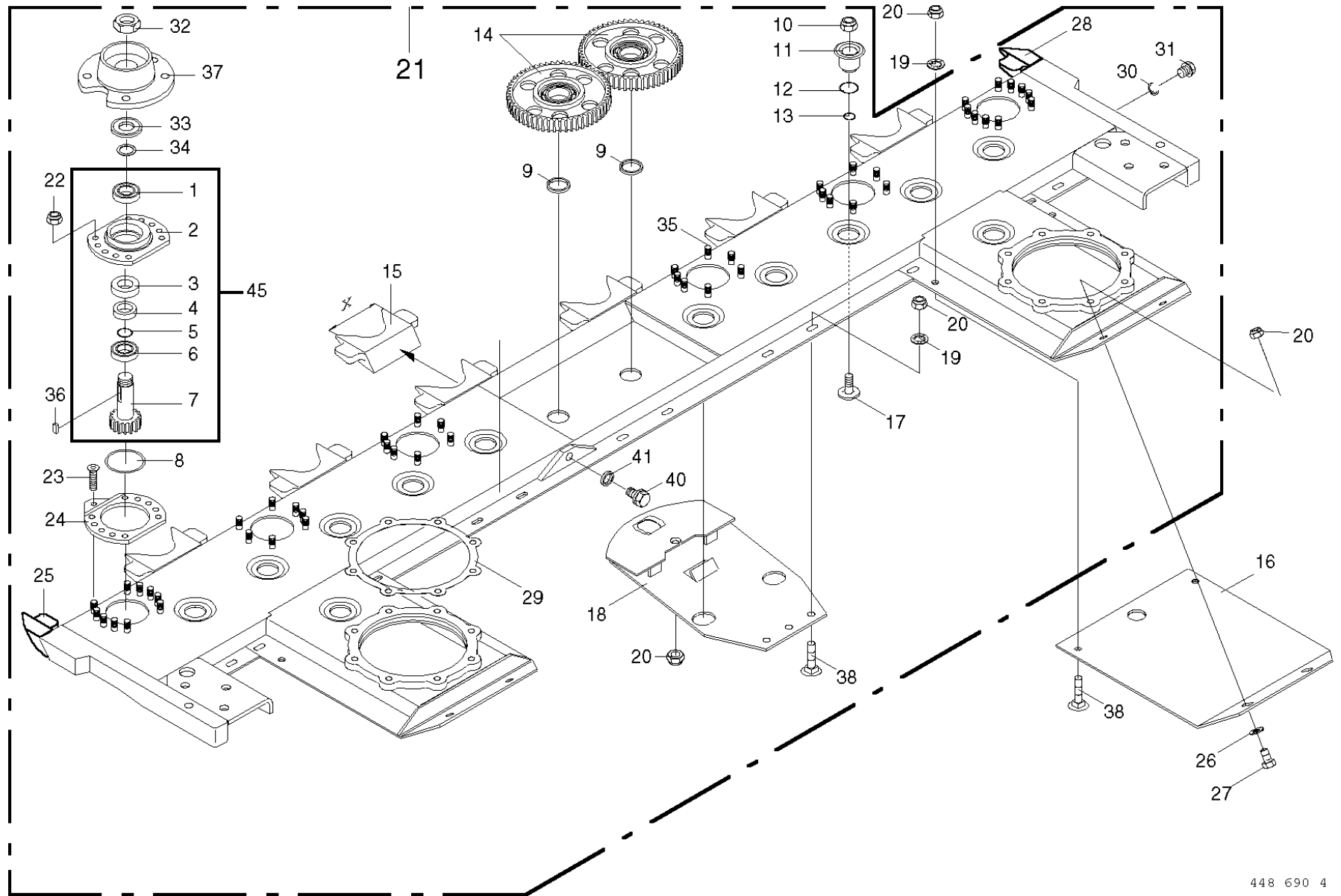


448 690 4

Cutterbar Components - AFA-243/283

Cutterbar Components - AFA-243/283

Item	Part Number	Description	Serial # Ranges	AFA-243RS	AFA-283RS	AFA-323RS	Notes
1	930.566.0	Bearing		6	7		6306 2RS
2	150.042.0	Bearing Housing		6	7		
3	936.150.2	Radial Seal		6	7		BA 40 X 55 X 7
4	146.390.0	Spacer Ring		6	7		
5	937.525.0	O-Ring		6	7		30 X 2
6	930.536.1	Bearing		6	7		6206 2RS
7	150.017.0	Pinion		6	7		Z=16
8	937.553.0	O-Ring		6	7		78.5 X 6.0
9	144.238.4	Washer		12	14		40 X 54 X 4.5
10	909.605.0	Self-Locking Nut		12	14		M14 X 1.5
11	145.095.3	Clamping Piece		12	14		
12	937.511.0	O-Ring		12	14		45 X 4
13	937.523.1	O-Ring		12	14		28 X 3.0
14	139.190.0	Spur Gear		12	14		Z=59
15	150.039.0	Stop Bar		5	6		X=127mm
16	140.144.0	Wear Skid		2	2		
17	150.123.2	Flat Round Bolt		12	14		M14 X 1.5 X 36 - 10.9
18	150.269.0	Skid		6	7		
19	909.909.0	Detent Edged Washer		X	X		SKM 10
20	908.758.0	Hex Nut		X	X		M10
21	140.157.0	Cutterbar		X			
	140.148.0	Cutterbar			X		
	926.101.0	Oil		X	X		SAE 90
22	908.701.0	Hex Nut		X	X		M12
23	904.044.2	Countersunk Screw		X	X		M10 X 20-10.9
24	150.028.0	Skid Holder		6	7		
25	150.222.0	Stop Bar Left		1	1		
26	910.353.0	Washer		X	X		R 11
27	900.636.0	Hex Head Bolt		X	X		M10 X 25
28	150.205.0	Stop Bar R/H		1	1		
29	151.745.0	Gasket		2	2		
30	937.727.0	Gasket Ring		X	X		A 18 X 24 X 1.5
31	906.010.0	Screw Plug		X	X		M18 X 1.5
32	908.536.0	Hex Nut		6	7		M27 X 1.5
33	146.504.0	End Washer		6	7		
34	910.864.0	Shim		6	7		30 X 42 X 1.0
35	906.439.1	Stud		X	X		M12 X 30
36	915.105.0	Flat Key		6	7		B 10 X 8 X 25

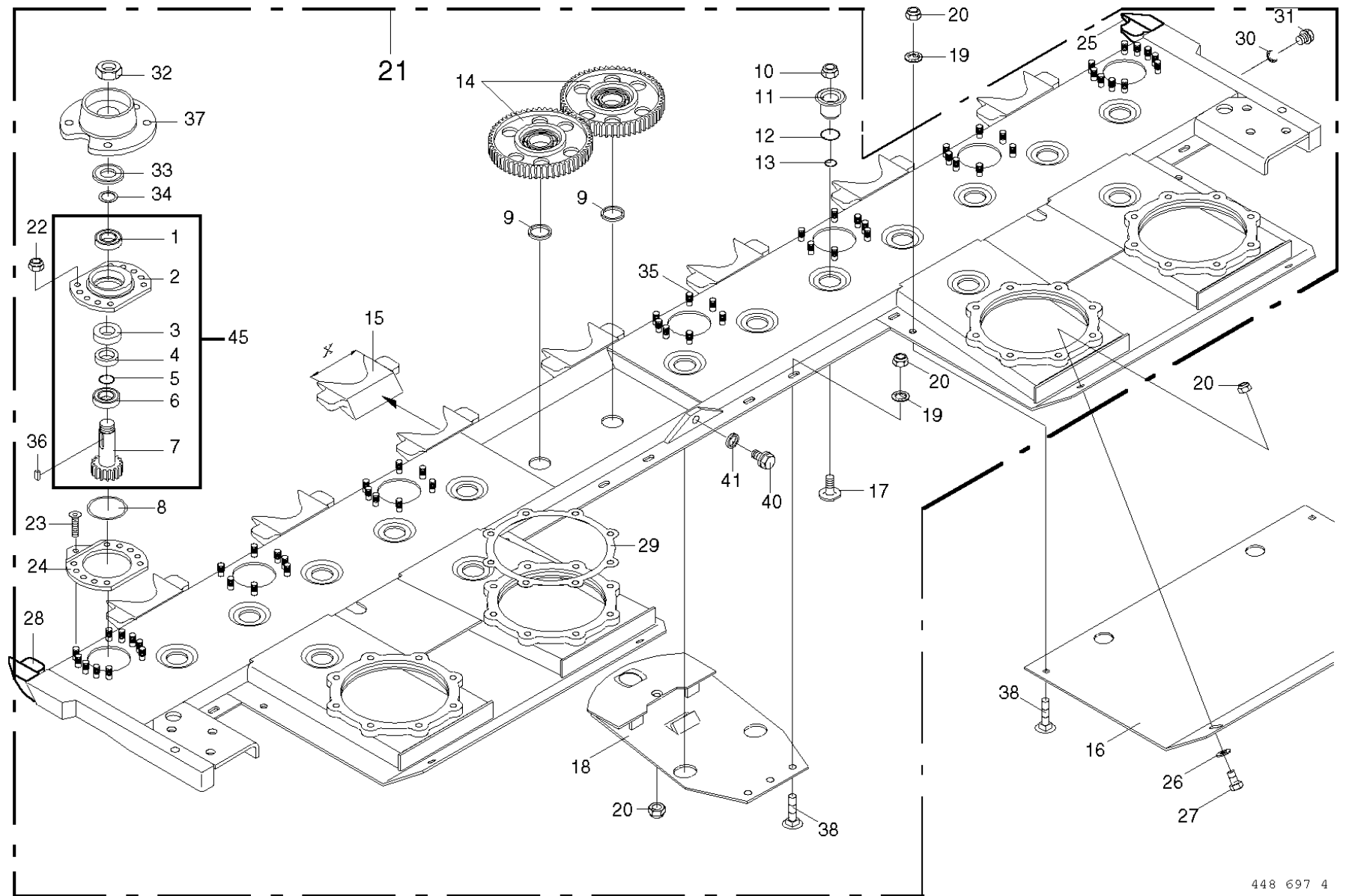


448 690 4

Cutterbar Components - AFA-243/283

Cutterbar Components - AFA-243/283

Item	Part Number	Description	Serial # Ranges	AFA-	AFA-	AFA-	Notes
				243RS	283RS	323RS	
37	150.041.0	Rotor Hub		6	7		
38	904.009.0	Countersunk Screw		X	X		M10 X 25
40	906.007.0	Screw Plug		X	X		M16 X 1.5
41	937.721.0	Gasket Ring		X	X		16 X 22 X 1.5
45	150.043.0	Bearing Housing Complete		6	7		

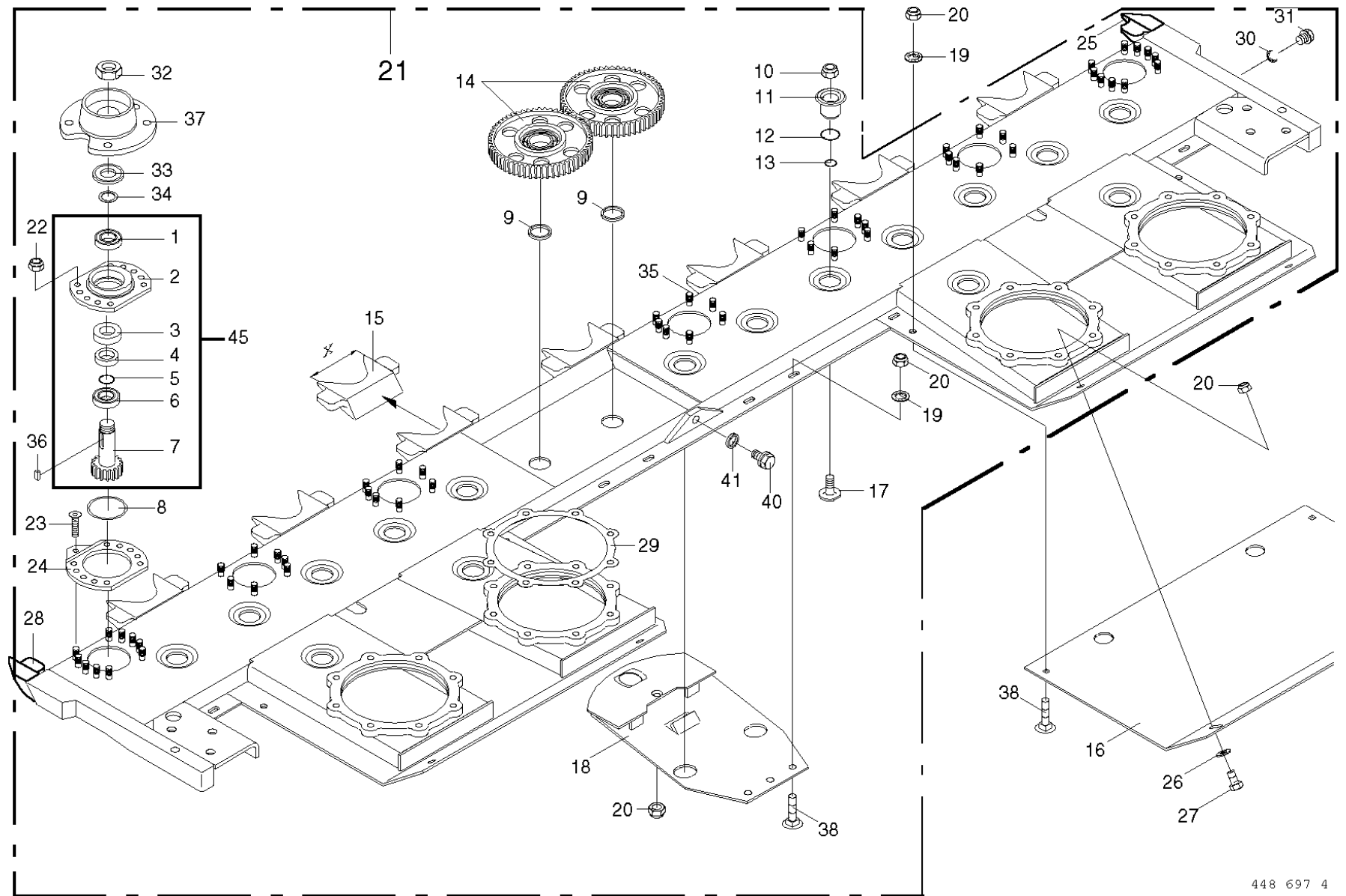


448 697 4

Cutterbar Components - AFA-323

Cutterbar Components - AFA-323

Item	Part Number	Description	Serial # Ranges	AFA-	AFA-	AFA-	Notes
				243RS	283RS	323RS	
1	930.566.0	Bearing				8	6306 2RS
2	150.042.0	Bearing Housing				8	
3	936.150.2	Radial Seal				8	BA 40 X 55 X 7
4	146.390.0	Spacer Ring				8	
5	937.525.0	O-Ring				8	30 X 2
6	930.536.1	Bearing				8	6206 2RS
7	150.017.0	Pinion				8	Z=16
8	937.553.0	O-Ring				8	78.5 X 6.0
9	144.238.4	Washer				18	40 X 54 X 4.5
10	909.605.0	Self-Locking Nut				18	M14 X 1.5
11	145.095.3	Clamping Piece				18	
12	937.511.0	O-Ring				18	45 X 4
13	937.523.1	O-Ring				18	28 X 3.0
14	139.190.0	Spur Gear				18	Z=59
15	150.039.0	Stop Bar				7	X=127mm
16	140.171.0	Wear Skid				2	
17	150.123.2	Flat Round Bolt				18	M14 X 1.5 X 36 - 10.9
18	150.269.0	Skid				8	
19	909.909.0	Detent Edged Washer				X	SKM 10
20	908.758.0	Hex Nut				X	M10
21	140.176.0	Cutterbar				X	
22	908.701.0	Hex Nut				X	M12
23	904.044.2	Countersunk Screw				X	M10 X 20 - 10.9
24	150.028.0	Skid Holder				8	
25	150.205.0	Stop Bar R/H				1	
26	910.353.0	Washer				X	R 11
27	900.636.0	Hex Head Bolt				X	M10 X 25
28	150.222.0	Stop Bar Left				1	
29	151.745.0	Gasket				4	
30	937.727.0	Gasket Ring				X	A 18 X 24 X 1.5
31	906.010.0	Screw Plug				X	M18 X 1.5
32	908.536.0	Hex Nut				8	M27 X 1.5
33	146.504.0	End Washer				8	
34	910.864.0	Shim				8	30 X 42 X 1.0
35	906.439.1	Stud				X	M12 X 30
36	915.105.0	Flat Key				8	B 10 X 8 X 25
37	150.041.0	Rotor Hub				8	
38	904.009.0	Countersunk Screw				X	M10 X 25

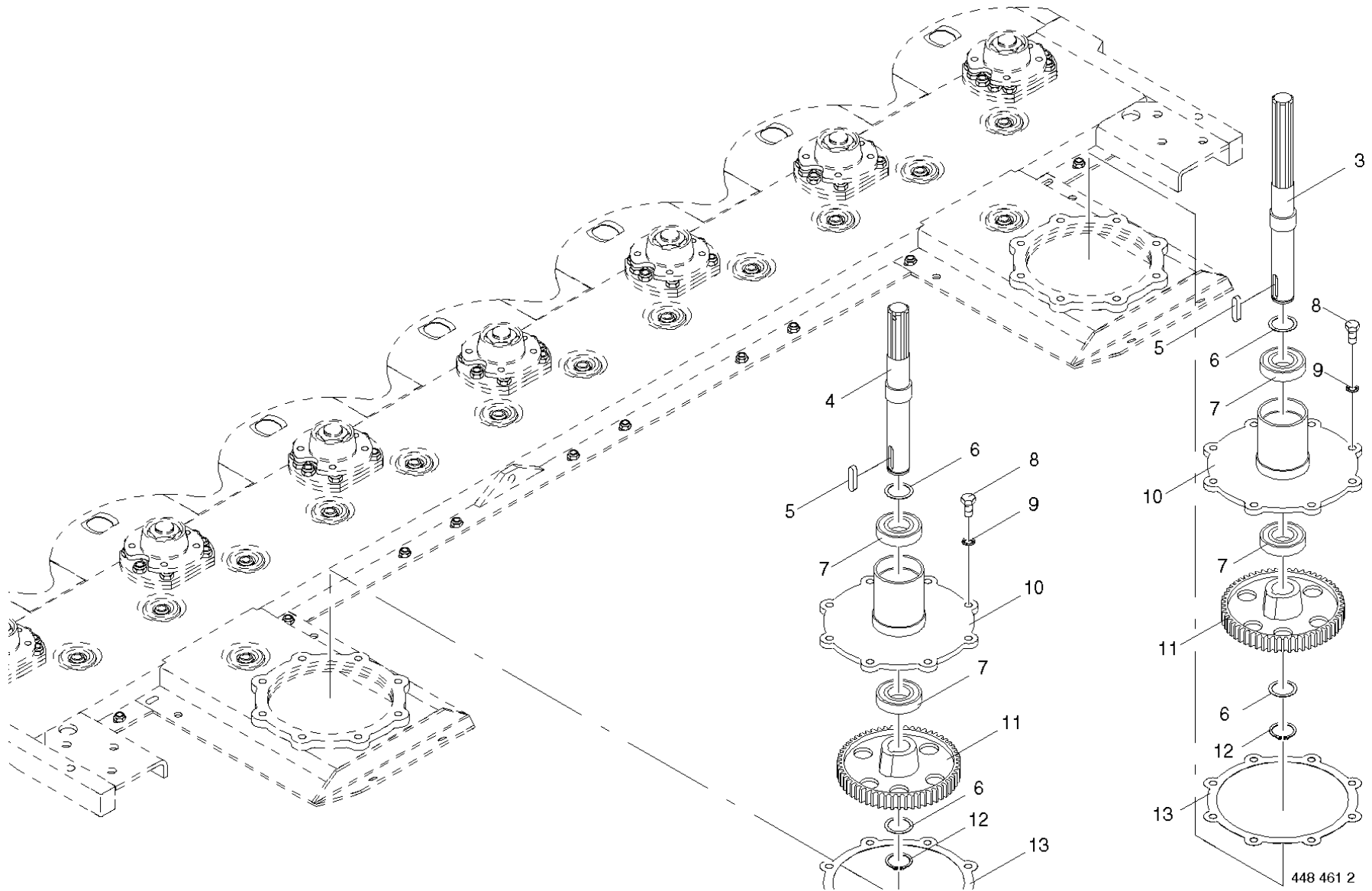


448 697 4

Cutterbar Components - AFA-323

Cutterbar Components - AFA-323

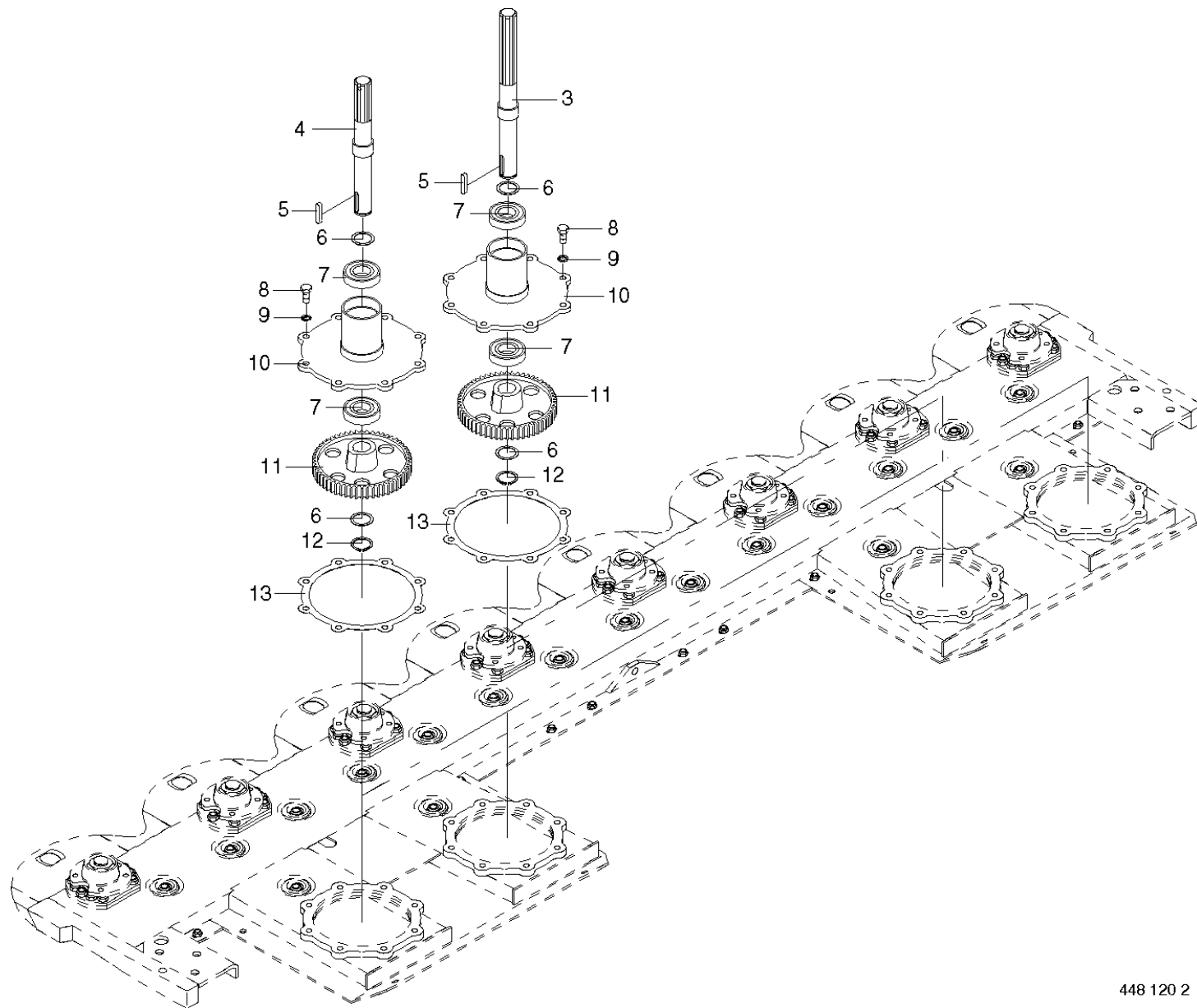
Item	Part Number	Description	Serial # Ranges	AFA- 243RS	AFA- 283RS	AFA- 323RS	Notes
40	906.007.0	Screw Plug				1	M16 X 1.5
41	937.721.0	Gasket Ring				1	16 X 22 X 1.5
45	150.043.0	Bearing Housing Complete				8	



Cutterbar Drum Drive - AFA-243/283

Cutterbar Drum Drive - AFA-243/283

Item	Part Number	Description	Serial # Ranges	AFA-243RS	AFA-283RS	AFA-323RS	Notes
3	151.872.0	Drive Wheel R/H		X	X		Rd. 42 X 395
4	151.869.0	Drive Wheel L/H		X	X		Rd. 42 X 320
5	915.124.1	Flat Key		X	X		A 10 X 8 X 45
6	911.130.0	Shim		X	X		35 X 45 X .1
	911.132.0	Shim		X	X		35 X 45 X .3
7	911.133.0	Shim		X	X		35 X 45 X .5
	911.134.0	Shim		X	X		35 X 45 X 1.0
	930.537.0	Bearing		X	X		6207 2RS
	900.655.0	Hex Head Bolt		X	X		M12 X 25
	909.910.0	Detent Edged Washer		X	X		SKM 12
10	151.724.0	Flange		X	X		
11	144.339.3	Spur Gear		X	X		Z=59
12	911.541.0	Circlip		X	X		35 X 1.5
13	151.745.0	Gasket		X	X		

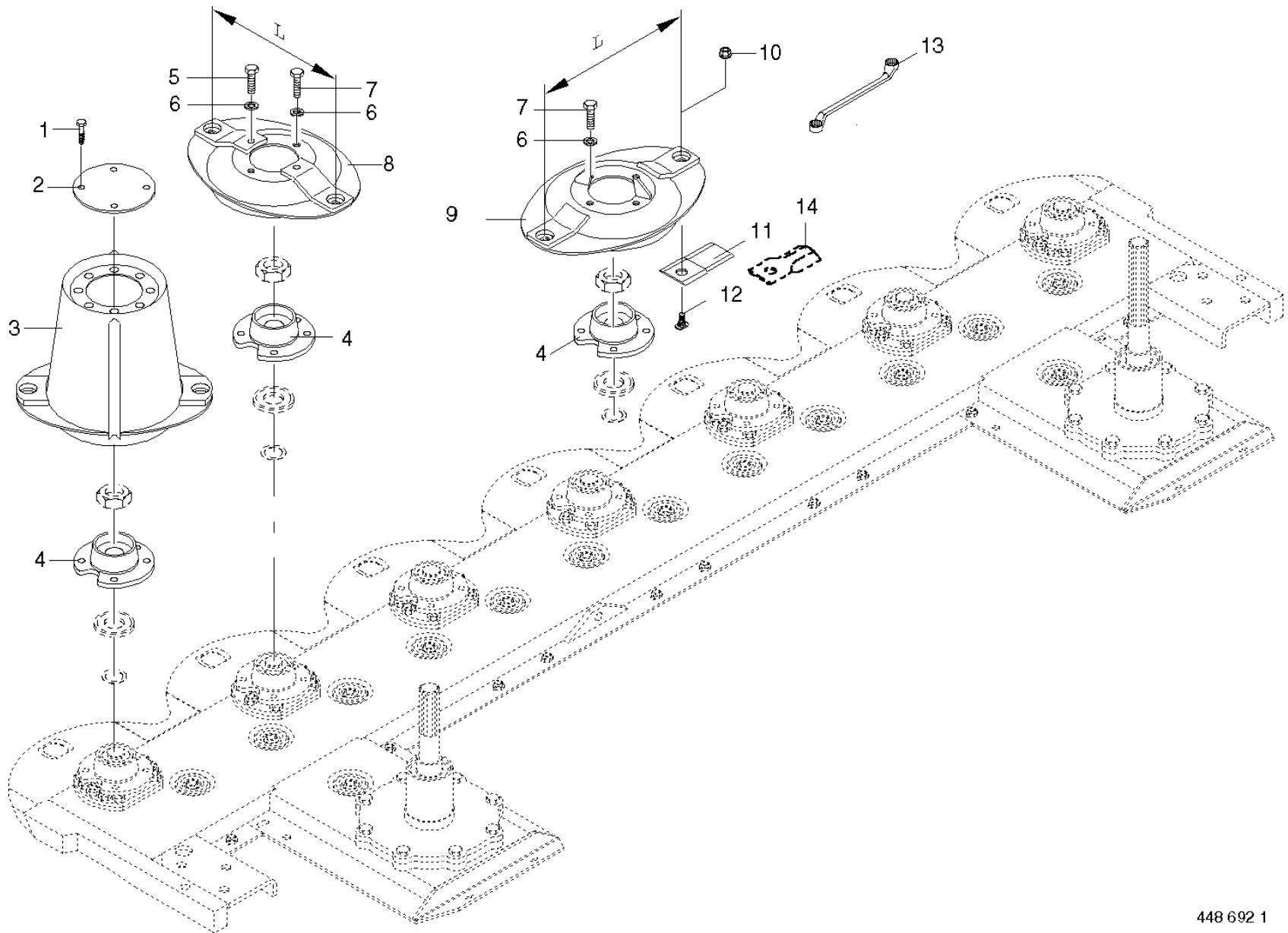


448 120 2

Cutterbar Drum Drive - AFA-323

Cutterbar Drum Drive - AFA-323

Item	Part Number	Description	Serial # Ranges	AFA-	AFA-	AFA-	Notes
				243RS	283RS	323RS	
3	151.872.0	Drive Wheel				1	Rd. 42 X 395
4	151.869.0	Drive Wheel				3	Rd. 42 X 320
5	915.124.1	Flat Key				4	A 10 X 8 X 45
6	911.130.0	Shim				X	35 X 45 X .1
	911.132.0	Shim				X	35 X 45 X .3
	911.133.0	Shim				X	35 X 45 X .5
	911.134.0	Shim				X	35 X 45 X 1.0
7	930.537.0	Bearing				8	6207 2RS
8	900.655.0	Hex Head Bolt				X	M12 X 25
9	909.910.0	Detent Edged Washer				X	SKM 12
10	151.724.0	Flange				4	
11	144.339.3	Spur Gear				4	Z=59
12	911.541.0	Circlip				4	35 X 1.5
13	151.745.0	Gasket				4	

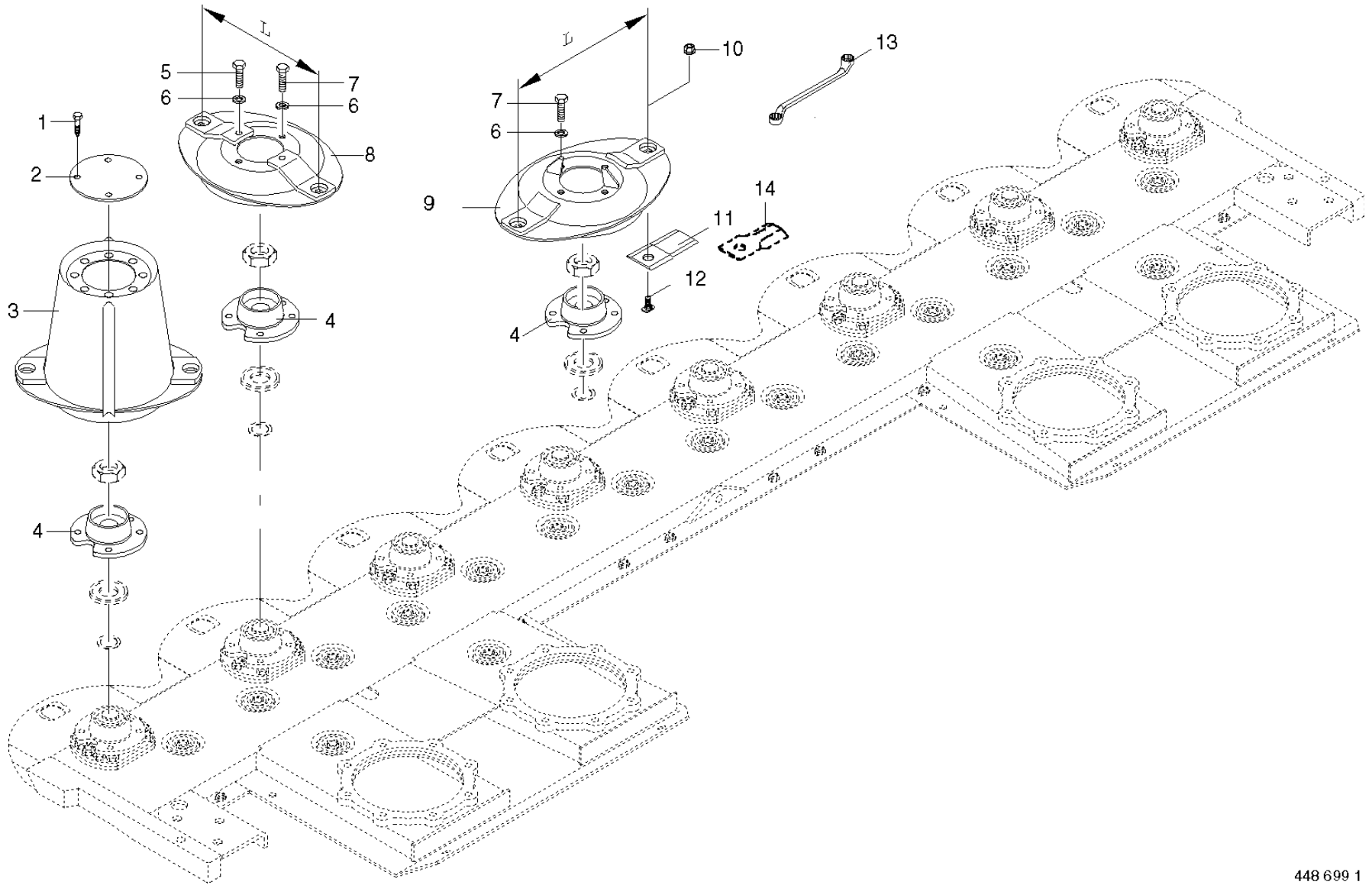


448 692 1

Cutting Discs - AFA-243/283

Cutting Discs - AFA-243/283

Item	Part Number	Description	Serial # Ranges	AFA-	AFA-	AFA-	Notes
				243RS	283RS	323RS	
1	906.984.0	Self-Tapping Screw		X	X		B 6.3 X 13
2	144.943.2	Cover		2	2		
3	150.034.0	Mower Drum		2	2		Includes Items 1 & 2
4	150.041.0	Rotor Hub		6	7		
5	900.636.0	Hex Head Bolt		X	X		M10 X 25
6	909.909.0	Detent Edged Washer		X	X		SKM 10
7	900.632.0	Hex Head Bolt		X	X		M10 X 16
8	139.730.0	Mower Disc		2	3		292mm Long
9	139.680.0	Mower Disc		2	2		320mm Long
10	909.602.1	Self-Locking Nut		12	14		
11	139.888.0	Blade L/H		6	6		112mm Long
	139.889.0	Blade R/H		6	8		112mm Long
12	141.053.4	Blade Bolt		12	14		
13	925.303.1	Wrench		X	X		
14	139.800.0	"Roof Shaped" Blade		12	14		117mm Long

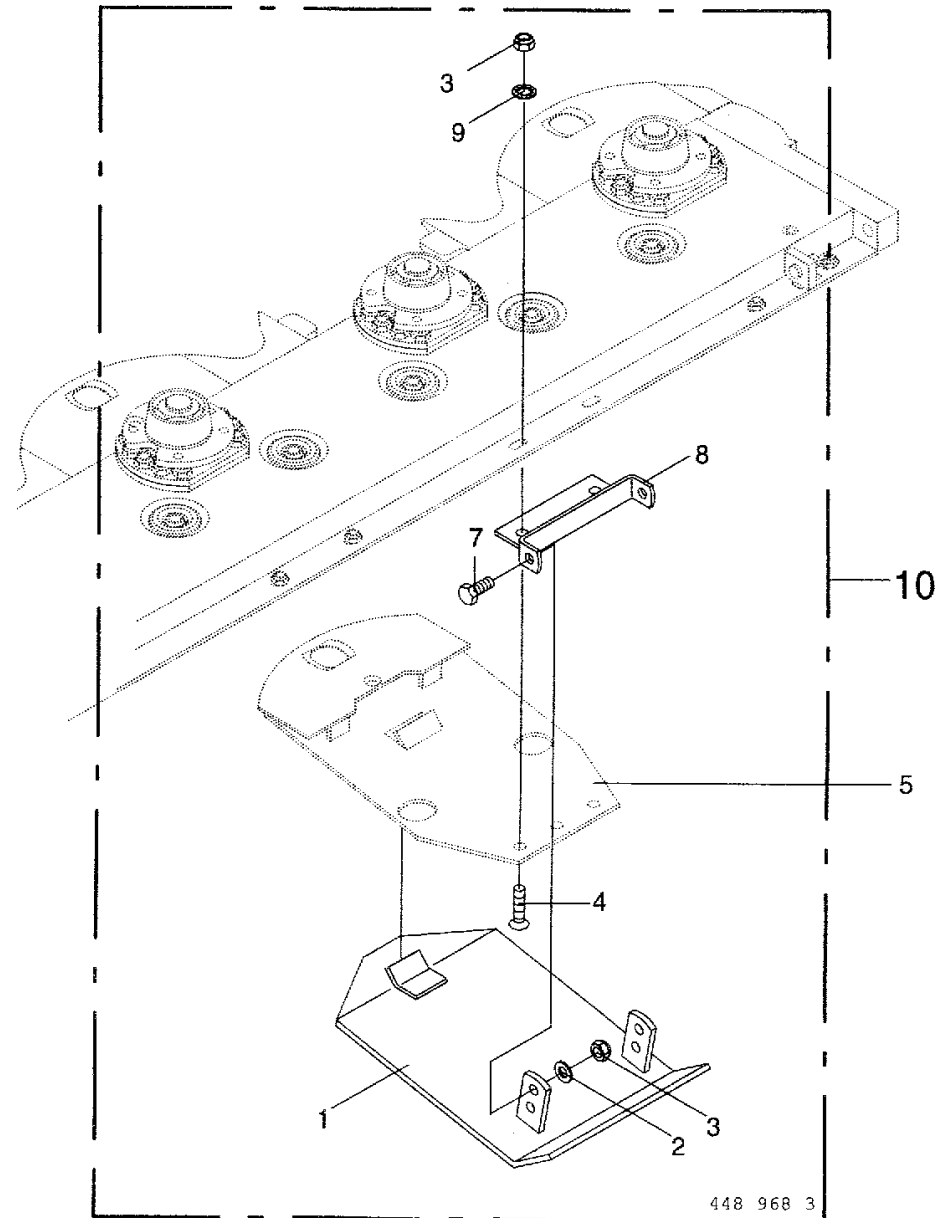


448 699 1

Cutting Discs - AFA-323

Cutting Discs - AFA-323

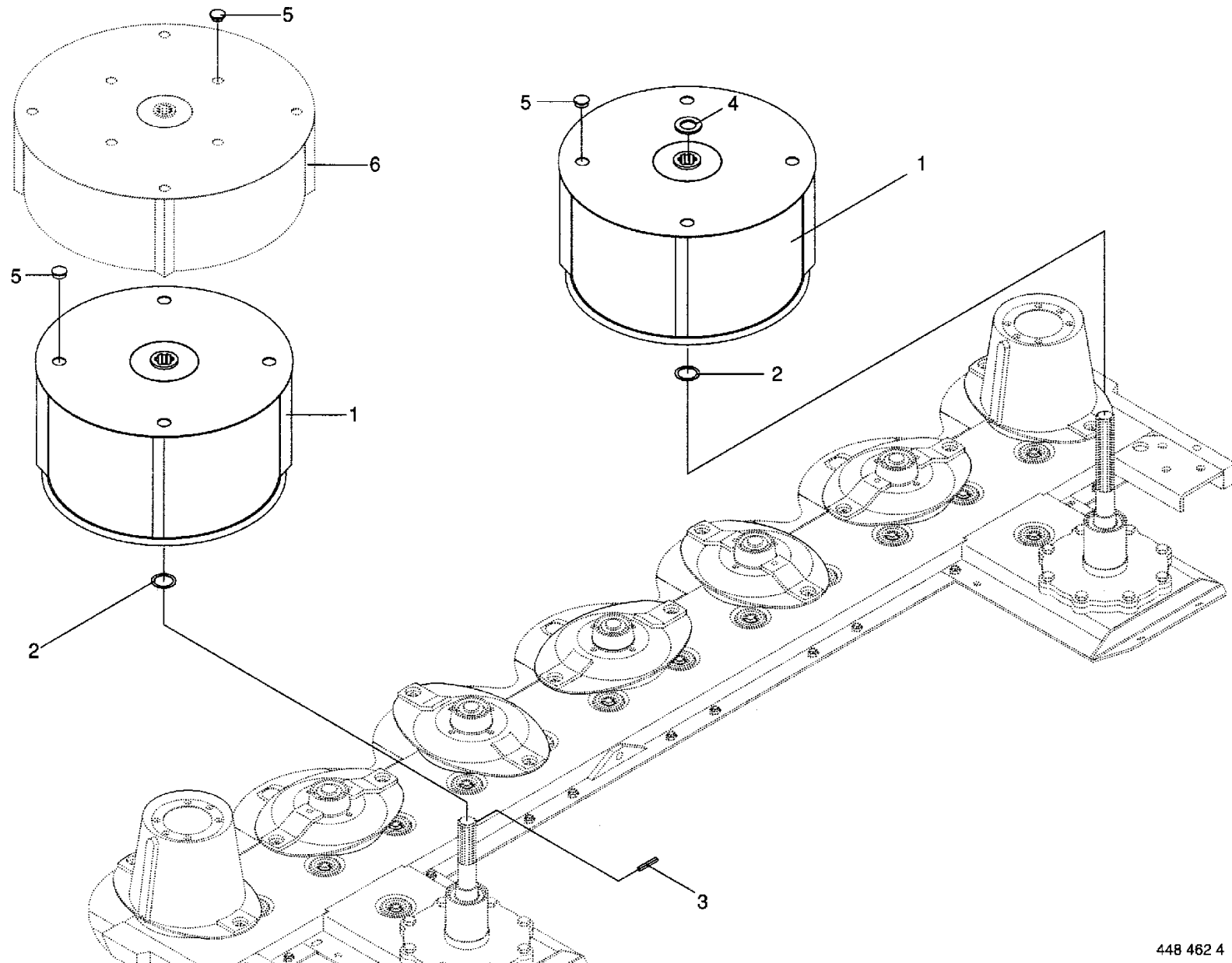
Item	Part Number	Description	Serial # Ranges	AFA-243RS	AFA-283RS	AFA-323RS	Notes
1	906.984.0	Self-Tapping Screw				X	B 6.3 X 13
2	144.943.2	Cover				2	
3	150.034.0	Mower Drum				2	Includes Items 1 & 2
4	150.041.0	Rotor Hub				8	
5	900.636.0	Hex Head Bolt				X	M10 X 25
6	909.909.0	Detent Edged Washer				X	SKM 10
7	900.632.0	Hex Head Bolt				X	M10 X 16
8	139.730.0	Mower Disc				2	292mm Long
9	139.680.0	Mower Disc				4	320mm Long
10	909.602.1	Self-Locking Nut				16	
11	139.888.0	Blade L/H				8	112mm Long
	139.889.0	Blade R/H				8	112mm Long
12	141.053.4	Blade Bolt				16	
13	925.303.1	Wrench				X	
14	139.800.0	"Roof Shaped" Blade				16	117mm Long



High Cut Skids

High Cut Skids

Item	Part Number	Description	Serial # Ranges	AFA-243RS	AFA-283RS	AFA-323RS	Notes
1	150.310.0	High Cut Skid		2	2	2	
2	910.506.0	Washer		X	X	X	13 X 24 X 2.5
3	908.701.0	Hex Nut		X	X	X	M12
4	904.063.1	Countersunk Screw		X	X	X	M12 X 30 - 10.9
5	150.269.0	Skid		X	X	X	
7	900.655.0	Hex Head Bolt		X	X	X	M12 X 25
8	150.314.0	Yoke		X	X	X	
9	909.910.0	Detent Edged Washer		X	X	X	SKM 12
10	150.350.1	High Cut Skid Complete		2	2	2	

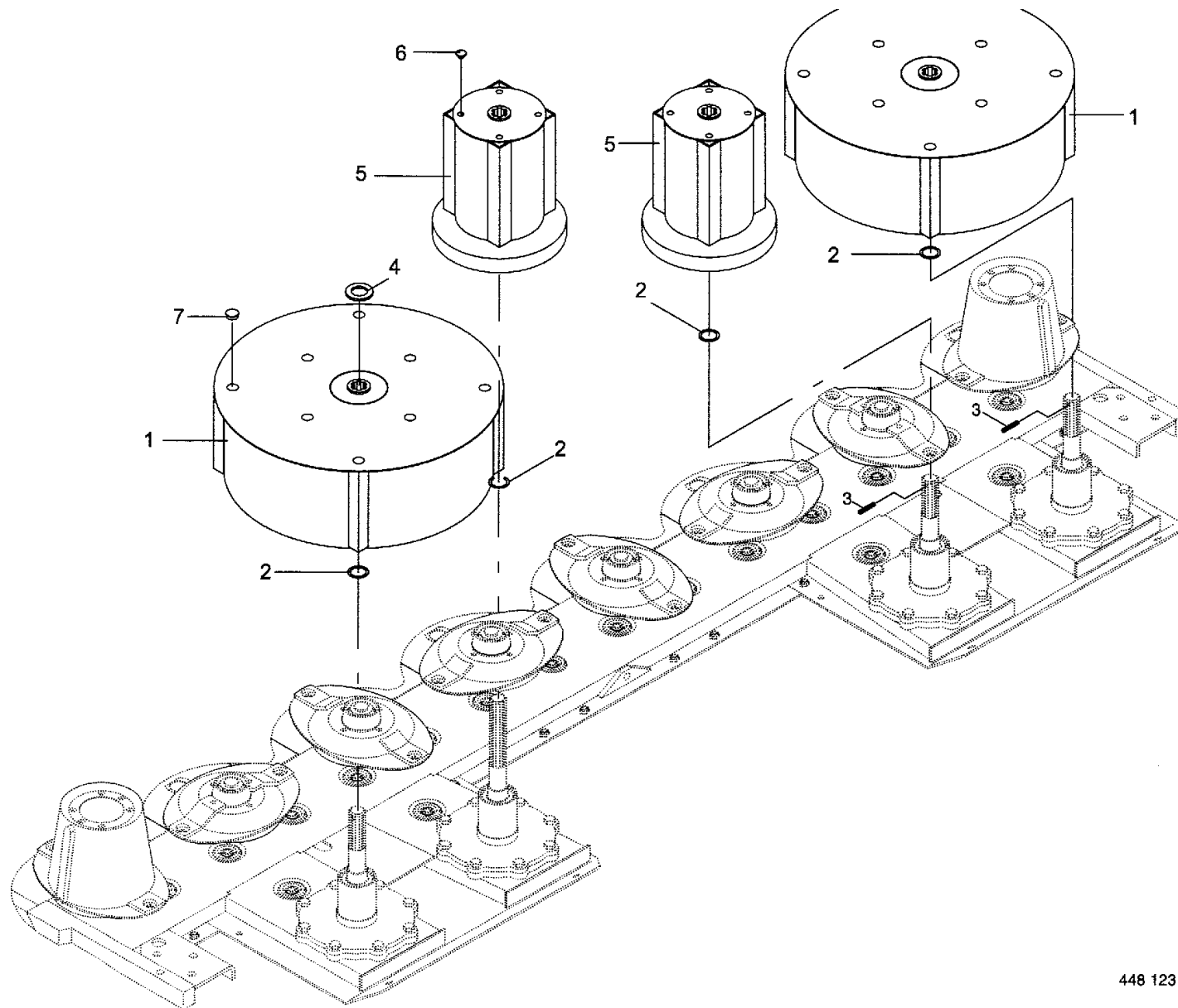


Swath Drums - AFA-243/283

448 462 4

Swath Drums - AFA-243/283

Item	Part Number	Description	Serial # Ranges	AFA-243RS	AFA-283RS	AFA-323RS	Notes
1	151.728.1	Swath Drum		2			
2	911.134.0	Shim		X	X		35 X 45 X 1.0
3	912.675.0	Roll Pin		X	X		8 X 45
4	910.334.0	Washer		X	X		36 X 60 X 5
5	925.029.0	Plastic Guard		16	32		25 er
6	151.452.0	Swath Drum			2		

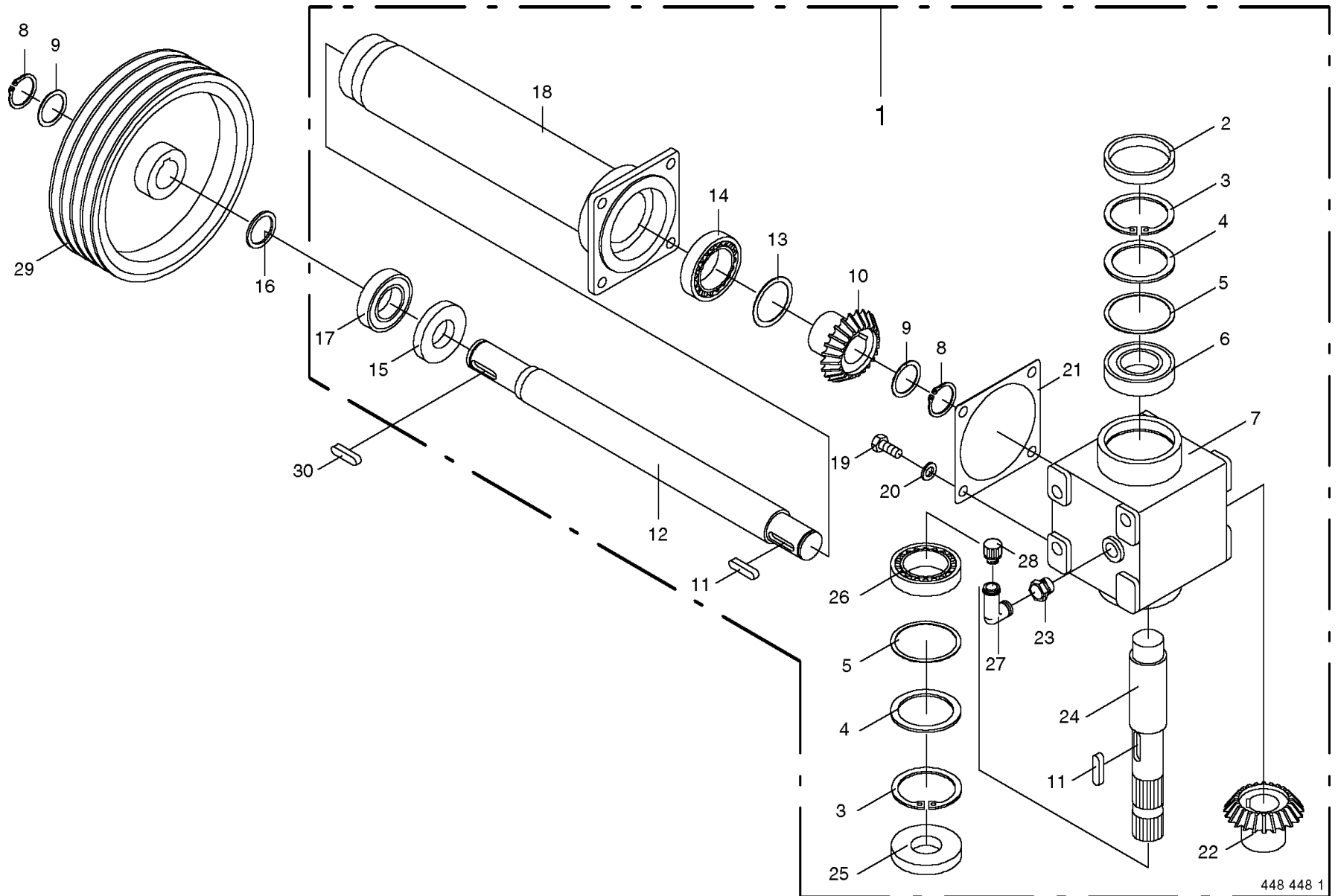


448 123 4

Swath Drums - AFA-323

Swath Drums - AFA-323

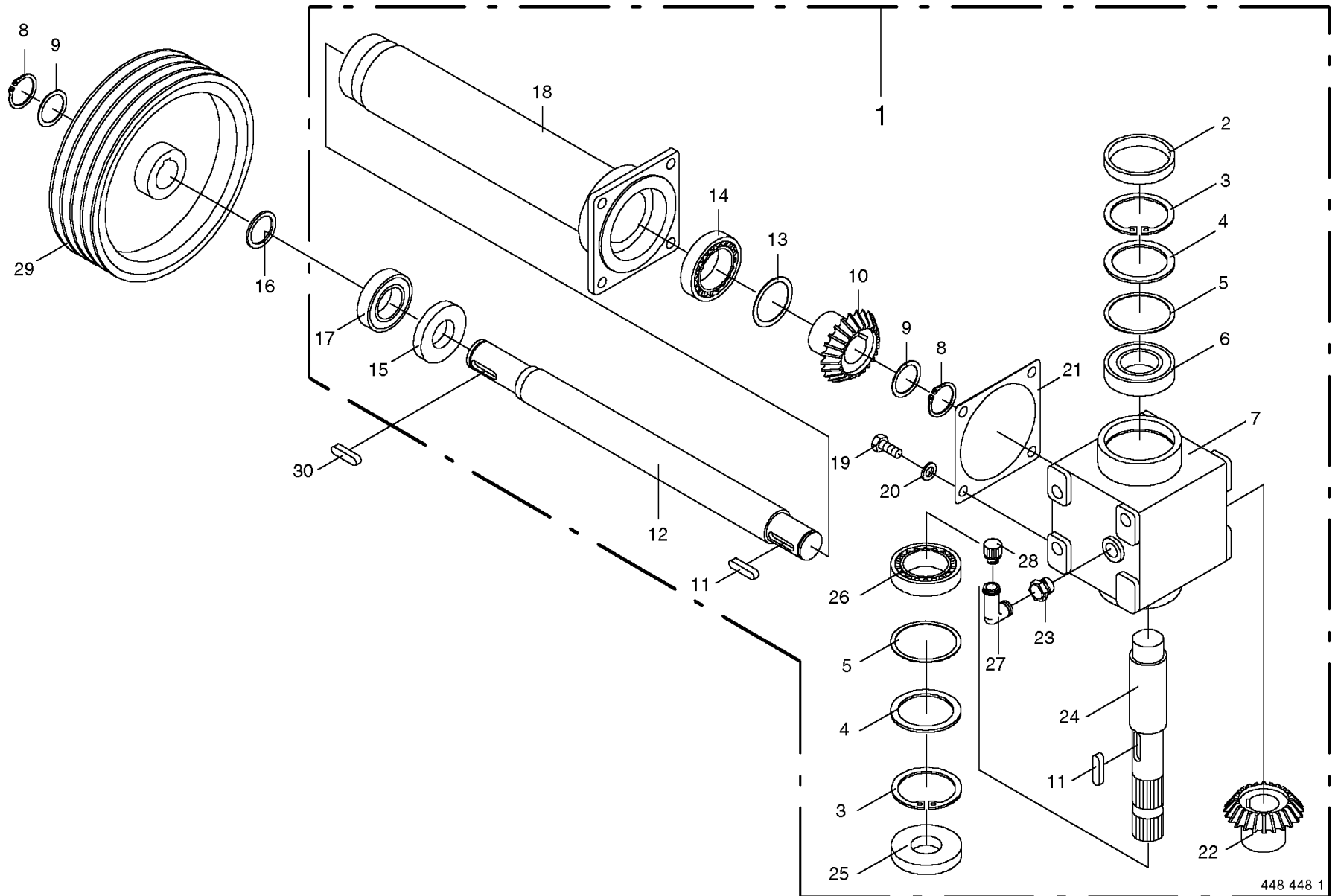
Item	Part Number	Description	Serial # Ranges	AFA-243RS	AFA-283RS	AFA-323RS	Notes
1	151.727.1	Swath Drum				2	
2	911.134.0	Shim				X	35 X 45 X 1.0
3	912.675.0	Roll Pin				X	8 X 45
4	910.334.0	Washer				X	36 X 60 X 5
5	151.815.0	Swath Drum				2	
6	925.010.0	Plastic Guard				16	15 er
7	925.029.0	Plastic Guard				32	25 er



Gearbox R/H

Gearbox R/H

Item	Part Number	Description	Serial # Ranges	AFA-243RS	AFA-283RS	AFA-323RS	Notes
1	140.060.0	Gearbox Complete		X	X	X	
	926.101.0	Oil		X	X	X	SAE 90
2	925.205.1	Core Plug		X	X	X	Rd. 80
3	911.673.0	Circlip		X	X	X	1 80 X 2.5
4	910.741.0	Washer		X	X	X	S 63 X 80 X 3.0
5	911.022.0	Shim		X	X	X	70 X 80 X .1
	911.023.0	Shim		X	X	X	70 X 80 X .3
	911.024.0	Shim		X	X	X	70 X 80 X 1.0
6	930.167.0	Bearing		X	X	X	6307
7	145.396.1	Gearbox Housing		X	X	X	
8	911.541.0	Circlip		X	X	X	35 X 1.5
9	911.132.0	Shim		X	X	X	35 X 45 X .3
	911.133.0	Shim		X	X	X	35 X 45 X .5
	911.134.0	Shim		X	X	X	35 X 45 X 1.0
10	151.701.0	Bevel Wheel		X	X	X	Z=23
11	915.122.0	Flat Key		X	X	X	A 10 X 8 X 40
12	140.065.0	Gearbox Shaft		X	X	X	Rd. 42 X 535
13	910.900.0	Shim		X	X	X	50 X 62 X .1
	910.902.0	Shim		X	X	X	50 X 62 X .3
	910.903.0	Shim		X	X	X	50 X 62 X .5
	910.904.0	Shim		X	X	X	50 X 62 X 1.0
14	932.155.0	Tapered Roller Bearing		X	X	X	32210 A
15	936.352.1	Radial Seal		X	X	X	B2 40 X 65 X 10
16	910.727.0	Washer		X	X	X	S 35 X 45 X 2.5
17	930.537.0	Bearing		X	X	X	6207 2RS
18	140.061.0	Gearbox Neck		X	X	X	
19	900.655.0	Hex Head Bolt		X	X	X	M12 X 25
20	909.910.0	Detent Edged Washer		X	X	X	SKM 12
21	145.212.0	Gearbox Seal		X	X	X	
22	151.702.0	Bevel Wheel		X	X	X	Z=19
23	920.931.0	Threaded Reducing Adapter		X	X	X	M18 X 1.5 / R 1/4"
24	151.839.0	Gearbox Shaft		X	X	X	Rd. 42 X 270
25	936.339.0	Radial Seal		X	X	X	B2 35 X 80 X 13
26	932.177.0	Tapered Roller Bearing		X	X	X	32010
27	925.901.0	Angle		X	X	X	
28	919.802.0	Breather		X	X	X	R 1/4"
29	151.329.2	V-Belt Pulley		X			DW 251
	151.328.1	V-Belt Pulley			X	X	DW 339

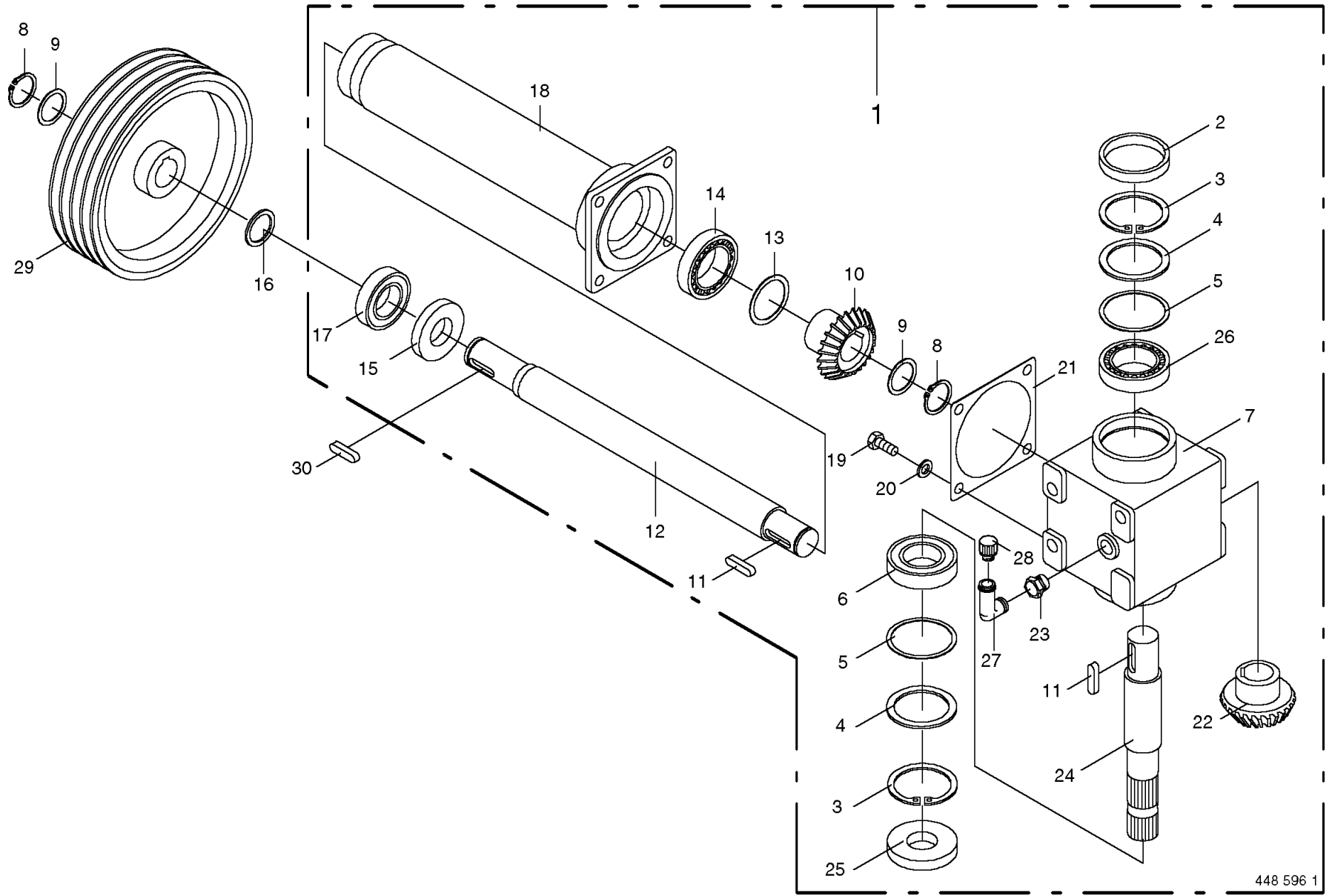


448 448 1

Gearbox R/H

Gearbox R/H

Item	Part Number	Description	Serial # Ranges	AFA- 243RS	AFA- 283RS	AFA- 323RS	Notes
30	915.126.0	Flat Key		X	X	X	A 10 X 8 X 50

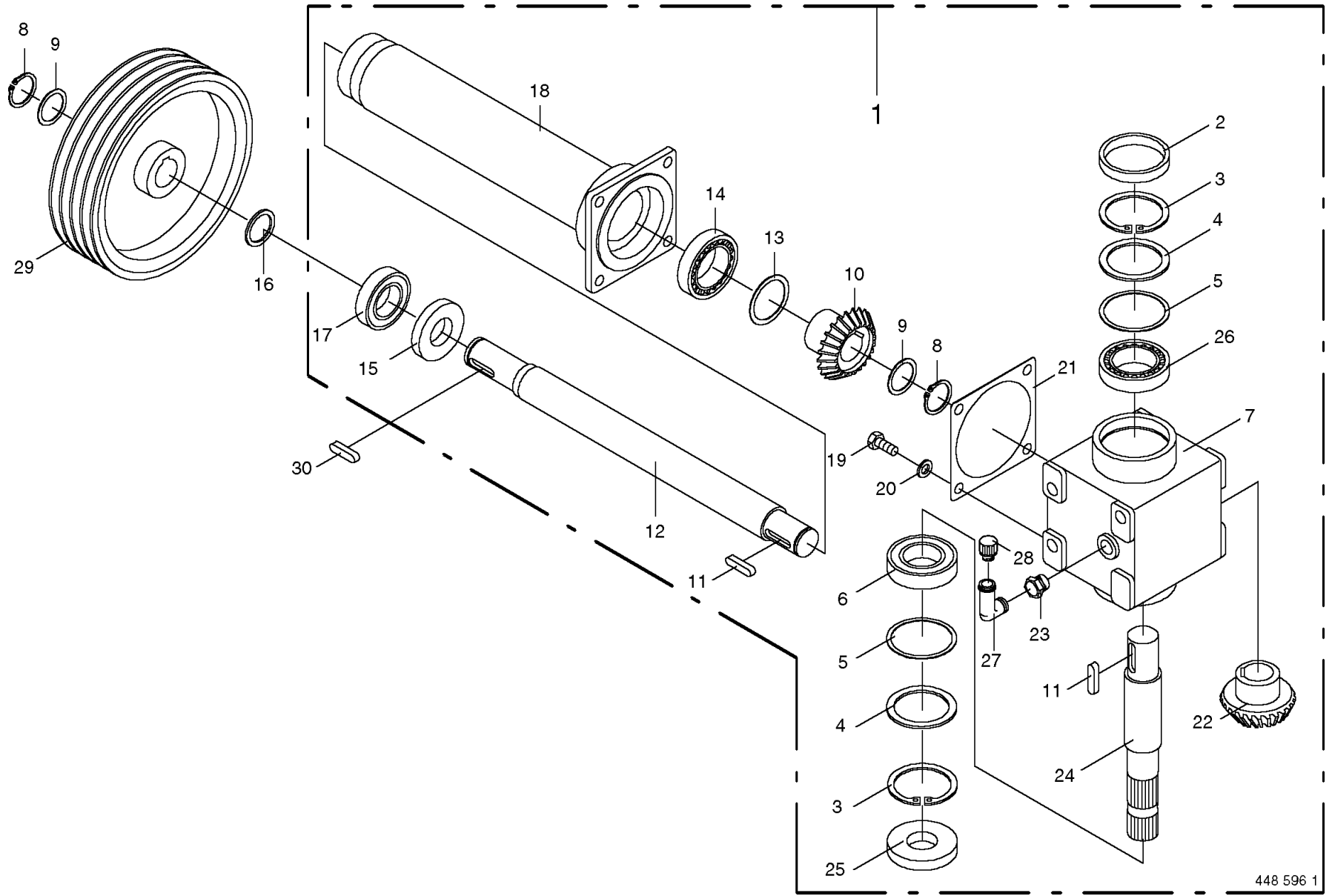


448 596 1

Gearbox L/H

Gearbox L/H

Item	Part Number	Description	Serial # Ranges	AFA-243RS	AFA-283RS	AFA-323RS	Notes
1	140.090.0	Gearbox Complete		X	X	X	
	926.101.0	Oil		X	X	X	SAE 90
2	925.205.1	Core Plug		X	X	X	Rd. 80
3	911.673.0	Circlip		X	X	X	1 80 X 2.5
4	910.741.0	Washer		X	X	X	S 63 X 80 X 3.0
5	911.022.0	Shim		X	X	X	70 X 80 X .1
	911.023.0	Shim		X	X	X	70 X 80 X .3
	911.024.0	Shim		X	X	X	70 X 80 X 1.0
6	930.167.0	Bearing		X	X	X	6307
7	145.396.1	Gearbox Housing		X	X	X	
8	911.541.0	Circlip		X	X	X	35 X 1.5
9	911.132.0	Shim		X	X	X	35 X 45 X .3
	911.133.0	Shim		X	X	X	35 X 45 X .5
	911.134.0	Shim		X	X	X	35 X 45 X 1.0
10	151.701.0	Bevel Wheel		X	X	X	Z=23
11	915.122.0	Flat Key		X	X	X	A 10 X 8 X 40
12	140.065.0	Gearbox Shaft		X	X	X	Rd. 42 X 535
13	910.900.0	Shim		X	X	X	50 X 62 X .1
	910.902.0	Shim		X	X	X	50 X 62 X .3
	910.903.0	Shim		X	X	X	50 X 62 X .5
	910.904.0	Shim		X	X	X	50 X 62 X 1.0
14	932.155.0	Tapered Roller Bearing		X	X	X	32210 A
15	936.352.1	Radial Seal		X	X	X	B2 40 X 65 X 10
16	910.727.0	Washer		X	X	X	S 35 X 45 X 2.5
17	930.537.0	Bearing		X	X	X	6207 2RS
18	140.061.0	Gearbox Neck		X	X	X	
19	900.655.0	Hex Head Bolt		X	X	X	M12 X 25
20	909.910.0	Detent Edged Washer		X	X	X	SKM 12
21	145.212.0	Gearbox Seal		X	X	X	
22	151.702.0	Bevel Wheel		X	X	X	Z=19
23	920.931.0	Threaded Reducing Adapter		X	X	X	M18 X 1.5 / R 1/4"
24	140.087.0	Gearbox Shaft		X	X	X	Rd. 42 X 270
25	936.339.0	Radial Seal		X	X	X	B2 35 X 80 X 13
26	932.177.0	Tapered Roller Bearing		X	X	X	32010
27	925.901.0	Angle		X	X	X	
28	919.802.0	Breather		X	X	X	R 1/4"
29	151.329.2	V-Belt Pulley		X			DW 251
	151.328.1	V-Belt Pulley			X	X	DW 339

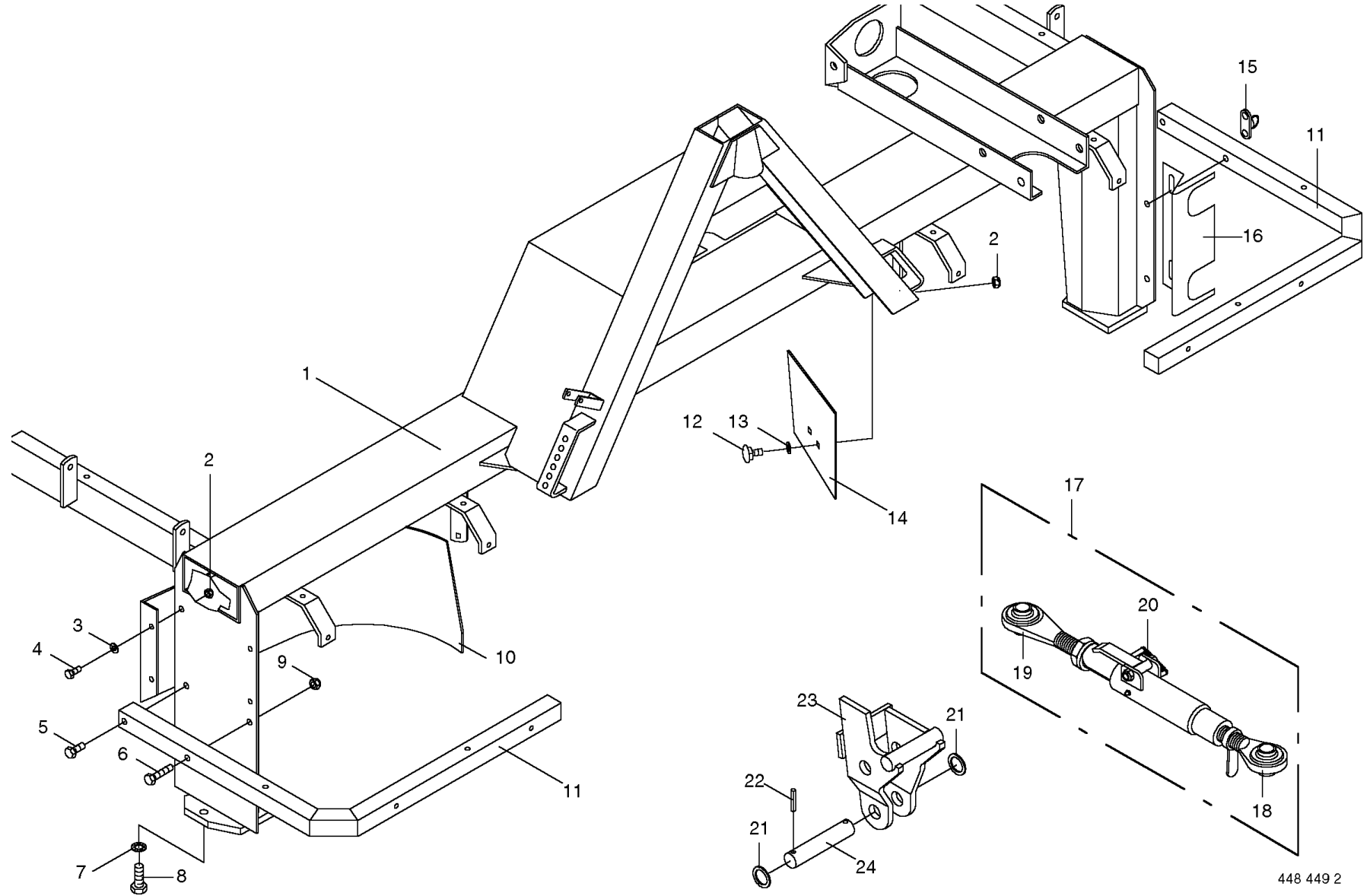


448 596 1

Gearbox L/H

Gearbox L/H

Item	Part Number	Description	Serial # Ranges	AFA- 243RS	AFA- 283RS	AFA- 323RS	Notes
30	915.126.0	Flat Key		X	X	X	A 10 X 8 X 50

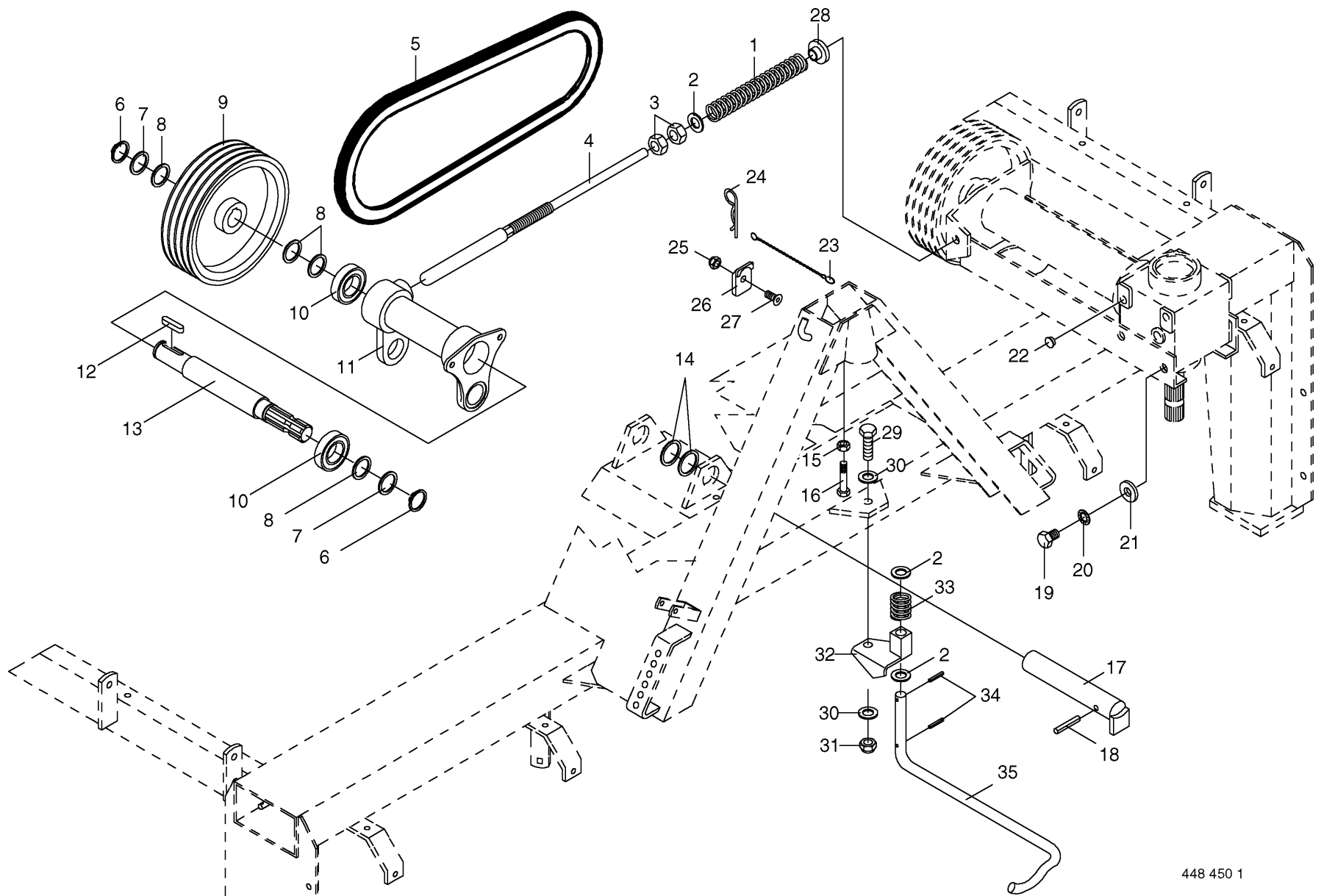


448 449 2

Headstock

Headstock

Item	Part Number	Description	Serial # Ranges	AFA-243RS	AFA-283RS	AFA-323RS	Notes
1	140.015.0 140.016.0 140.101.0	Supporting Beam Supporting Beam Supporting Beam		X	X	X	
2	908.758.0	Hex Nut		X	X	X	M10
3	910.353.0	Washer		X	X	X	R 11
4	900.634.0	Hex Head Bolt		X	X	X	M10 X 20
5	900.655.0	Hex Head Bolt		X	X	X	M12 X 25
6	901.450.2	Hex Head Bolt		X	X	X	M12 X 65
7	909.912.0	Detent Edged Washer		X	X	X	SKM 16
8	900.335.1	Hex Head Bolt		X	X	X	M16 X 30
9	908.701.0	Hex Nut		X	X	X	M12
10	151.496.0 151.497.0 140.078.0 140.079.0	Deflector Plate L/H Deflector Plate R/H Deflector Plate L/H Deflector Plate R/H		X X	X X		
11	151.944.0 151.945.0 140.040.0 140.075.0 140.102.0	Deflector Plate L/H Deflector Plate R/H Drum Guard Drum Guard Drum Guard		X	X	X	
12	904.850.1	Flat Round Bolt		X			M10 X 25
13	910.414.0	Washer		X			A 10.5
14	151.784.0	Deflector		X			
15	924.242.0	Turn Lock		X	X	X	
16	151.054.0	Rear Deflector		X			
17	151.697.0	Rear Deflector			X	X	
18	923.222.0	Telescoping Top Link		X	X	X	Cat. II
19	923.224.0	Hinged Spindle		X	X	X	M30
20	923.224.0	Hinged Spindle		X	X	X	M30
21	003.028.2	Tension Spring		X	X	X	
22	910.702.0	Washer		X	X	X	S 30 X 42 X 2.5
23	912.675.0	Roll Pin		X	X	X	8 X 45
24	140.182.0 140.183.0 140.191.0	Lower Link Adapter L/H Lower Link Adapter R/H Lower Link Pin		X X X	X X X	X X X	Rd. 30 X 150

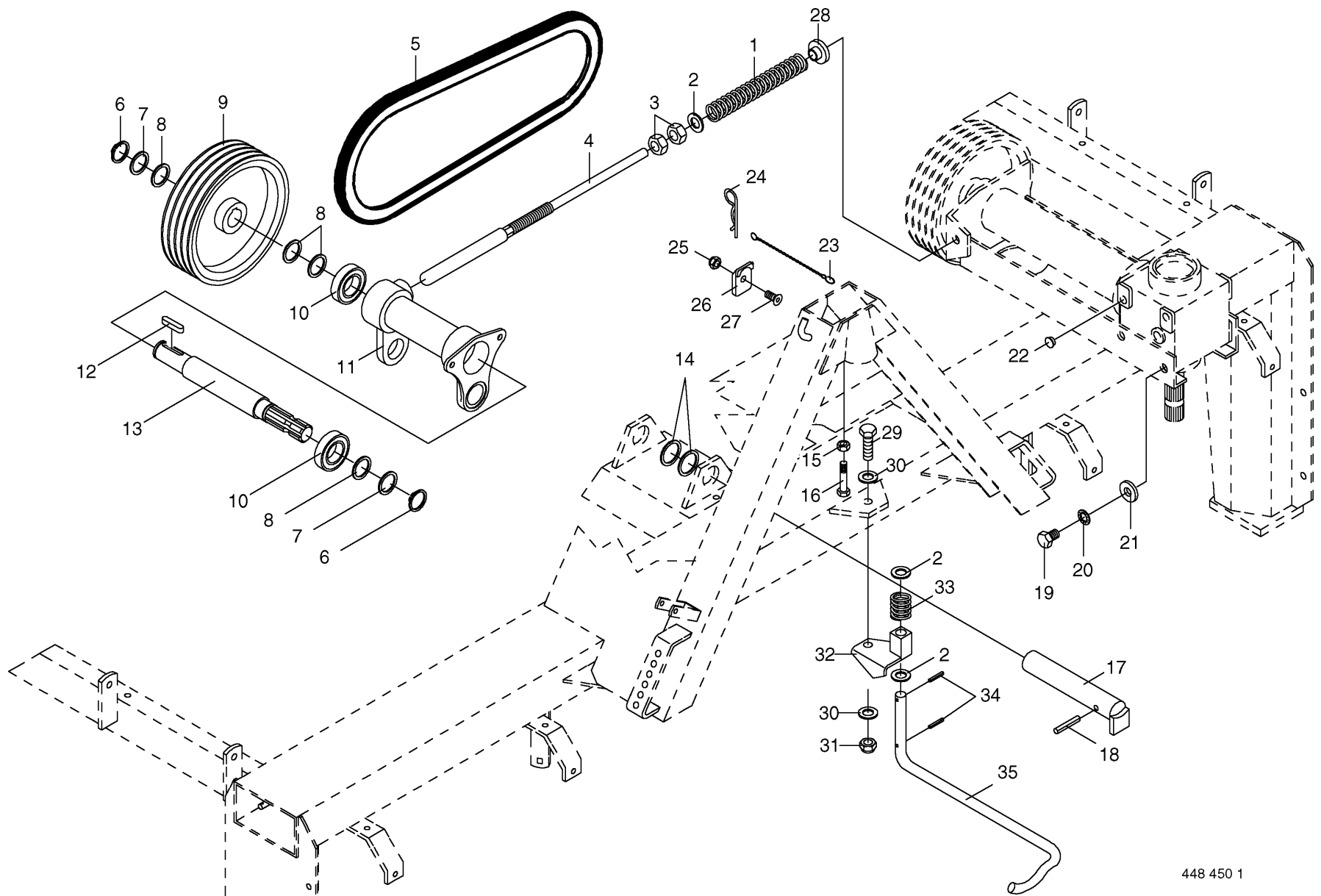


448 450 1

V-Belt Pulley Bearing

V-Belt Pulley Bearing

Item	Part Number	Description	Serial # Ranges	AFA-243RS	AFA-283RS	AFA-323RS	Notes
1	146.620.0	Pressure Spring		X	X	X	
2	910.512.2	Washer		X	X	X	B 21
3	908.225.0	Hex Nut		X	X	X	M20
4	140.066.0	Guide Rail		X			576mm Long
	140.067.0	Guide Rail			X		771mm Long
5	140.106.0	Guide Rail				X	550mm Long
	921.593.0	V-Belt Set		1			
	921.526.0	V-Belt Set			1		
	921.512.0	V-Belt Set				1	
6	911.541.0	Circlip		X	X	X	35 X 1.5
7	910.727.0	Washer		X	X	X	S 35 X 45 X 2.5
8	911.132.0	Shim		X	X	X	35 X 45 X .3
	911.133.0	Shim		X	X	X	35 X 45 X .5
9	151.330.1	V-Belt Pulley		X			DW 183
	151.329.2	V-Belt Pulley			X	X	DW 251
10	930.537.0	Bearing		X	X	X	6207 2RS
11	144.524.4	V-Belt Pulley Bearing		X	X	X	
12	915.126.0	Flat Key		X	X	X	A 10 X 8 X 50
13	144.537.0	Shaft		X	X	X	Rd. 42 X 377
14	910.730.0	Washer		X	X	X	S 40 X 50 X 2.5
15	908.215.0	Hex Nut		X	X	X	M12
16	900.304.1	Hex Head Bolt		X	X	X	M12 X 60
17	140.068.0	Pin		X	X	X	
18	912.717.0	Roll Pin		X	X	X	10 X 55
19	900.673.0	Hex Head Bolt		X	X	X	M16 X 25
20	909.912.0	Detent Edged Washer		X	X	X	SKM 16
21	910.362.0	Washer		X	X	X	17 X 40 X 6
22	925.010.0	Plastic Guard		X	X	X	
23	922.615.0	Chain		X	X	X	
24	917.105.0	Spring Clip		X	X	X	5
25	908.701.0	Hex Nut		X	X	X	M12
26	151.562.0	Stop		X	X	X	
27	904.006.0	Countersunk Screw		X	X	X	M12 X 30
28	140.073.0	Spacer Bushing		X	X	X	Rd. 45 X 20
29	901.482.0	Hex Head Bolt		X	X	X	M16 X 60
30	910.303.0	Washer		X	X	X	17 X 30 X 3
31	908.716.1	Hex Nut		X	X	X	NM 16
32	151.911.0	PTO Shaft Holder		X	X	X	

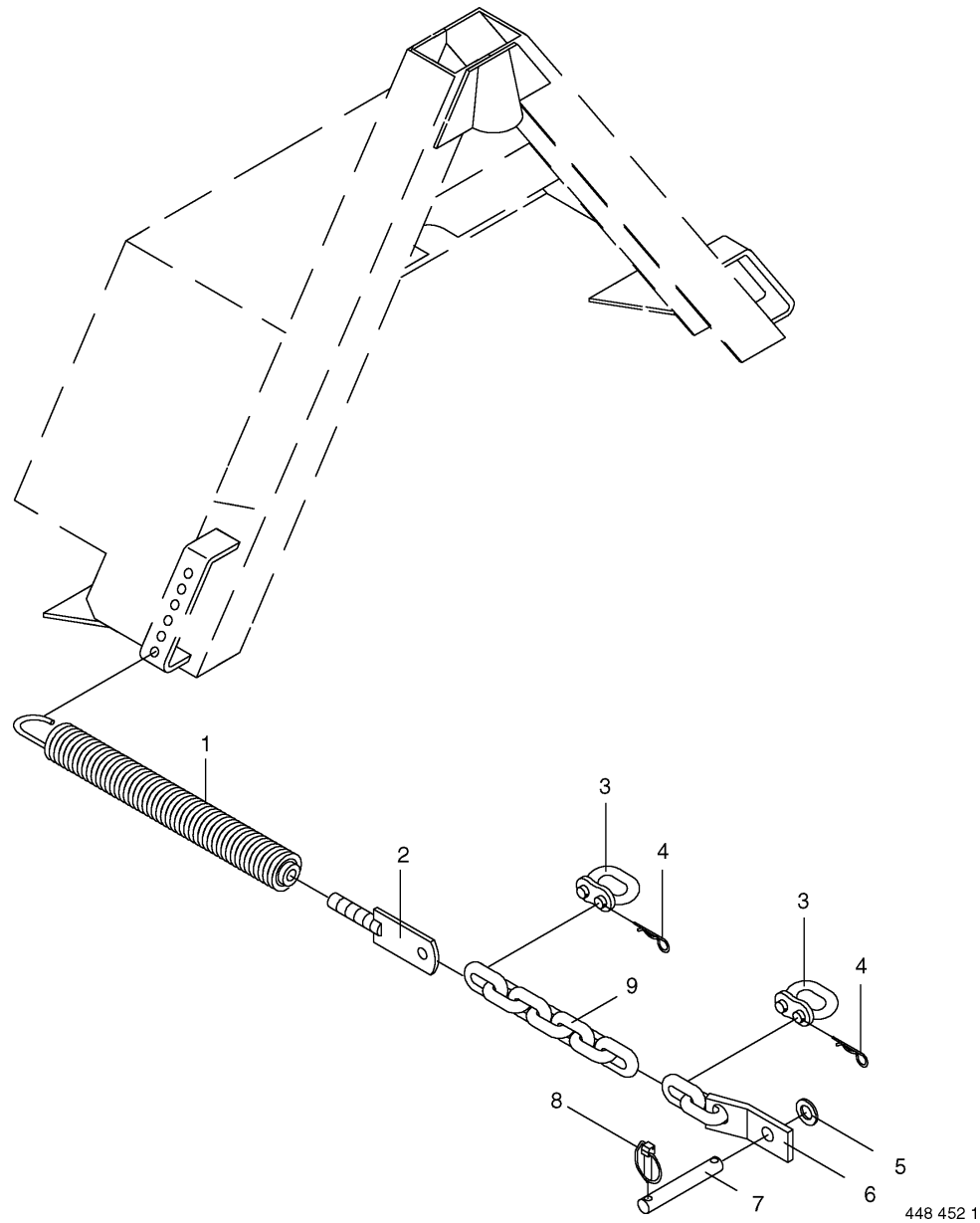


448 450 1

V-Belt Pulley Bearing

V-Belt Pulley Bearing

Item	Part Number	Description	Serial # Ranges	AFA-	AFA-	AFA-	Notes
				243RS	283RS	323RS	
33	490.607.0	Pressure Spring		X	X	X	6 X 36
34	912.643.0	Roll Pin		X	X	X	
35	151.914.0	PTO Shaft Holder		X	X	X	

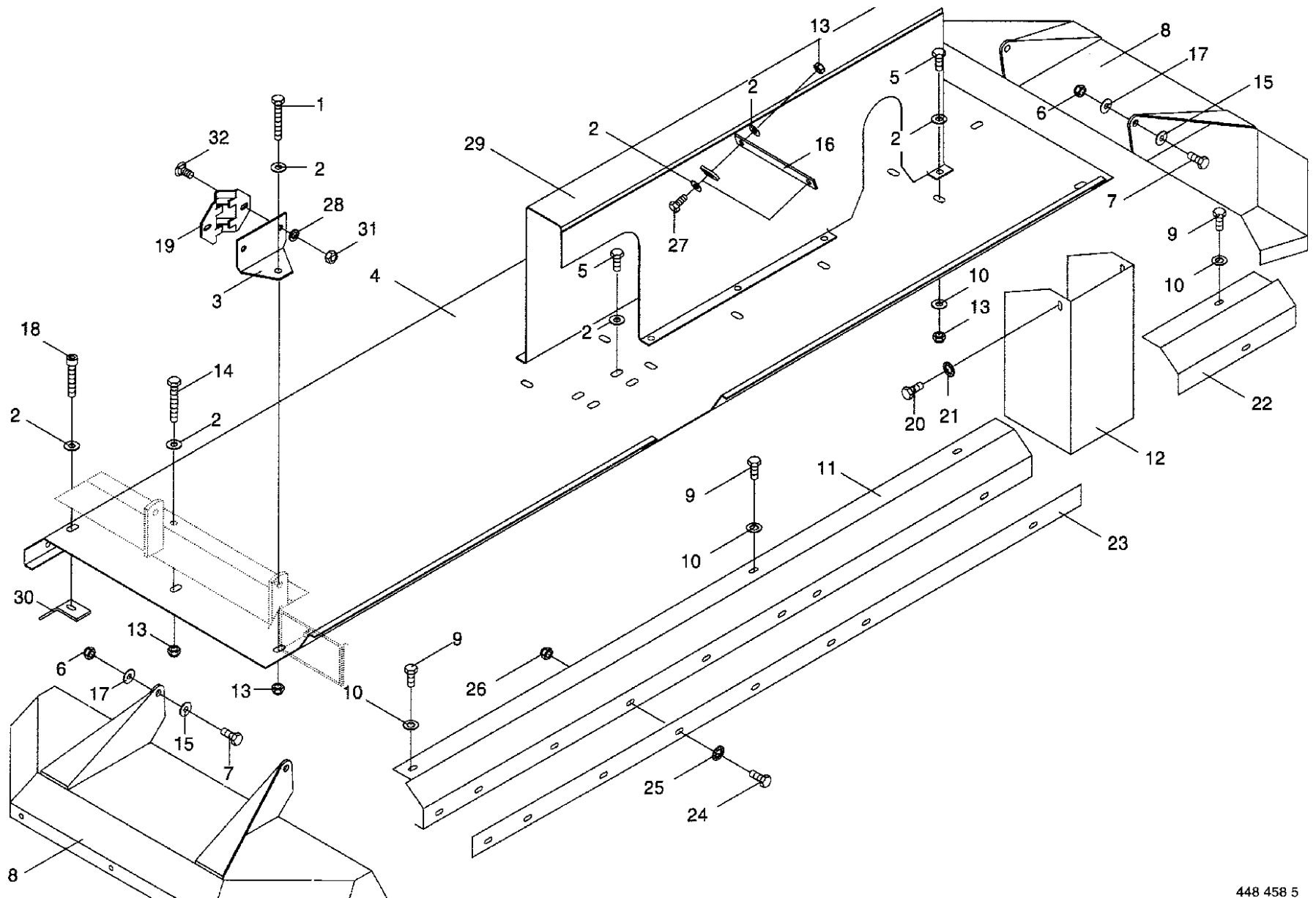


Flotation Springs

448 452 1

Flotation Springs

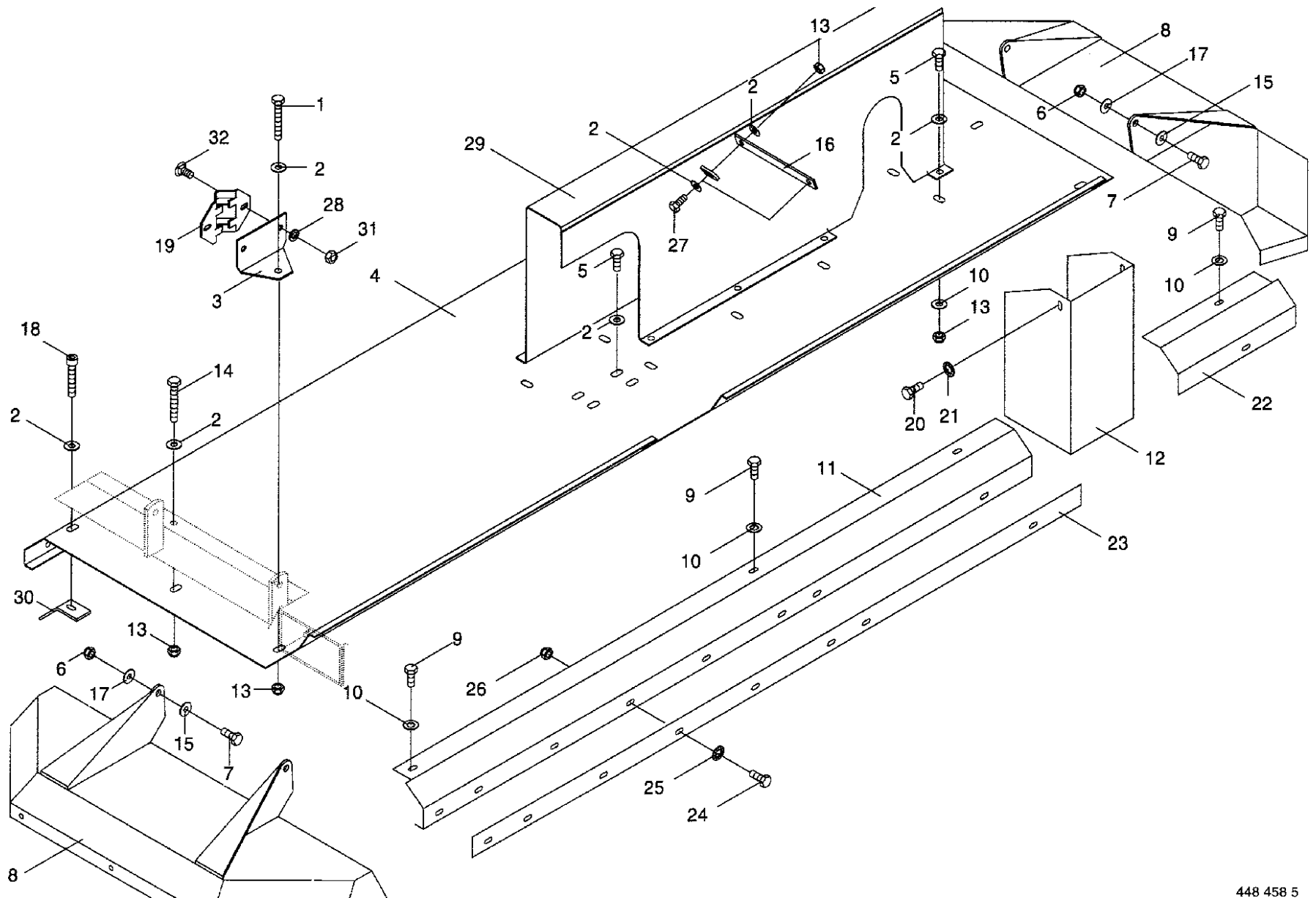
Item	Part Number	Description	Serial # Ranges	AFA-	AFA-	AFA-	Notes
				243RS	283RS	323RS	
1	151.403.1	Tension Spring		2	2		Rd. 10
	151.948.0	Tension Spring				2	Rd. 13
2	139.515.0	Adjuster		2	2	2	
3	922.610.0	Chain Lock		4	4	4	10 X 31
4	917.100.0	Spring Clip		4	4	4	2.5
5	910.514.1	Washer		X	X	X	26 X 44 X 4
6	151.324.4	Chain with Flat Bar		2	2	2	
7	153.089.0	Pin		X	X	X	Rd. 25 X 153
8	917.009.0	Lynch Pin		X	X	X	8 X 42
9	922.624.1	Chain		2	2	2	



Guards

Guards

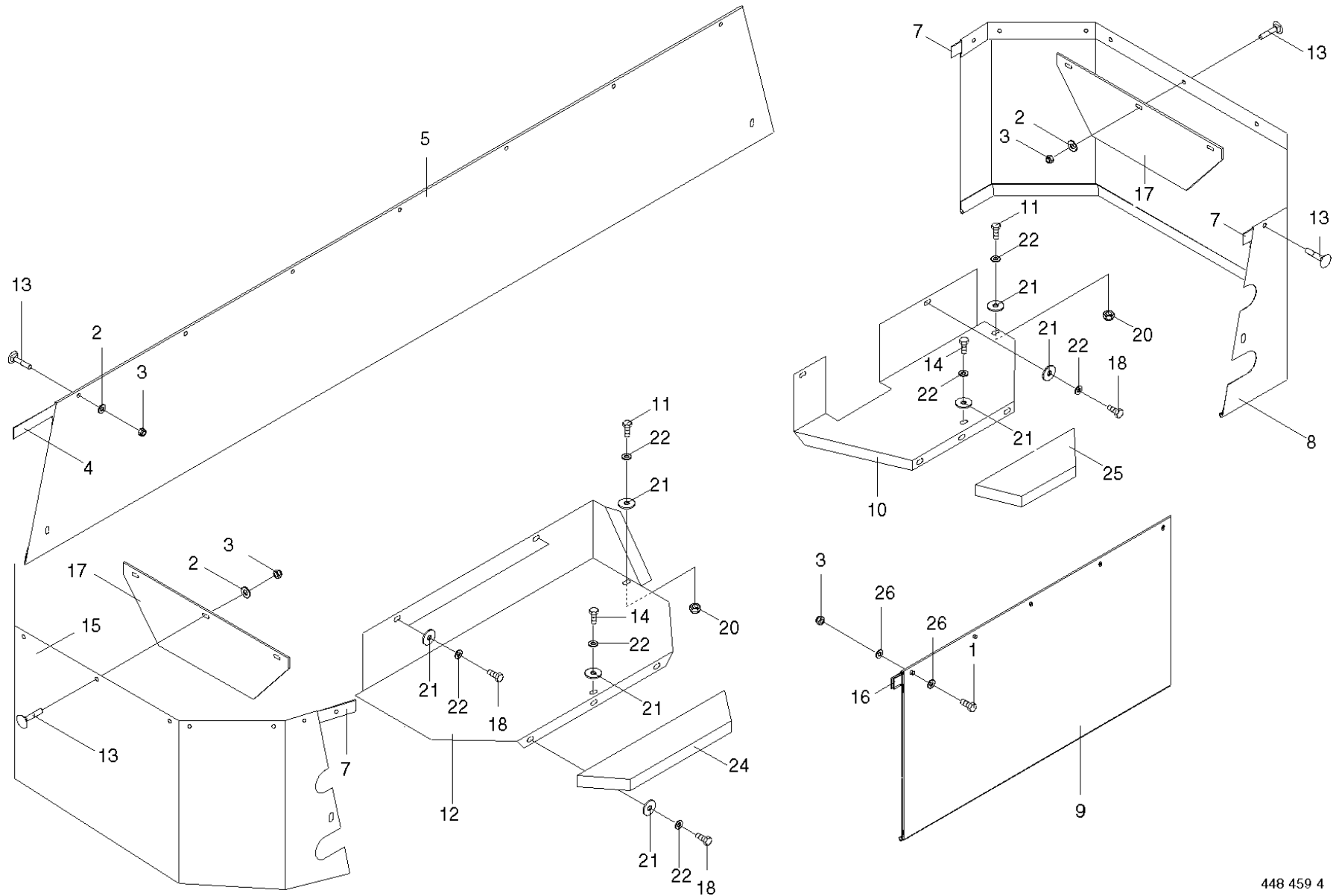
Item	Part Number	Description	Serial # Ranges	AFA- 243RS	AFA- 283RS	AFA- 323RS	Notes
1	901.073.0	Hex Head Bolt		X	X	X	M10 X 110
2	910.414.0	Washer		X	X	X	A 10.5
3	139.861.0	Support		X	X	X	
4	140.046.0	Front Guard		X			
	140.047.0	Front Guard			X		
	140.107.0	Front Guard				X	
5	900.636.0	Hex Head Bolt		X	X	X	M10 X 25
6	908.701.0	Hex Nut		X	X	X	M12
7	900.656.0	Hex Head Bolt		X	X	X	M12 X 30
8	151.765.1	Guard Right		X	X	X	
9	900.632.0	Hex Head Bolt		X	X	X	M10 X 16
10	910.353.0	Washer		X	X	X	R 11
11	140.028.0	Angle Guard		X			
	140.127.0	Angle Guard			X		
	140.129.0	Angle Guard				X	
12	140.054.0	Guard		X			
	140.082.0	Guard			X		
	140.112.0	Guard				X	
13	908.758.0	Hex Nut		X	X	X	M10
14	901.072.1	Hex Head Bolt		X	X	X	M10 X 100
15	910.803.0	Shim		X	X	X	12 X 18 X 1.0
16	140.072.0	Strap		X	X	X	
17	910.506.0	Washer		X	X	X	13 X 24 X 2.5
18	903.116.1	Allen Screw		X	X	X	M10 X 70
19	146.605.0	Lighting Bracket		X	X	X	
20	900.672.0	Hex Head Bolt		X	X	X	M16 X 20
21	909.912.0	Detent Edged Washer		X	X	X	SKM 16
22	140.030.0	Angle Guard		X	X		
	140.108.0	Angle Guard				X	
23	140.056.0	Clamping Strap Rear		X			
24	900.614.0	Hex Head Bolt		X	X	X	M8 X 20
25	910.603.0	Washer		X	X	X	A 8.4
26	908.706.0	Hex Nut		X	X	X	M8
27	900.636.0	Hex Head Bolt		X	X	X	M10 X 25
28	909.908.0	Detent Edged Washer		X	X	X	SKM 8
29	140.048.0	V-Belt Guard		X			
	140.049.0	V-Belt Guard			X		
	140.119.0	V-Belt Guard				X	



Guards

Guards

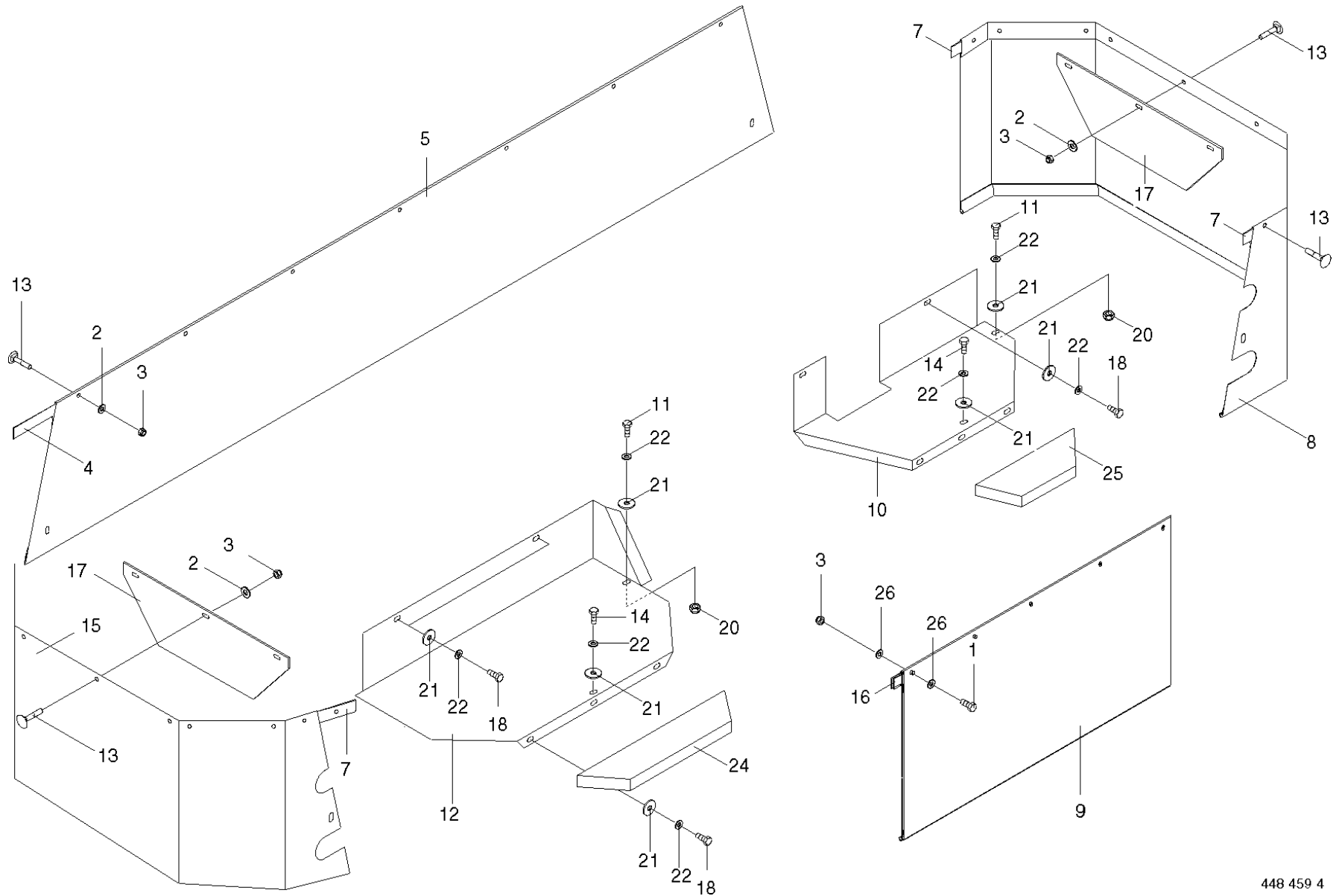
Item	Part Number	Description	Serial # Ranges	AFA- 243RS	AFA- 283RS	AFA- 323RS	Notes
30	140.121.0	Angle			2	2	
31	908.210.0	Hex Nut		X	X	X	M8
32	904.730.0	Flat Round Bolt		X	X	X	M8 X 16



Skirts

Skirts

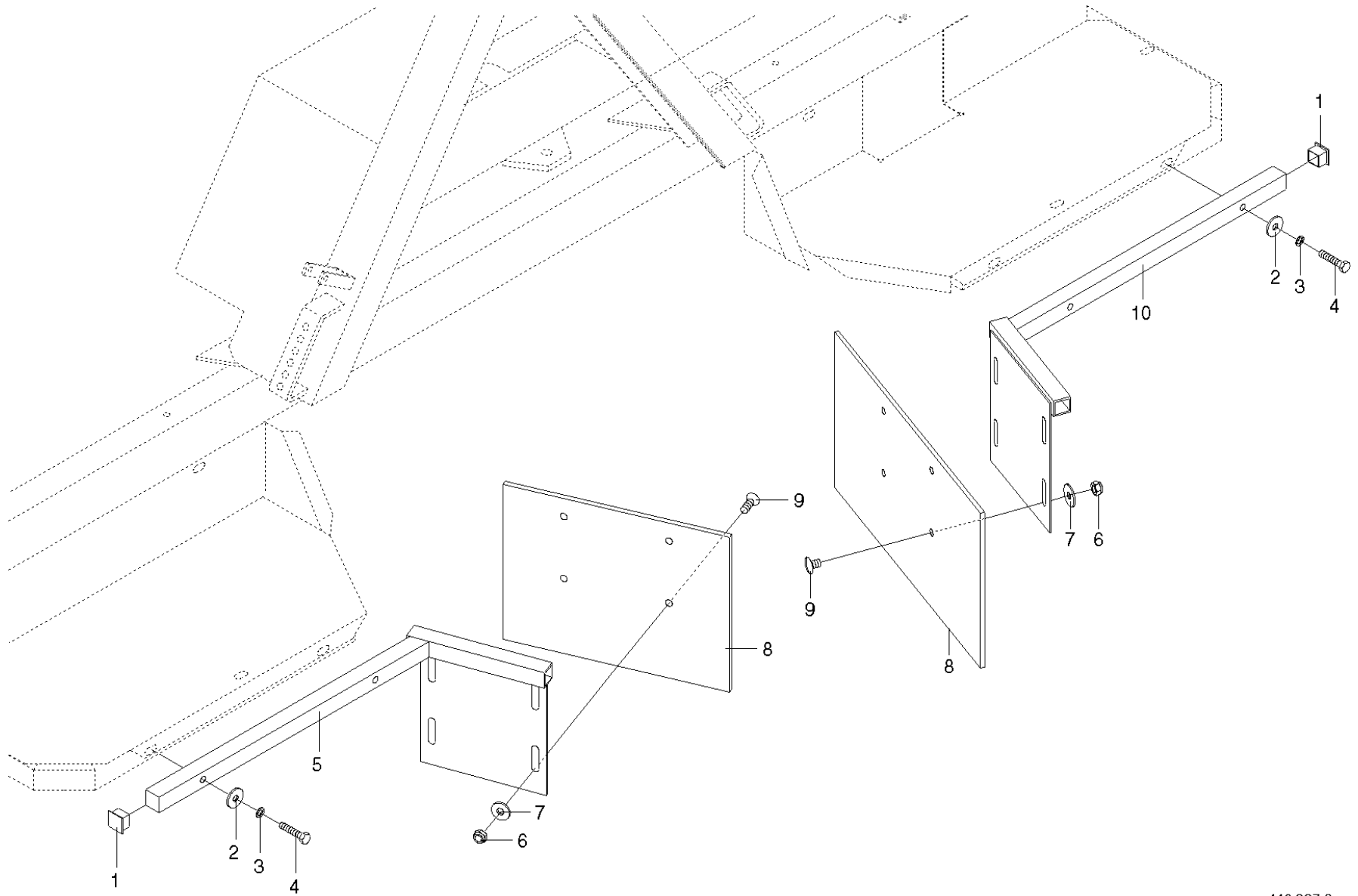
Item	Part Number	Description	Serial # Ranges	AFA-243RS	AFA-283RS	AFA-323RS	Notes
1	900.614.0	Hex Head Bolt		X	X	X	M8 X 20
2	910.603.0	Washer		X	X	X	A 8.4
3	908.706.0	Hex Nut		X	X	X	M8
4	151.886.1	Clamping Strap Front		X			
	151.917.0	Clamping Strap Front			X		
	151.938.0	Clamping Strap Front				X	
5	151.785.0	Front Skirt		X			
	151.789.0	Front Skirt			X		
	151.830.0	Front Skirt				X	
7	151.890.0	Clamping Strap		4	4	4	
8	151.788.1	Side Skirt		X	X	X	
9	140.055.0	Rear Skirt		X			
	140.124.0	Rear Skirt			X		
	140.149.0	Rear Skirt				X	
10	140.033.0	Rear Guard		X			
	140.084.0	Rear Guard			X		
	140.113.0	Rear Guard				X	
11	901.434.0	Hex Head Bolt		X	X	X	M10 X 55
12	140.032.0	Rear Guard L/H		X			
	140.083.0	Rear Guard L/H			X		
	140.114.0	Rear Guard L/H				X	
13	904.731.1	Flat Round Bolt		X	X	X	M8 X 20
14	900.634.0	Hex Head Bolt		X	X	X	M10 X 20
15	151.791.1	Side Skirt		X	X	X	
16	140.056.0	Clamping Strap Rear		X			
	151.494.0	Clamping Strap Rear			X		
	151.446.0	Clamping Strap Rear				X	
17	151.434.0	Deflector		2	2	2	
18	900.632.0	Hex Head Bolt		X	X	X	M10 X 16
19	910.414.0	Washer		X	X	X	A 10.5
20	908.758.0	Hex Nut		X	X	X	M10
21	910.353.0	Washer		X	X	X	R 11
22	909.909.0	Detent Edged Washer		X	X	X	SKM 10
24	140.031.0	Rear Guard L/H		X			
	140.085.0	Rear Guard L/H			X		
	140.115.0	Rear Guard L/H				X	
25	140.034.0	Rear Guard		X			
	140.086.0	Rear Guard			X		



Skirts

Skirts

Item	Part Number	Description	Serial # Ranges	AFA- 243RS	AFA- 283RS	AFA- 323RS	Notes
26	140.116.0 910.603.0	Rear Guard Washer		X	X	X X	A 8.4

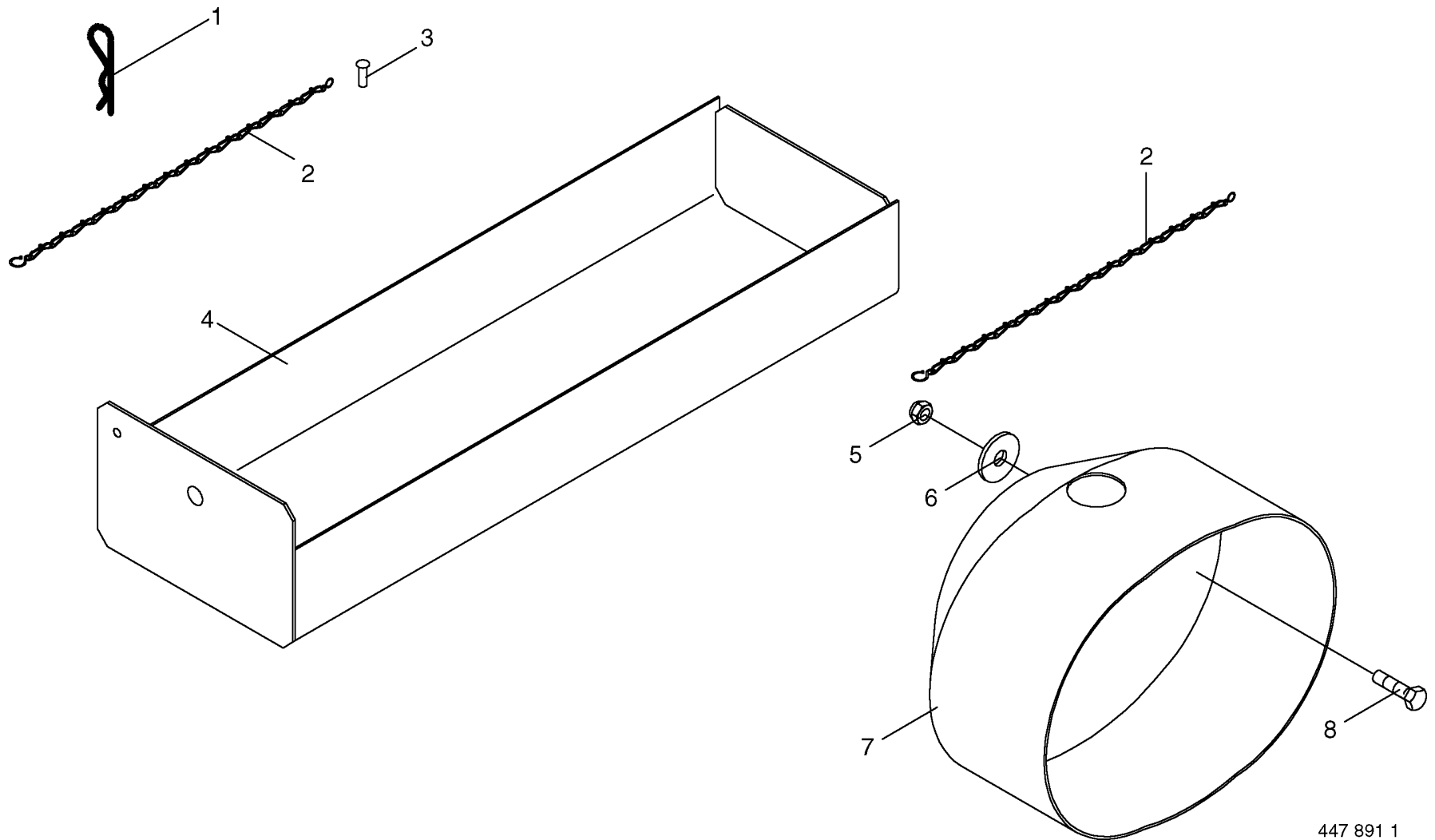


449 237 0

Swath Deflectors - AFA-283

Swath Deflectors - AFA-283

Item	Part Number	Description	Serial # Ranges	AFA-243RS	AFA-283RS	AFA-323RS	Notes
1	924.901.0	Stopper			X		
2	910.353.0	Washer			X		R 11
3	909.909.0	Detent Edged Washer			X		SKM 10
4	901.433.0	Hex Head Bolt			X		M10 X 50
5	140.202.0	Swathing Deflector L/H			X		
6	908.758.0	Hex Nut			X		M10
7	910.353.0	Washer			X		R 11
8	140.207.0	Rubber Plate			X		
9	905.251.0	Flat Round Bolt			X		M10 X 20
10	140.203.0	Swathing Deflector R/H			X		

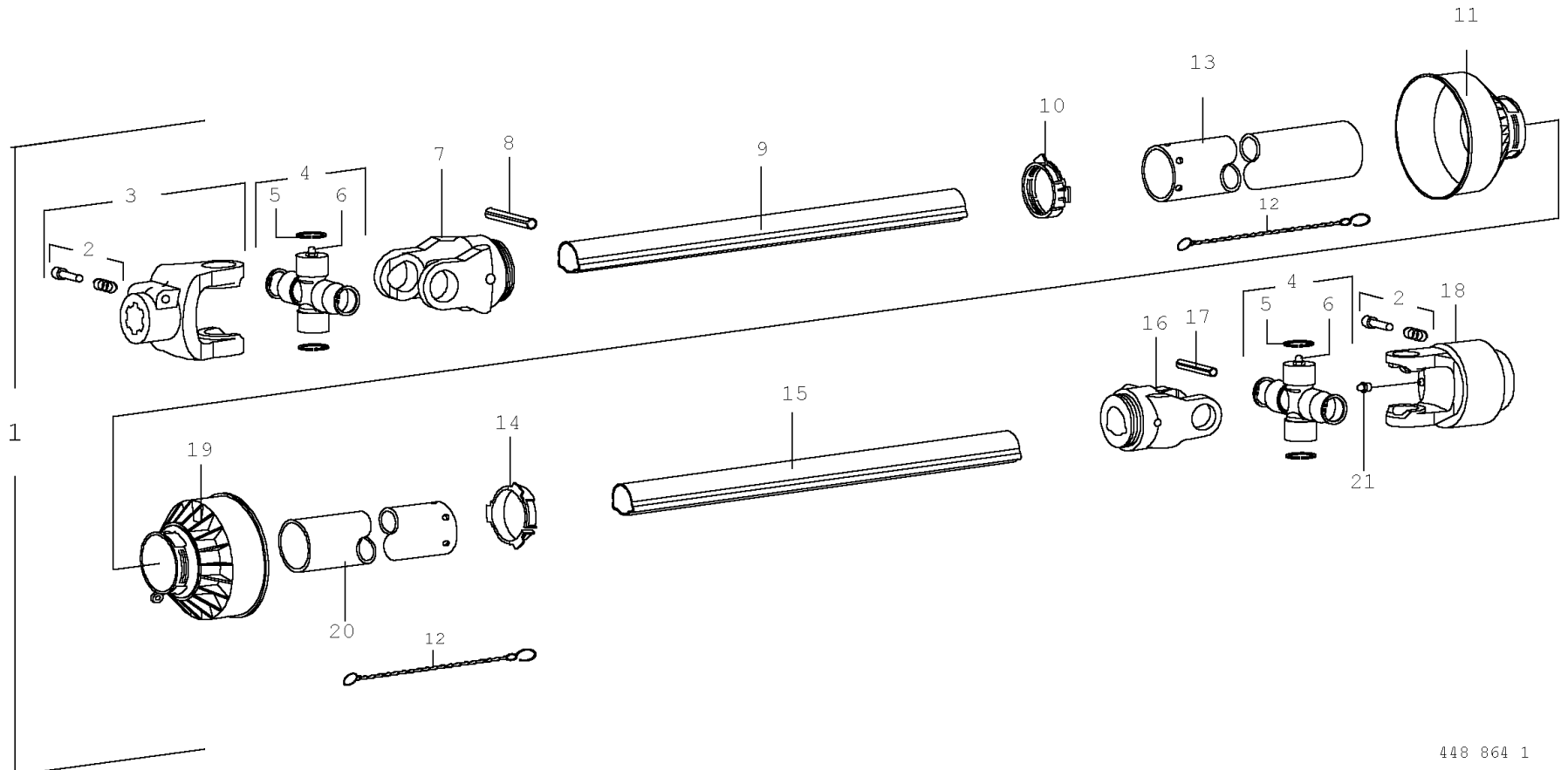


447 891 1

PTO Protective Cup / Toolbox

PTO Protective Cup / Toolbox

Item	Part Number	Description	Serial # Ranges	AFA-243RS	AFA-283RS	AFA-323RS	Notes
1	917.104.0	Spring Clip		X	X	X	4
2	922.650.0	Chain		X	X	X	
3	914.138.0	Rivet		X	X	X	4.8 X 14.5
4	151.891.0	Toolbox		X	X	X	
5	908.758.0	Hex Nut		X	X	X	M10
6	910.353.0	Washer		X	X	X	R 11
7	270.193.2	Protecting Cup		X	X	X	
8	900.636.0	Hex Head Bolt		X	X	X	M10 X 25

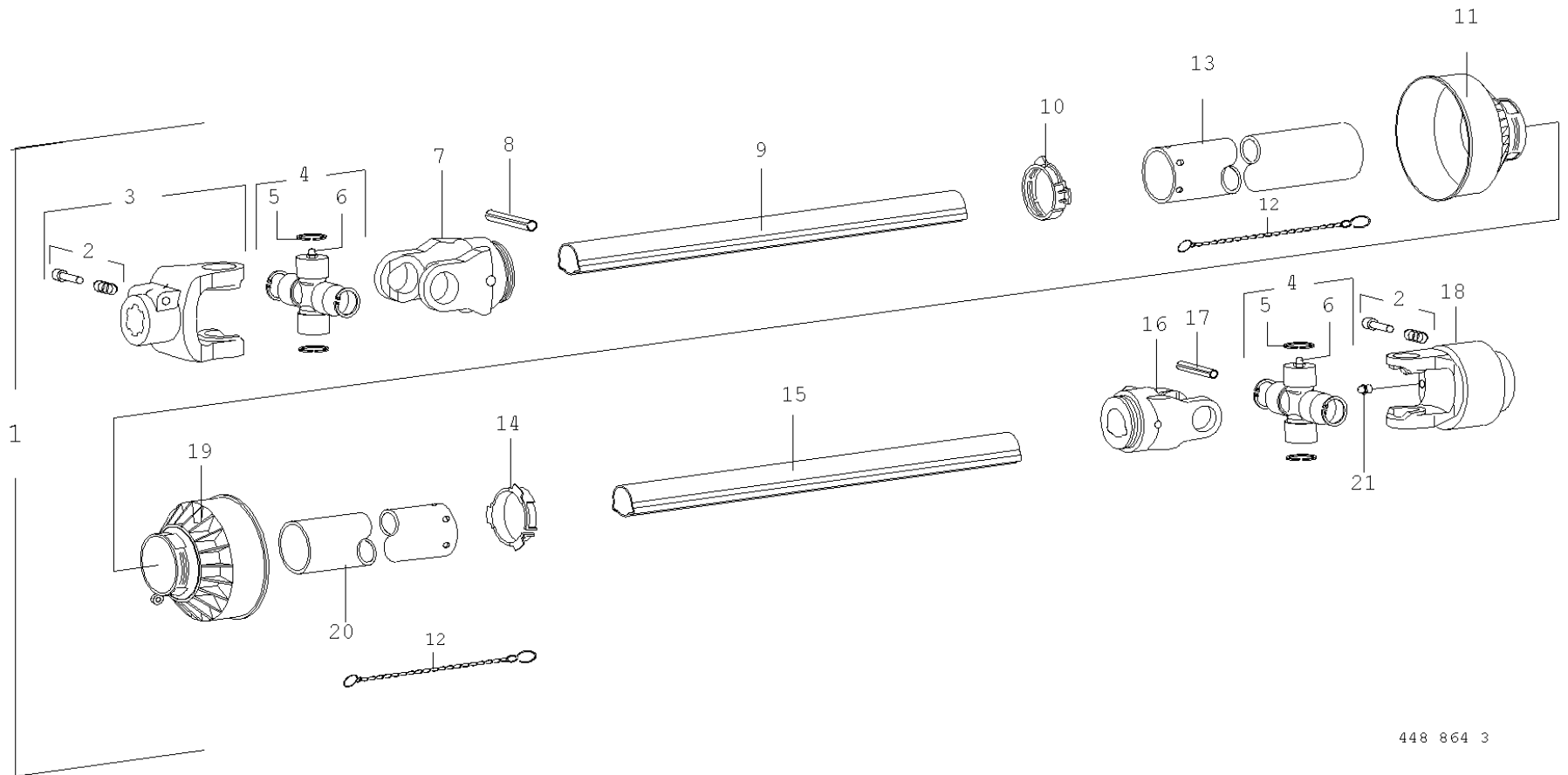


448 864 1

PTO Shaft - CW Rotation

PTO Shaft - CW Rotation

Item	Part Number	Description	Serial # Ranges	AFA-243RS	AFA-283RS	AFA-323RS	Notes
1	949.100.2	PTO Shaft		X	X	X	
2	956.111.0	Locking Pin with Spring		X	X	X	
3	956.100.0	Outer Yoke		X	X	X	1 3/8" - 6 Spline
4	956.101.0	Cross Assembly		X	X	X	
5	911.603.0	Circlip		X	X	X	I 30 X 1.5
6	919.106.0	Grease Fitting		X	X	X	BM 8 X 1
7	956.102.0	Yoke for Female Tube		X	X	X	
8	912.720.0	Roll Pin		X	X	X	10 X 70
9	956.103.1	Outer Tube		X	X	X	
10	956.112.0	Ring for Female Tube		X	X	X	
11	956.287.0	PTO Guard		X	X	X	
12	949.852.0	Chain		X	X	X	400mm Long
13	956.288.0	Guard Tube		X	X	X	
14	956.108.0	Bearing Ring for Male Tube		X	X	X	
15	956.104.1	Inner Tube		X	X	X	
16	956.105.0	Inner Yoke for Male Tube		X	X	X	
17	912.718.0	Roll Pin		X	X	X	10 X 60
18	956.164.0	Over-running Clutch		X	X	X	
19	956.290.0	PTO Guard		X	X	X	
20	956.289.0	Guard Tube		X	X	X	
21	919.105.0	Grease Fitting		X	X	X	AM 8 X 1

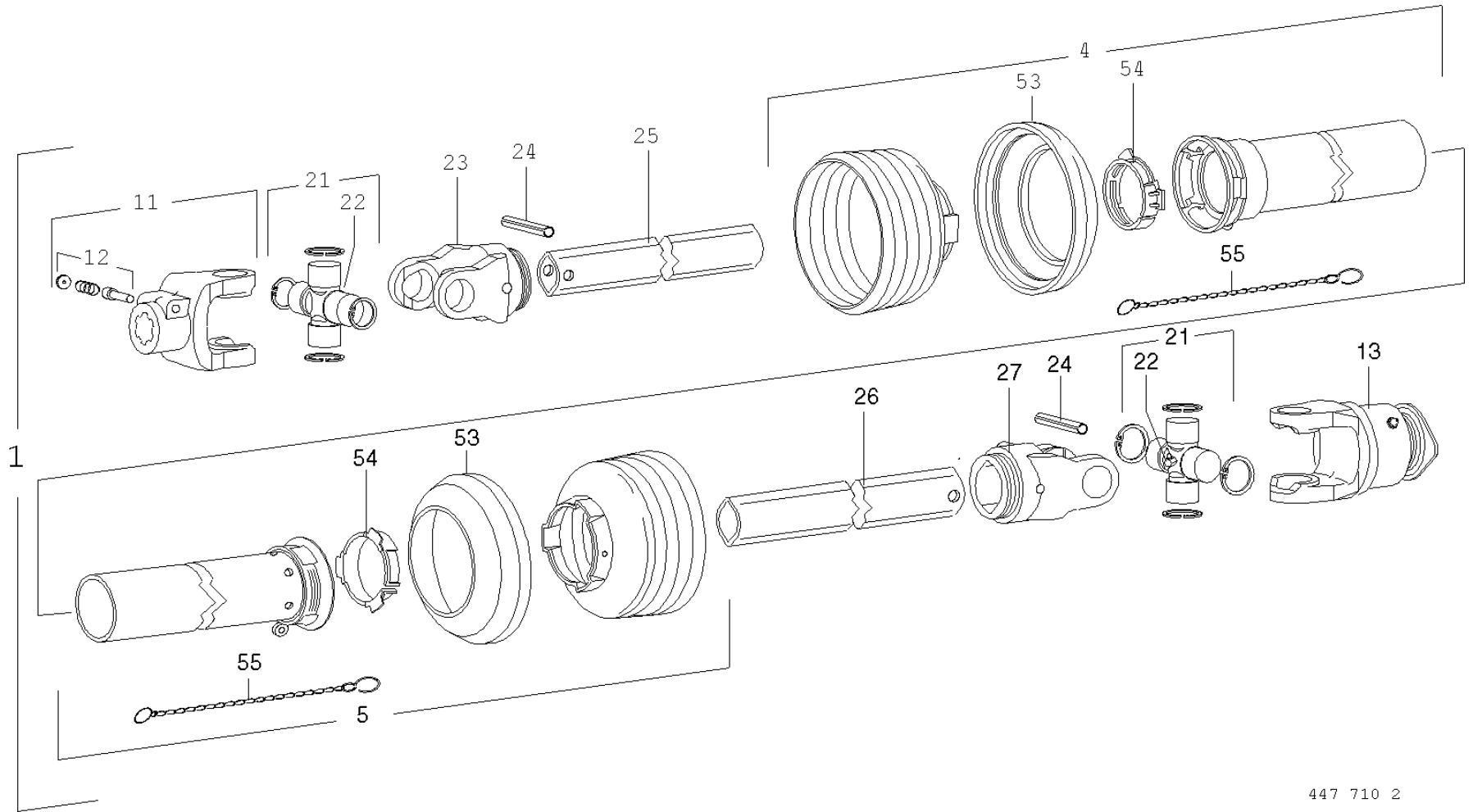


448 864 3

PTO Shaft - CCW Rotation

PTO Shaft - CCW Rotation

Item	Part Number	Description	Serial # Ranges	AFA- 243RS	AFA- 283RS	AFA- 323RS	Notes
1	956.072.0	PTO Shaft		X	X	X	
2	956.111.0	Locking Pin with Spring		X	X	X	
3	956.323.0	Outer Yoke		X	X	X	1 3/8" - 6 Spline
4	956.215.0	Cross Assembly		X	X	X	
5	911.603.0	Circlip		X	X	X	I 30 X 1.5
6	919.106.0	Grease Fitting		X	X	X	
7	956.321.0	Yoke for Female Tube		X	X	X	
8	912.721.0	Roll Pin		X	X	X	10 X 75
9	956.329.0	Outer Tube		X	X	X	
10	956.327.0	Ring for Female Tube		X	X	X	
11	956.325.0	PTO Guard		X	X	X	179mm Long
12	949.852.0	Chain		X	X	X	400mm Long
13	956.288.0	Guard Tube		X	X	X	
14	956.328.0	Bearing Ring for Male Tube		X	X	X	
15	956.330.0	Inner Tube		X	X	X	
16	956.319.0	Inner Yoke for Male Tube		X	X	X	
17	912.719.0	Roll Pin		X	X	X	10 X 65
18	956.324.0	Over-running Clutch		X	X	X	1 3/8" - 6 Spline
19	956.326.0	PTO Guard		X	X	X	179mm Long
20	956.289.0	Guard Tube		X	X	X	
21	956.280.0	Grease Fitting		X	X	X	

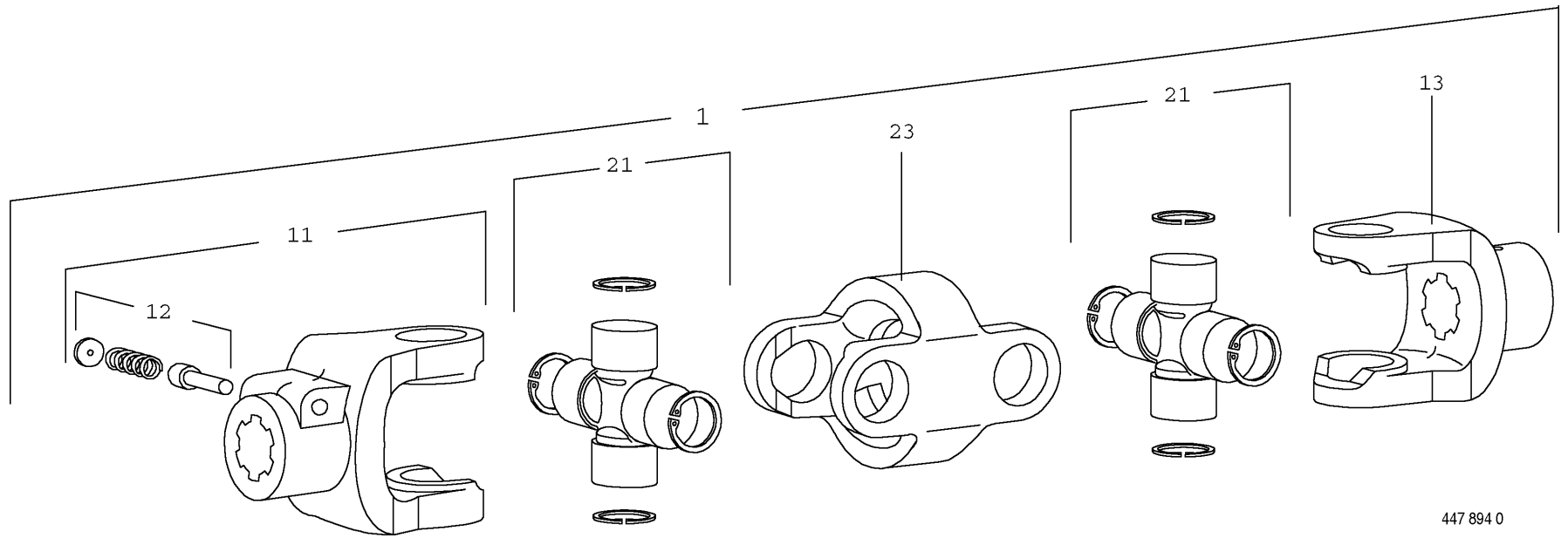


447 710 2

PTO Shaft - CCW Rotation

PTO Shaft - CCW Rotation

Item	Part Number	Description	Serial # Ranges	AFA- 243RS	AFA- 283RS	AFA- 323RS	Notes
1	949.100.2	PTO Shaft		X	X	X	W2300-SD25-860-F5/1L
4	949.356.0	Outer Guard Tube		X	X	X	
5	949.273.1	Inner Guard Tube		X	X	X	
11	949.463.0	Outer Yoke		X	X	X	1 3/8" - 6 Spline
12	949.630.0	Locking Pin Complete		X	X	X	
21	949.462.0	Cross Assembly		X	X	X	
22	949.629.0	Grease Fitting		X	X	X	M8 X 1
23	949.430.0	Grooved Yoke		X	X	X	
24	912.720.0	Roll Pin		X	X	X	10 X 70
25	949.358.0	Inner Tube		X	X	X	750mm Long
26	949.354.0	Outer Tube		X	X	X	725mm Long
27	949.436.0	Grooved Yoke		X	X	X	
53	949.352.0	Ring		X	X	X	
54	949.861.0	Bearing Ring		X	X	X	
55	949.852.0	Chain		X	X	X	

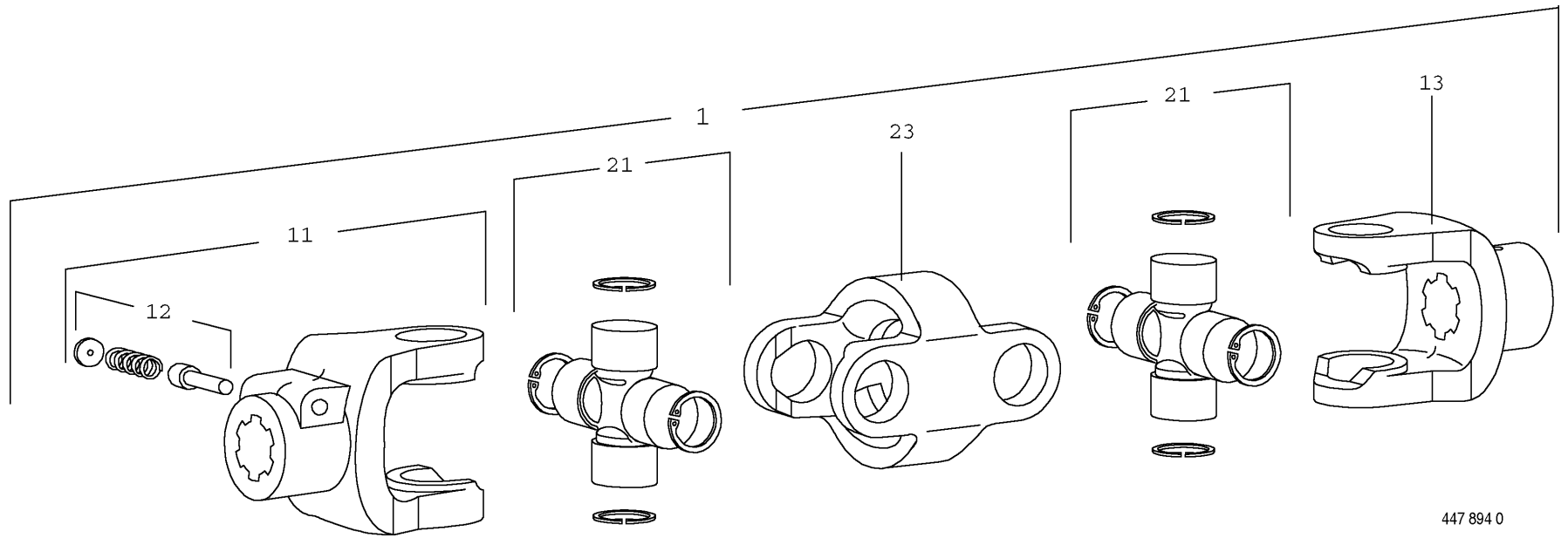


447 894 0

Double Universal Joint - Bondioli

Double Universal Joint - Bondioli

Item	Part Number	Description	Serial # Ranges	AFA-243RS	AFA-283RS	AFA-323RS	Notes
1	949.388.1	Double Universal Joint		X	X	X	
11	956.262.0	Outer Yoke		X	X	X	1 3/8" - 21 Spline
12	956.111.0	Locking Pin with Spring		X	X	X	
13	956.260.0	Outer Yoke		X	X	X	1 3/8" - 6 Spline
21	956.426.0	Cross Assembly		X	X	X	
23	956.261.0	Double Yoke		X	X	X	



447 894 0

Double Universal Joint - Walterscheid

Double Universal Joint - Walterscheid

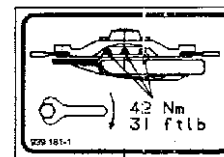
Item	Part Number	Description	Serial # Ranges	AFA- 243RS	AFA- 283RS	AFA- 323RS	Notes
1	949.388.1	Double Universal Joint		X	X	X	
11	949.677.0	Outer Yoke		X	X	X	1 3/8" - 21 Spline
12	949.630.0	Locking Pin Complete		X	X	X	
13	949.678.0	Outer Yoke		X	X	X	1 3/8" - 6 Spline
21	949.723.0	Cross Assembly		X	X	X	
23	949.395.0	Double Yoke		X	X	X	



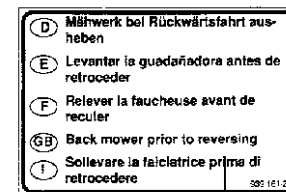
1



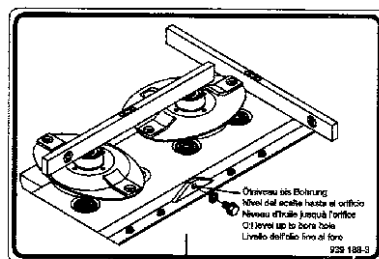
2



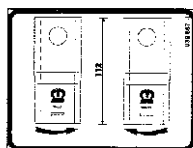
3



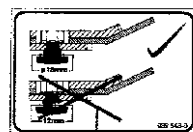
4



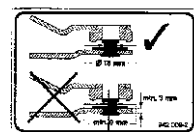
5



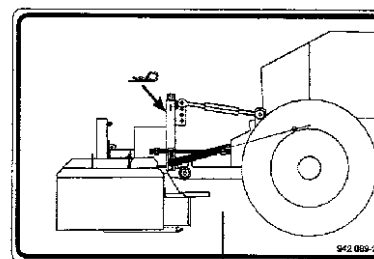
6



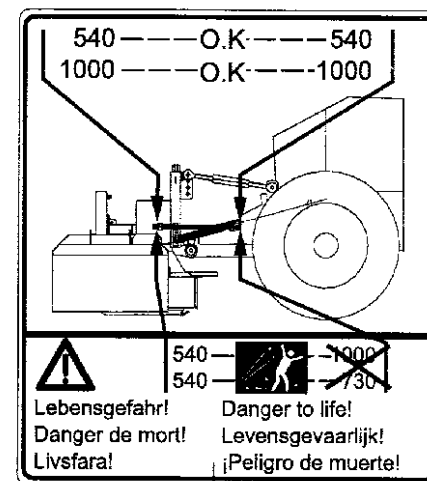
7



8



9



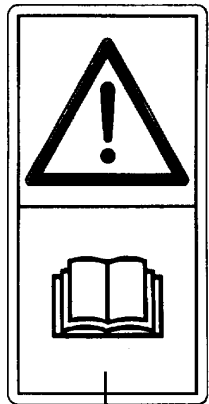
10

448 914 1

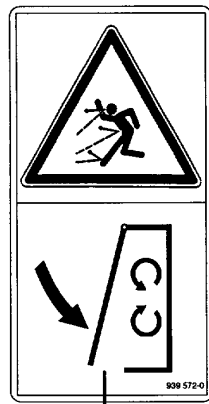
General Information Decals

General Information Decals

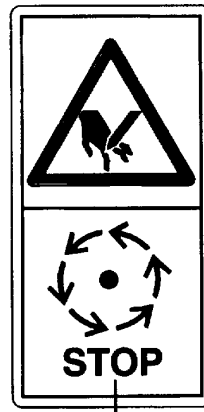
Item	Part Number	Description	Serial # Ranges	AFA-	AFA-	AFA-	Notes
				243RS	283RS	323RS	
1	939.593.0	Decal - Green		1			AFA-243 RS
	939.594.0	Decal - Green			1		AFA-283 RS
	942.048.1	Decal - Green				1	AFA-323 RS
	942.324.0	Decal - Beige		1			AFA-243 RS
	942.325.0	Decal - Beige			1		AFA-283 RS
2	942.326.0	Decal - Beige				1	AFA-323 RS
3	942.296.0	Decal		1	1	1	370mm Long - Beige
4	939.181.1	Decal		1	1	1	
5	939.161.2	Decal		1	1	1	
6	939.188.2	Decal		1	1	1	
7	939.567.0	Decal		1	1	1	
8	939.548.0	Decal		1	1	1	
9	942.009.2	Decal		1	1	1	
10	942.089.2	Decal		1	1	1	
	939.106.3	Decal		1	1	1	



1



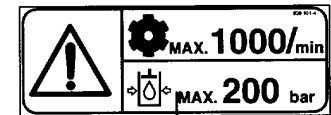
2



3



4



5

Warning Decals

Warning Decals

Item	Part Number	Description	Serial # Ranges	AFA-243RS	AFA-283RS	AFA-323RS	Notes
1	939.471.1	Decal		1	1	1	
2	939.572.0	Decal		2	2	2	
3	939.410.2	Decal		3	3	3	
4	942.197.1	Decal		1	1	1	
5	939.101.4	Decal		2	2	2	