

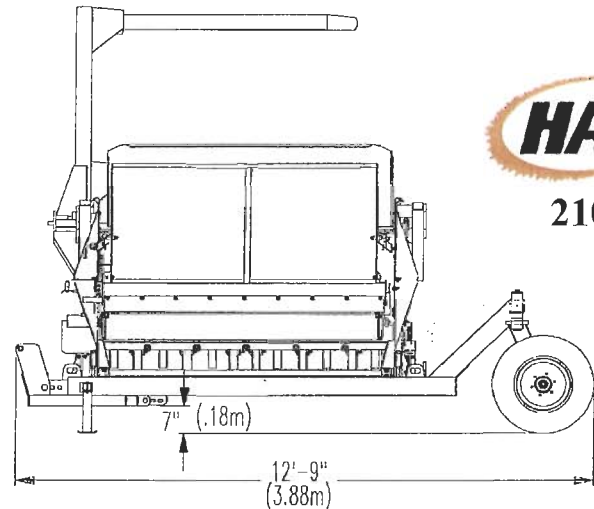
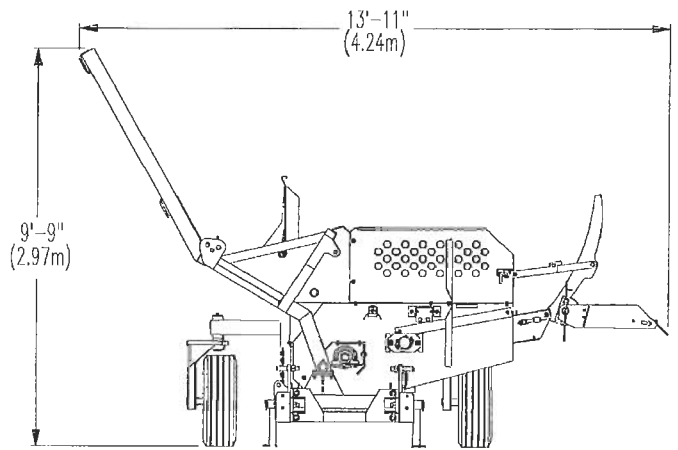
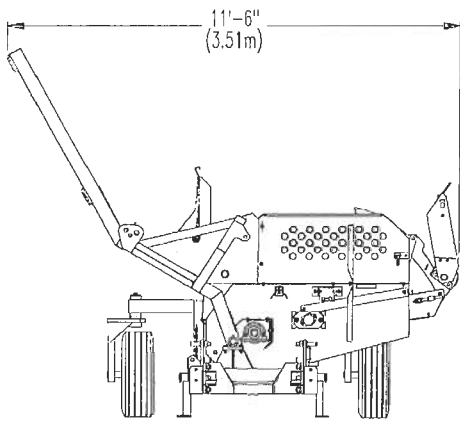


2100 BALEBUSTER

BALE PROCESSOR

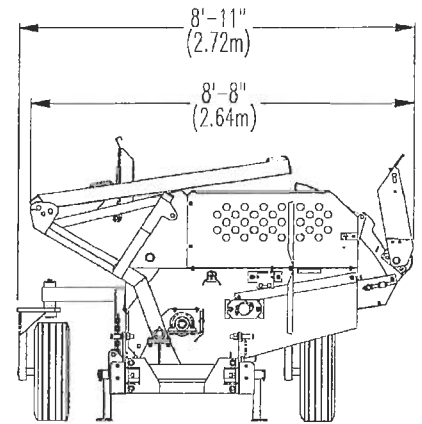


- ✓ Stronger Frame, 5" x 3" steel tube welded into a single piece unit.
- ✓ Heavy duty caster wheels and larger 9.5 x 14 - 8 ply tires combine to float over boggy ground and glide over rough terrain.
- ✓ 15" ground clearance, that's 2" more than previous model.
- ✓ The Side Arm Loader lifting power has been increased by adding an additional hydraulic cylinder plus bale weight is dispersed evenly across throughout the frame.
- ✓ The Shredder Chamber has been enlarge by 15%, this reduces spillage and puts your hay or straw exactly where it needs to be .
- ✓ New heavy duty rotor, flails and reduced flail tip clearance combine to throw straw further and now processes both dry and wet bales.
- ✓ Easy to service pillow block rotor bearings that are stronger and handle shock loads better.
- ✓ Rotor bearing twine guards.
- ✓ New torsion spring assisted easy lift deflector with easy to operate latch.
- ✓ Semi-mounted stability and maneuverability.
- ✓ Shredder chamber with a 3-Chain Slat Conveyor that can process both hard or soft core bales.
- ✓ Best of all the 2100 is still a BALEBUSTER!



HAYBUSTER®

2100 BALEBUSTER



STANDARD EQUIPMENT SPECIFICATIONS

WEIGHT

Total - 3,700 lbs (1,679 kg)

SHIPPING DIMENSIONS

Width - 8 ft 5 in (2.6 m) loader & deflector folded.

Length - 12 ft 9 in (4.01 m)

Length - 8 ft 5 in (2.6 m) caster wheels removed.

Height - 6 ft 5 in (1.96 m) loader folded.

TRANSPORT DIMENSIONS

Width - 10 ft 8 in (3.25 m)

Length - 12 ft 9 in (4.01 m)

Height - 6 ft 5 in (1.96 m) loader folded

WORKING DIMENSIONS

With Bale.

Width - 13 ft (3.96 m)

Length - 12 ft 9 in (4.01 m)

Height - 9 ft 8-³/₄ in (3.05 m)

CHASSIS FEATURES

Hitch - Semi-Mounted, attaches to lower Lift Links of Tractor's 3-PT Hitch

Tires - 2) 9.5 x 14 - 8 Ply

Wheels - 2) 6 x 14 - 5 Bolt Drop Center

Bearings - Tapered Roller

Axle - Caster

BALE LOADER

Type - Hydraulic with mechanical linkage.

Bale Tines - 2, fixed width.

Hydraulic Cylinder - 2) 2-¹/₂ in x 16 in (6.35 cm x 40.64 cm) Double Acting

BALE CONVEYOR

Type - 3 Roller Chains with Bolt-on Cross Slats

Drive - Hydraulic Motor with Hydraulic Flow Control

BALE SHREDDER CHAMBER

Max. Bale Size - 5-¹/₂ ft long x 6-¹/₂ ft dia (1.68 m x 1.98 m)

Max. Bale Weight - 1,500 lbs (682 kg)

Rotor Length - 78 in (1.83 m)

Rotor Diameter (Flails extended) - 25-¹/₂ ft (64.77 cm)

Rotor Bearing - Ball, 1-³/₄ in (4.44 cm)

Number of Flails - 30

Flail Type - Heavy Duty Flails, ⁷/₁₆ in (11.11 mm) Thick, 3 lbs (1.36 kg), Heat Treated Spring Steel, Swinging

Number of Stripper Plates - 1

Number of Slug Bars - 5

Deflector Shield - 6 Adjustment Positions through 120° range

Max. Horizontal Spread - straw up to 50'

OPERATOR CONTROLS

Loader - 1 set of Tractor Hydraulic Outlets

Bale Conveyor - 1 set of Tractor Hydraulic Outlets

Bale Conveyor Speed - Adjustable Hydraulic Flow Control Valve

Slug Bar - Shim adjustable

Deflector Shield Position - Hand Lever with Position Settings

REQUIREMENTS FOR OPERATION

TRACTOR

PTO Horsepower required - 65 to 155

Three Point Hitch - CAT II / III

Min. Hitch Lift Capacity - 4,000 lbs (1,818.18 kg)

PTO Type - 1000 RPM, 1-³/₈ in dia Shaft with 21 Splines

Min. Hydraulic Output - 8 gpm at 1800 psi (46 lpm x 10,345 kpa)

Hydraulic Remote Controls - 2 Double-Acting Control Valves with Quick Coupler Outlets

Tractor Weight - must be of equal or greater weight than that of a 2100 BALEBUSTER and 1 Bale

OPTIONS

Stripper Channel Kit

Quick-Tatch (Category II / III)

Wide Deflector Belt

DuraTech Industries International, Inc. reserves the right to change its products or their specifications at anytime without notice or obligation



LRP-0200-090603

P.O. Box 1940 • Jamestown, ND 58402-1940

Phone: 701-252-4601 • Fax: 701-252-0502

website: www.haybuster.com • email: ag.info@haybuster.com

