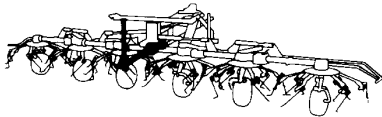
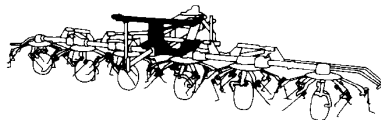
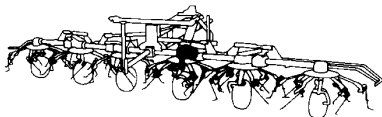


LELY**LOTUS**type nummer
type number
numéro de type
Typnummervanaf serienummer
as from serial number
après numéro de série
ab Seriennummer640 STABILO 4.1027.0000.1
675 STABILO 4.1024.0000.1
725 STABILO 4.1028.0000.1
770 STABILO 4.1025.0000.1973 - 0501
967 - 0937
981 - 0501
967 - 0601**L7****Inhoud
Contents
Index
Inhalt****LOTUS 640 / 675 / 725 / 770 STABILO****pagina
page
page
Seite**Centrale aandrijving
Central drive
Entraînement central
Zentraltrieb

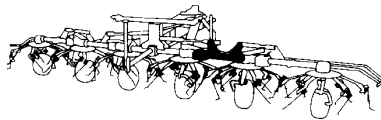
01

Middenframe
Central frame
Châssis central
Zentralrahmen

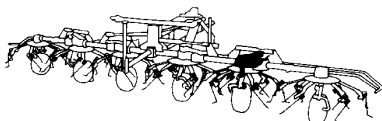
02

Tandwielkast + gaffel
Gearbox + yoke
Boîte d'engrenages + mâchoire
Getriebe + Gabel

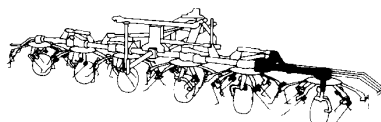
03

Tussenframe
Intermediate frame
Châssis intermédiaire
Zwischenrahmen

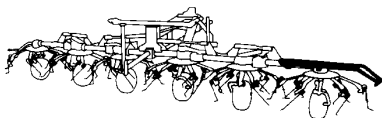
04

Tandwielkast + gaffel
Gearbox + yoke
Boîte d'engrenages + mâchoire
Getriebe + Gabel

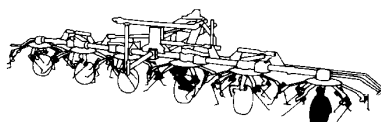
05

Zijfreem + tandwielkast
Side frame + gearbox
Châssis latéral + boîte d'engrenages
Seitenrahmen + Getriebe

06

Beschermbougels
Protection brackets
Arceaux projecteurs
Schutzbügel

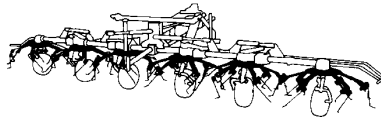
07

Loopwielen
Support wheels
Roues de support
Stützräder

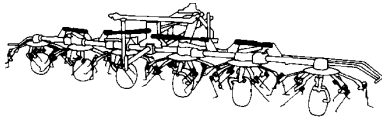
08

LELY**LOTUS**type number
type number
numéro de type
Typnummervanaf serienummer
as from serial number
après numéro de serie
ab Seriennummer640 STABILO
675 STABILO
725 STABILO
770 STABILO4.1027.0000.1
4.1024.0000.1
4.1028.0000.1
4.1025.0000.1973 - 0501
967 - 0937
981 - 0501
967 - 0601**L7****Inhoud
Contents
Index
Inhalt****LOTUS 640 / 675 / 725 / 770 STABILO****pagina
page
page
Seite**Naloopbok
Self steering headstock
Dispositif pivotant
Nachlaufbock

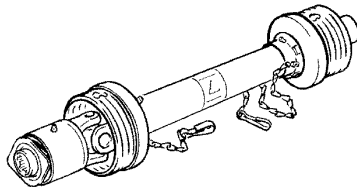
09

Rotoren
Rotors
Rotors
Rotoren

10

Hydraulische cilinder
Hydraulic ram
Vérin hydraulique
Hydraulikzylinder

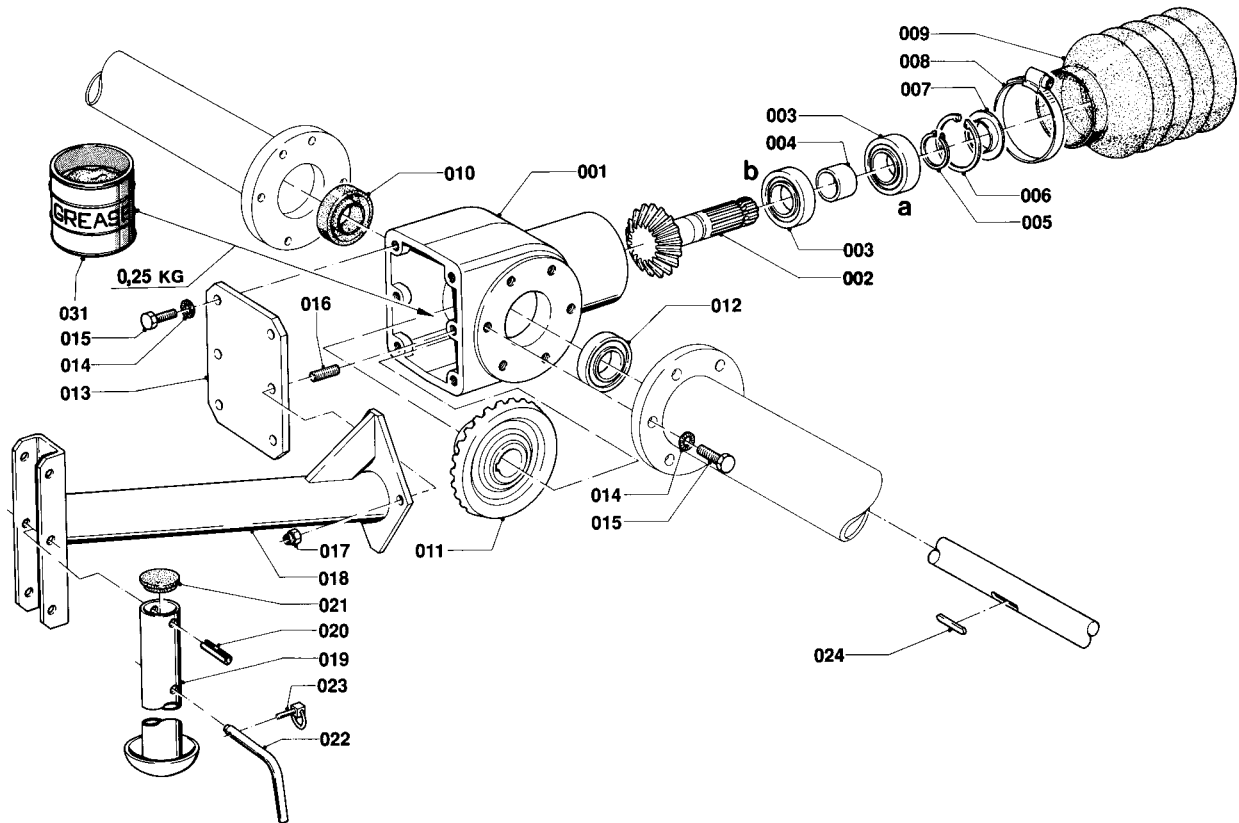
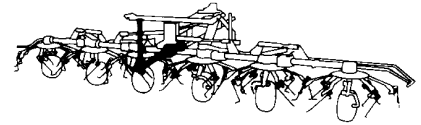
11

Koppelingsas
PTO shaft
Arbre de transmission
Gelenkwelle

12



LOTUS	type number type number numéro de type Typnummer	vanaf serienummer as from serial number après numéro de série ab Seriennummer
640 STABILO	4.1027.0000.1	973 - 0501
675 STABILO	4.1024.0000.1	967 - 0937
725 STABILO	4.1028.0000.1	981 - 0501
770 STABILO	4.1025.0000.1	967 - 0601



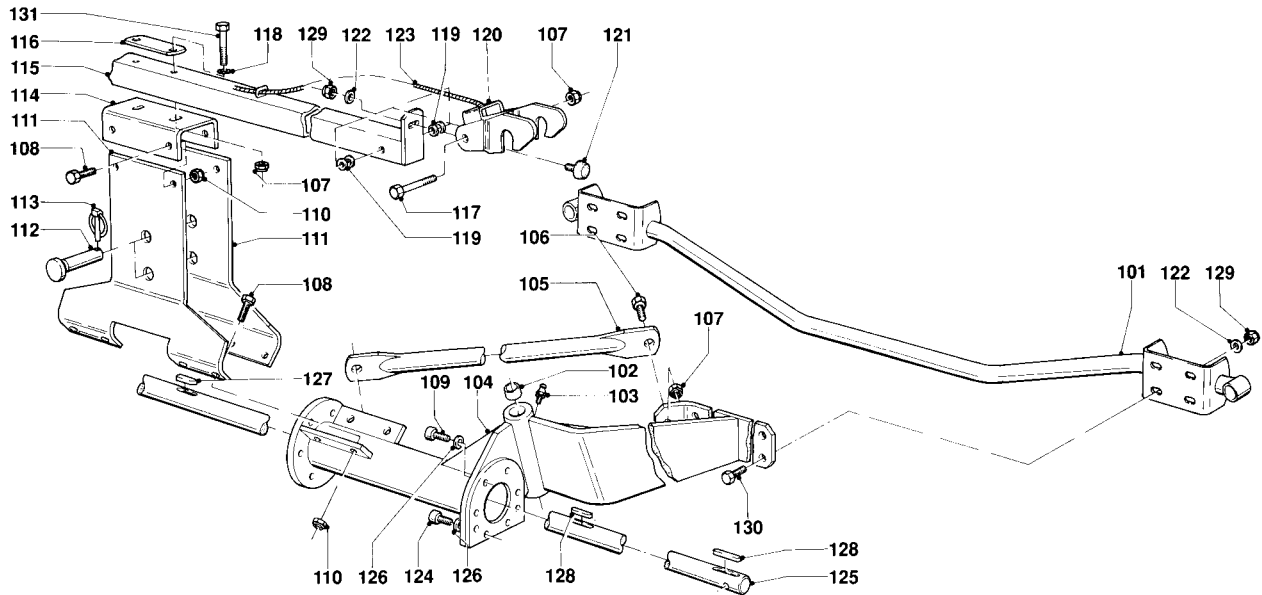
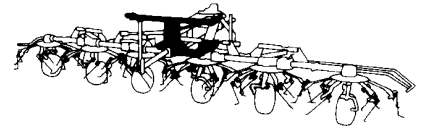
B011-05-01

REF.	ONDERDEELNR. PART NUMBER REFERENCE TEILNUMMER	AANTAL QUANTITY QUANTITE ANZAHL		
001	4.1019.0198.0	1		
002	4.1017.0192.0	1		
003ab	9.1001.0056.6	2	6307 2RS-1	640+675+725
003a	9.1001.0056.6	1	6307 2RS-1	770
003b	9.1004.0013.2	1	NUP 307 EC	770
004	4.1013.1444.0	1		
005	9.1119.0009.2	1	35x1,50 DIN 471	
006	9.1120.0011.3	1	80x2,50 DIN 472	
007	9.1106.0016.1	1	Z 307	
008	9.1066.0006*3	1	Ø85 - Ø110	
009	9.1161.0009.2	1		
010	9.1042.0007.0	1	30x62x10 B2	[> <]
011	4.1019.0193.0	1		
012	9.1001.0065.1	1	6009 2RS-1-C4	
013	4.1017.0190.0	1		
014	9.1051.0002*0	16	A10,5 DIN 6798	[//////]
015	9.1113.0029*0	16	M10x25 DIN 933-8.8	
016	9.1081.0002.5	2	M10x35 DIN 939-5.8	
017	9.1030.0004*2	2	M10 DIN 985-8	
018	4.1017.0440.0	1		
019	4.1016.0260.0	1		
020	9.1070.0058*2	1	Ø14x65 DIN 1481	
021	9.1108.0049.5	1		
022	4.1016.0298.0	1		
023	9.1123.0003*6	1	6x6	
024	9.1071.0013.5	1	A8x7x56 DIN 6885	

REF.	ONDERDEELNR. PART NUMBER REFERENCE TEILNUMMER	AANTAL QUANTITY QUANTITE ANZAHL		
031	9.1171.0031.0	(0,25 kg)	1 kg EHL 484 XC ESSO	
	9.1171.0030.6	(0,25 kg)	5 kg EHL 484 XC ESSO	

LELY

LOTUS	type number type number numéro de type Typnummer	vanaf serienummer as from serial number après numéro de serie ab Seriennummer
675 STABILO	4.1024.0000.1	952 - 0501
770 STABILO	4.1025.0000.1	954 - 0501



B033-03-00

REF.	ONDERDEELNR. PART NUMBER REFERENCE TEILNUMMER	AANTAL QUANTITY QUANTITE ANZAHL	
------	--	--	--

675/770

101	4.1024.0231.0	1 / -	
	4.1025.0230.0	- / 1	
102	9.1077.0003.3	4	30/38x18 DIN 1498
103	9.1068.0007*2	2	AM8x1,25 DIN 71412
104	4.1024.0111.0	1 / -	[R]
	4.1025.0110.0	- / 1	[R]
	4.1024.0091.0	1 / -	[L][x]
	4.1025.0090.0	- / 1	[L][x]
105	4.1024.1497.0	2 / -	
	4.1025.1498.0	- / 2	
106	9.1113.0122*2	4	M16x40 DIN 933-8.8
107	9.1030.0014*5	8	M16 DIN 985-8
108	9.1113.0125*5	12	M12x35 DIN 933-8.8
109	9.1057.0014.6	12	M12x35 DIN 912-12.9
110	9.1030.0013*4	12	M12 DIN 985-8
111	4.1024.1499.0	2	
112	9.1088.0005*1	2	Ø19,4 - Ø25,7 L=166
113	9.1123.0002*5	2	
114	4.1024.1498.0	1	
115	4.1024.0120.0	1 / -	
	4.1025.0120.0	- / 1	
116	4.1024.0436.0	1	
117	9.1113.0084*6	2	M16x110 DIN 931-8.8

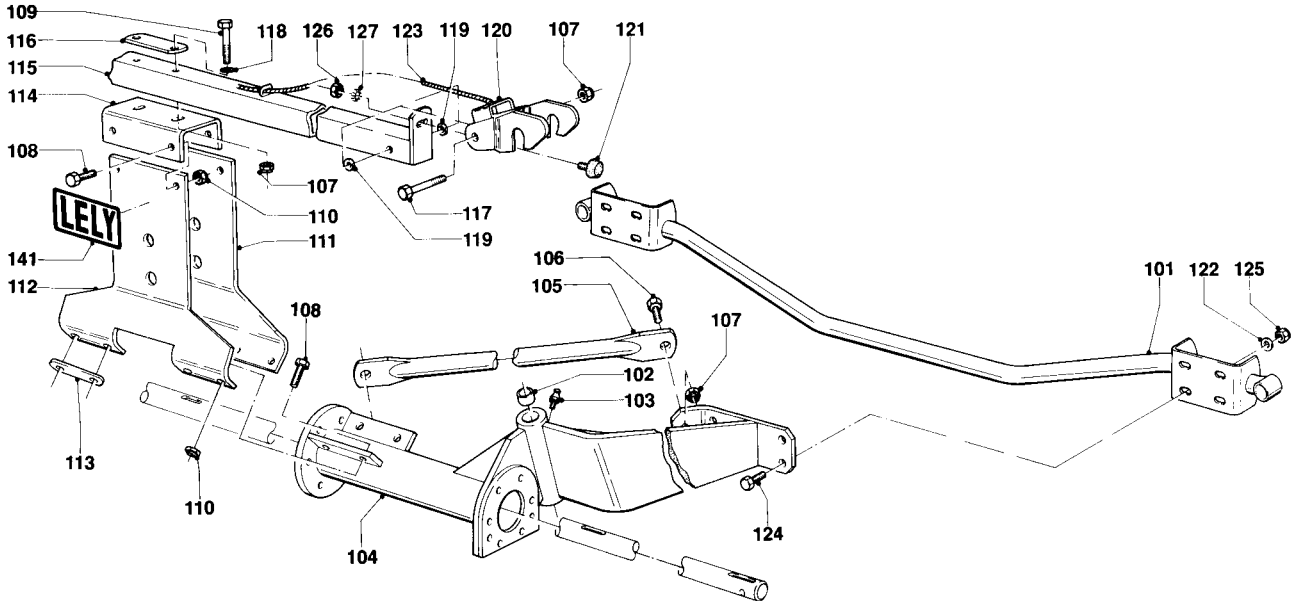
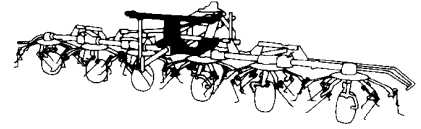
REF.	ONDERDEELNR. PART NUMBER REFERENCE TEILNUMMER	AANTAL QUANTITY QUANTITE ANZAHL	
------	--	--	--

675/770

118	9.1048.0043*2	4	17 DIN 7349 [—]
119	9.1048.0015*2	4	A17 DIN 125 [—]
120	4.1024.0130.0	2	
121	9.1105.0001.1	2	M10x32
122	9.1048.0008*2	10	A10,5 DIN 9021 [—]
123	9.1163.0008.6	1	Ø 6 Tiptolon L= 4000 mm
	9.1163.0009.0	1 / -	Ø 6 Tiptolon L= 1500 mm
	9.1163.0012.3	- / 1	Ø 6 Tiptolon L= 1700 mm
124	9.1057.0030.1	4	M12x25 DIN 912-12.9
125	4.1024.0198.0	1	
	4.1025.0199.0	1	
126	9.1121.0011.2	16	A12 DIN 127 [—]
127	9.1071.0013.5	1	A8x7x56 DIN 6885
128	9.1071.0014.6	4	A8x7x50 DIN 6885
129	9.1030.0004*2	10	M10 DIN 985-8
130	9.1113.0117*4	8	M10x35 DIN 933-8.8
131	9.1113.0083*5	2	M16x100 DIN 931-8.8



LOTUS	type number type number numéro de type Typnummer	vanaf serienummer as from serial number après numéro de serie ab Seriennummer
640 STABILO	4.1027.0000.1	973 - 0501
675 STABILO	4.1024.0000.1	967 - 0937
725 STABILO	4.1028.0000.1	981 - 0501
770 STABILO	4.1025.0000.1	967 - 0601



B033-05-00

REF.	ONDERDEELNR. PART NUMBER REFERENCE TEILNUMMER	AANTAL QUANTITY QUANTITE ANZAHL	640	675	725	770
------	--	--	-----	-----	-----	-----

640 675 725 770

101	4.1027.0190.0	1	-	-	-	
	4.1024.0231.0	-	1	1	-	
	4.1025.0230.0	-	-	-	1	
102	9.1077.0003.3	4	4	4	4	30/38x18 DIN 1498
103	9.1068.0007*2	2	2	2	2	AM8x1,25 DIN 71412
104	4.1027.0110.0	1	-	-	-	[R]
	4.1024.0111.0	-	1	1	-	[R]
	4.1025.0111.0	-	-	-	1	[R]
	4.1027.0120.0	1	-	-	-	[L][x]
	4.1024.0091.0	-	1	1	-	[L][x]
	4.1025.0091.0	-	-	-	1	[L][x]
105	4.1027.1497.0	2	-	-	-	
	4.1024.1497.0	-	2	2	-	
	4.1025.1498.0	-	-	-	2	
106	9.1113.0122*2	4	4	4	4	M16x40 DIN 933-8.8
107	9.1030.0014*5	8	8	8	8	M16 DIN 985-8
108	9.1113.0125*5	12	12	12	12	M12x35 DIN 933-8.8
109	9.1113.0083*5	2	2	2	2	M16x100 DIN 931-8.8
110	9.1030.0013*4	12	12	12	12	M12 DIN 985-8
111	4.1027.1499.0	1	-	-	-	
	4.1024.1499.0	-	1	-	1	
	4.1028.1498.0	-	-	1	-	

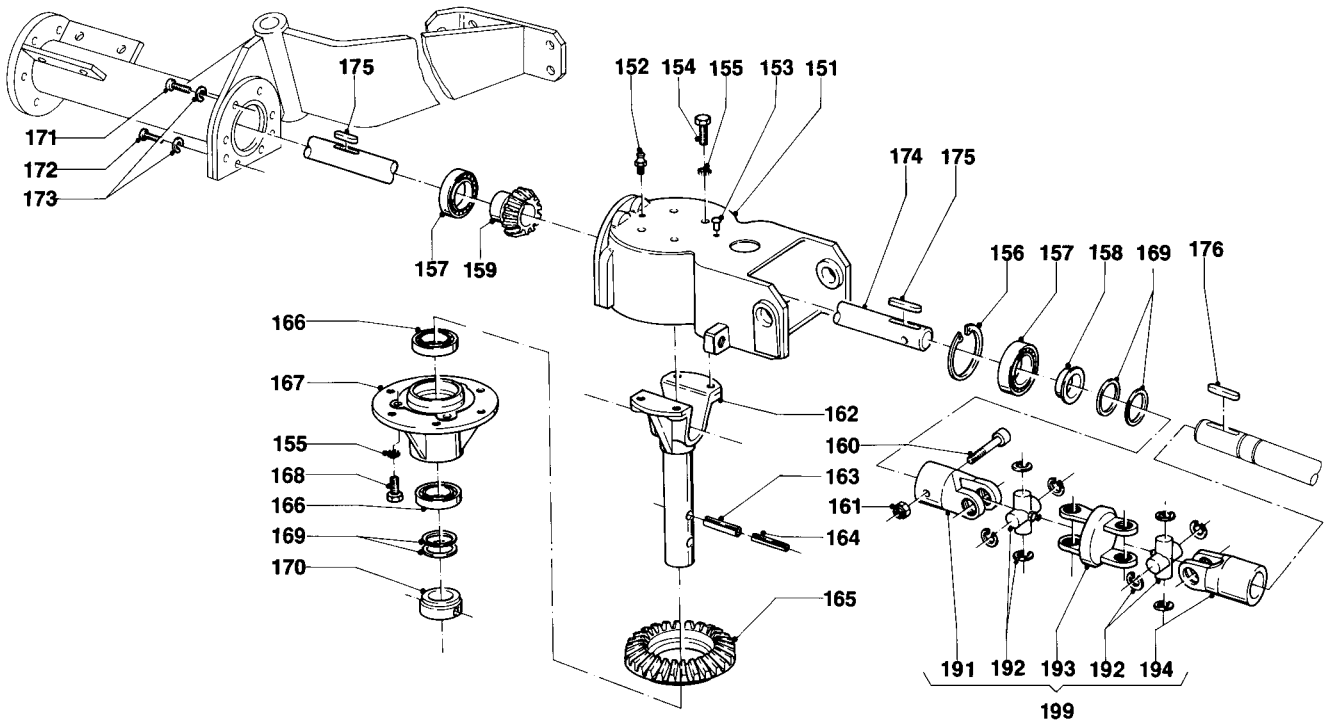
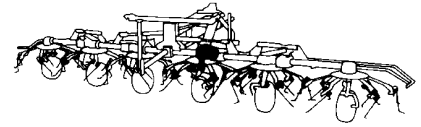
640 675 725 770

REF.	ONDERDEELNR. PART NUMBER REFERENCE TEILNUMMER	AANTAL QUANTITY QUANTITE ANZAHL	640	675	725	770
------	--	--	-----	-----	-----	-----

112	4.1027.1499.0	1	-	-	-	
	4.1024.1499.0	-	1	-	1	
	4.1028.1499.0	-	-	1	-	
113	4.1024.1489.0	-	-	-	-	
114	4.1024.1498.0	1	1	1	1	
115	4.1027.0230.0	1	-	-	-	
	4.1024.0120.0	-	1	1	-	
	4.1025.0120.0	-	-	-	1	
116	4.1024.0436.0	1	1	1	1	
117	9.1113.0084*6	2	2	2	2	M16x110 DIN 931-8.8
118	9.1048.0043*2	2	2	2	2	17 DIN 7349 []
119	9.1048.0015*2	4	4	4	4	A17 DIN 125 []
120	4.1024.0130.0	2	2	2	2	
121	9.1105.0011.4	2	2	2	2	M10x28
122	9.1048.0008*2	8	8	8	8	A10,5 DIN 9021 []
123	4.1201.1462.0	1	1	1	1	Ø6x4m-1m=9.1163.0004.2
	4.1024.1488.0	1	1	1	-	Ø6x1,5m-1m = "
	4.1025.1492.0	-	-	-	1	Ø6x1,7m-1m = "
124	9.1113.0117*4	8	8	8	8	M10x35 DIN 933-8.8
125	9.1030.0004*2	8	8	8	8	M10 DIN 985-8
126	9.1029.0005*4	2	2	2	2	M10 DIN 934-8
127	9.1051.0002*0	2	2	2	2	A10,5 DIN6798 []
141	9.1170.0204.6	1	1	1	1	"LELY"



LOTUS	type nummer type number numéro de type Typnummer	vanaf serienummer as from serial number après numéro de serie ab Seriennummer
640 STABILO	4.1027.0000.1	973 - 0501
675 STABILO	4.1024.0000.1	967 - 0937
725 STABILO	4.1028.0000.1	981 - 0501
770 STABILO	4.1025.0000.1	967 - 0601



B051-02-01

REF.	ONDERDEELNR. PART NUMBER REFERENCE TEILNUMMER	AANTAL QUANTITY QUANTITE ANZAHL
------	--	--

151	4.1024.0194.0	2
152	9.1068.0007*2	2
153	9.1108.0064.6	2
154	9.1113.0117*4	8
155	9.1051.0002*0	14
156	9.1120.0026.4	2
157	9.1001.0088.3	4
158	4.1024.0197.0	2
159	4.1024.0199.0	2
160	9.1057.0026.4	2
161	9.1030.0004*2	2
162	4.1019.0190.0	2
163	9.1070.0057*1	4
164	9.1070.0056*0	4
165	4.1017.0182.0	2
166	9.1001.0098.6	4
167	4.1024.0193.0	2
168	9.1113.0120*0	6
169	4.1019.0188.0	~
170	4.1019.0189.0	2
171	9.1057.0014.6	12
172	9.1057.0023.1	4
173	9.1121.0011.2	16

REF.	ONDERDEELNR. PART NUMBER REFERENCE TEILNUMMER	AANTAL QUANTITY QUANTITE ANZAHL
------	--	--

174	4.1027.0109.0	1
	4.1024.0198.0	1
	4.1025.0199.0	1
175	9.1071.0014.6	4
176	9.1071.0012.4	2
191	4.1017.0077.0	1+1
192	9.1160.0003.4	2+2
193	4.1016.0078.0	1+1
194	4.1017.0079.0	1+1
199	4.1017.0071.0	2

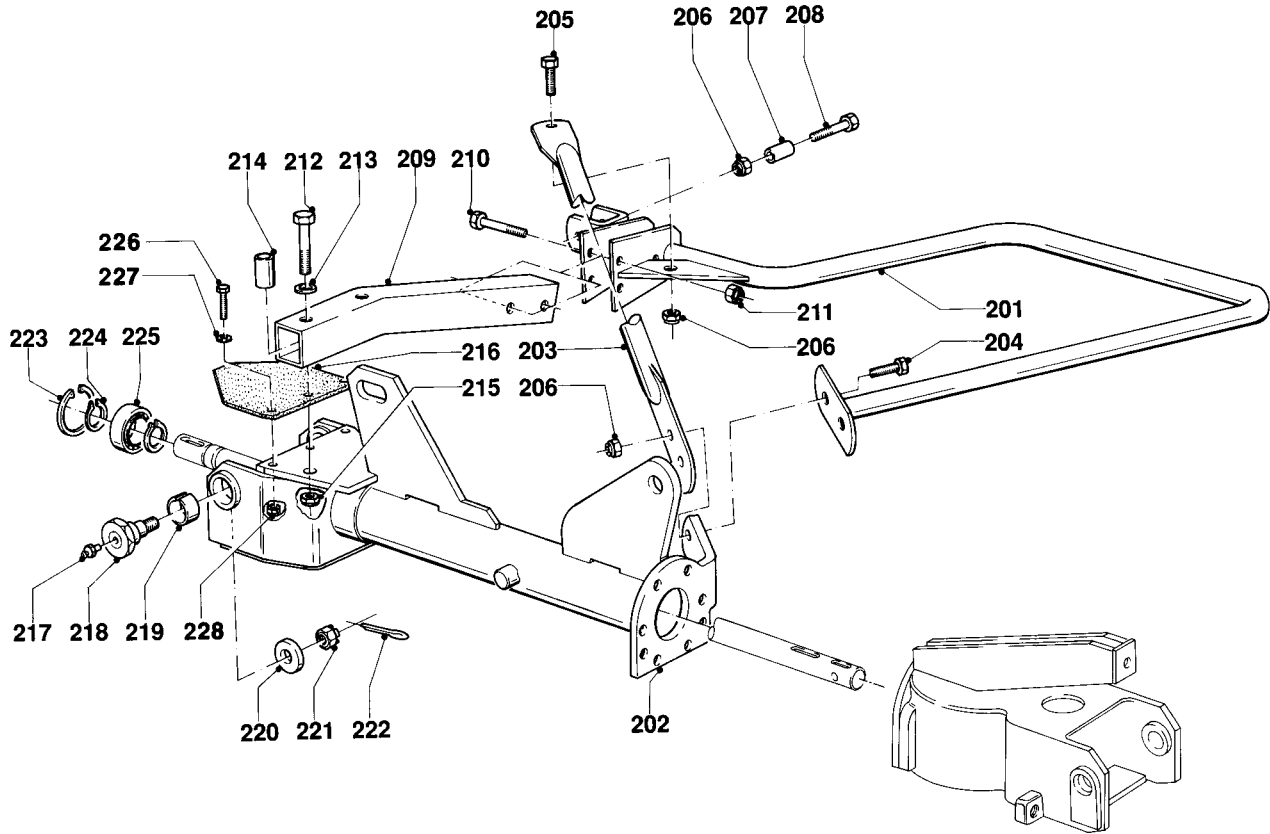
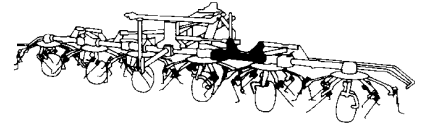
LOTUS 640
LOTUS 675/725
LOTUS 770
A8x7x50 DIN 6885
A8x7x45 DIN 6885

Cpl.

= REF. 191-194

LELY

LOTUS	type nummer type number número de type Typnummer	vanaf serienummer as from serial number après numéro de serie ab Seriennummer
640 STABILO	4.1027.0000.1	973 - 0501
675 STABILO	4.1024.0000.1	952 - 0501
725 STABILO	4.1028.0000.1	981 - 0501
770 STABILO	4.1025.0000.1	954 - 0501



B034-04-01

REF.	ONDERDEELNR. PART NUMBER REFERENCE TEILNUMMER	AANTAL QUANTITY QUANTITE ANZAHL	640	675	725	770
------	--	--	-----	-----	-----	-----

640 675 725 770

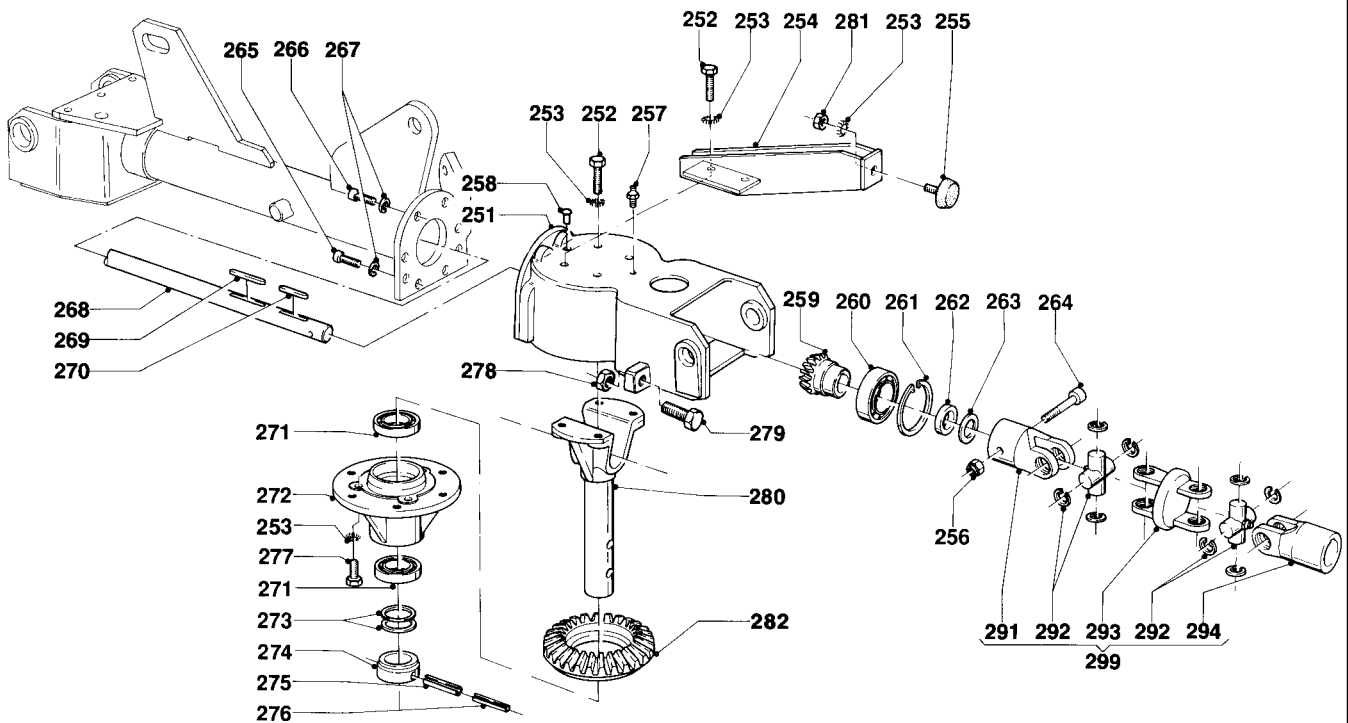
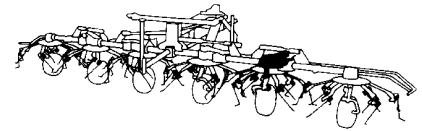
201	4.1027.0200.0	2	-	-	-	
	4.1024.0430.0	-	2	-	-	
	4.1028.0100.0	-	-	2	-	
	4.1025.0450.0	-	-	-	2	
202	4.1027.0140.0	1	-	-	-	[R]
	4.1024.0421.0	-	1	-	-	[R]
	4.1025.0420.0	-	-	1	1	[R]
	4.1027.0160.0	1	-	-	-	[L][x]
	4.1024.0321.0	-	1	-	-	[L][x]
	4.1025.0320.0	-	-	1	1	[L][x]
203	4.1027.1498.0	2	-	-	-	
	4.1024.1496.0	-	2	-	-	
	4.1028.1497.0	-	-	2	-	
	4.1025.1499.0	-	-	-	2	
204	9.1113.0121*1	4	4	4	4	M16x50 DIN 933-8.8
205	9.1113.0122*2	2	2	2	2	M16x40 DIN 933-8.8
206	9.1030.0014*5	8	8	8	8	M16 DIN 985-8
207	4.1024.1494.0	2	2	2	2	
208	9.1113.0102*3	2	2	2	2	M16x80 DIN 931-8.8
209	4.1024.1495.0	2	2	2	-	
	4.1025.1496.0	-	-	-	2	
210	9.1113.0061*4	4	4	4	4	M12x80 DIN 933-8.8
211	9.1030.0013*4	4	4	4	4	M12 DIN 985-8

REF.	ONDERDEELNR. PART NUMBER REFERENCE TEILNUMMER	AANTAL QUANTITY QUANTITE ANZAHL	640	675	725	770
------	--	--	-----	-----	-----	-----

212	9.1113.0101*2	4				M14x80 DIN 931-8.8
213	9.1048.0043*2	4				17 DIN 7349 []
214	4.1024.1491.0	2				
215	9.1030.0015*6	4				M14 DIN 985-8
216	4.1024.1490.0	2				
217	9.1068.0007*2	4				AM8x1,25 DIN 71412
218	4.1016.1499.0	4				
219	9.1077.0003.3	4				30/38x18 DIN 1498
220	9.1049.0010.3	4				21x50x6,0
221	9.1031.0009.6	4				M20x1,5 DIN 937-22H
222	9.1072.0005.3	4				4x40 DIN 94
223	9.1120.0005.4	2				62x2,00 DIN 472
224	9.1119.0017.3	4				30x2,00 DIN 471
225	9.1001.0037.1	2				6206 2Z
226	9.1113.0128*1	6				M8x25 DIN 933-8.8
227	9.1048.0005*6	6				A8,4 DIN 9021 []
228	9.1030.0012*3	6				M8 DIN 985-8



LOTUS	type nummer type number número de type Typnummer	vanaf serienummer as from serial number après numéro de serie ab Seriennummer
640 STABILO	4.1027.0000.1	973 - 0501
675 STABILO	4.1024.0000.1	967 - 0937
725 STABILO	4.1028.0000.1	981 - 0501
770 STABILO	4.1025.0000.1	967 - 0601



B052-03-00

REF.	ONDERDEELNR. PART NUMBER REFERENCE TEILNUMMER	AANTAL QUANTITY QUANTITE ANZAHL
------	--	--

251	4.1024.0194.0	2
252	9.1113.0117*4	8
253	9.1051.0002*0	16
254	4.1024.0360.0	2
255	9.1105.0011.4	2
256	9.1030.0004*2	2
257	9.1068.0007*2	2
258	9.1108.0064.6	2
259	4.1019.0197.0	2
260	9.1001.0078.0	2
261	9.1120.0026.4	2
262	4.1019.0194.0	(2)
263	9.1093.0002.0	(-)
264	9.1057.0026.4	2
265	9.1057.0030.1	4
266	9.1057.0023.1	12
267	9.1121.0011.2	16
268	4.1027.0139.0	2
	4.1024.0399.0	2
	4.1025.0399.0	2
269	9.1071.0014.6	2
270	9.1071.0010.2	2
271	9.1001.0098.6	4
272	4.1024.0193.0	2
273	4.1019.0188.0	-

[D+D]

REF.	ONDERDEELNR. PART NUMBER REFERENCE TEILNUMMER	AANTAL QUANTITY QUANTITE ANZAHL
------	--	--

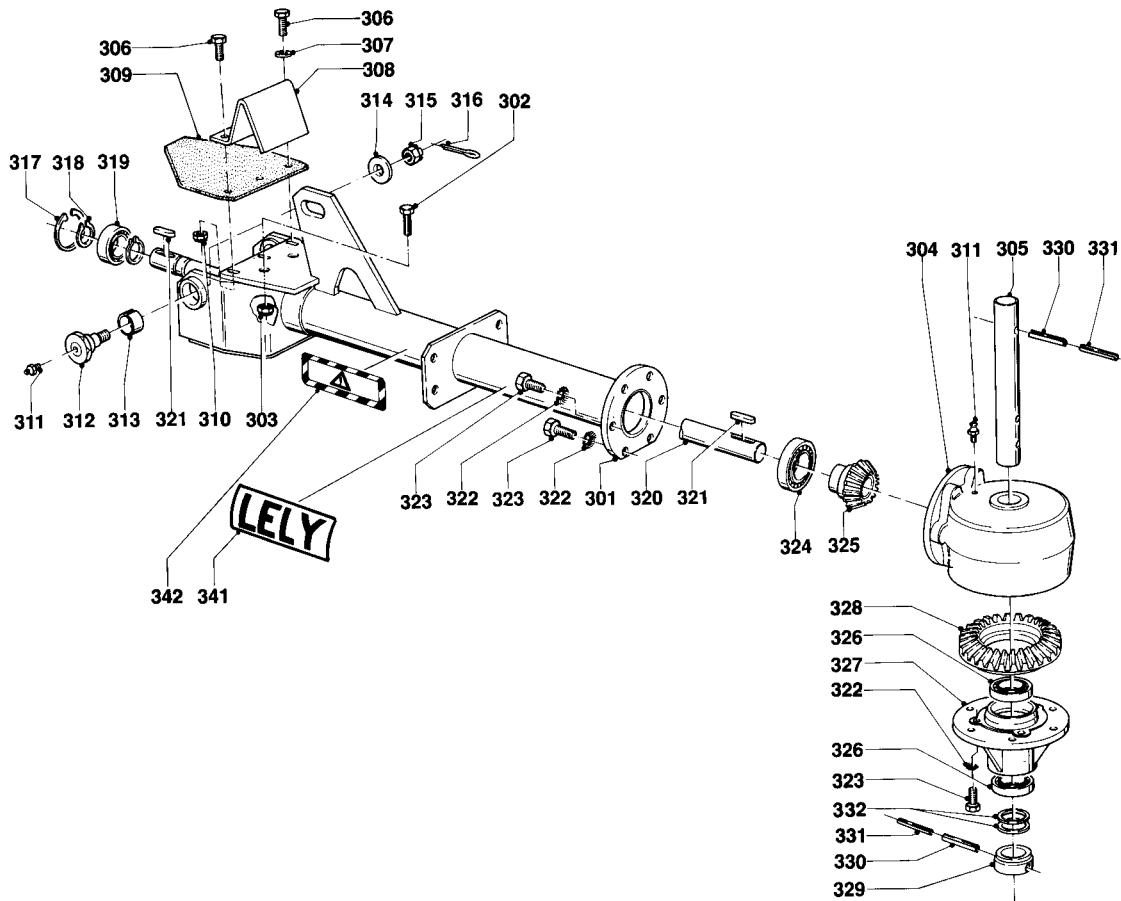
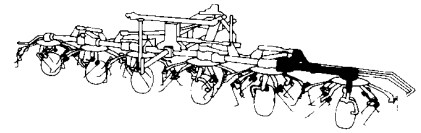
274	4.1019.0189.0	2
275	9.1070.0057*1	2
276	9.1070.0056*0	2
277	9.1113.0120*0	6
278	9.1029.0012*4	4
279	9.1113.0069*5	4
280	4.1019.0190.0	2
281	9.1029.0005*4	2
282	4.1017.0182.0	2
291	4.1017.0077.0	1+1
292	9.1160.0003.4	2+2
293	4.1016.0078.0	1+1
294	4.1017.0079.0	1+1
299	4.1024.0195.0	2

Cpl.

= REF. 291-294



LOTUS	type nummer type number numéro de type Typnummer	vanaf serienummer as from serial number après numéro de serie ab Seriennummer
640 STABIO	4.1027.0000.1	973 - 0501
675 STABIO	4.1024.0000.1	967 - 0937
725 STABIO	4.1028.0000.1	981 - 0501
770 STABIO	4.1025.0000.1	967 - 0601



B035-04-01

REF.	ONDERDEELNR. PART NUMBER REFERENCE TEILNUMMER	AANTAL QUANTITY QUANTITE ANZAHL	640	675	725	770
------	--	--	-----	-----	-----	-----

640 675 725 770

301	4.1027.0180.0	2	-	-	-	
	4.1024.0630.0	-	2	2	-	
	4.1025.0710.0	-	-	-	2	
302	9.1113.0119*6	2				M14x30 DIN 933-8.8
303	9.1030.0015*6	2				M14 DIN 985-8
304	4.1019.0393.0	2				
305	4.1019.0392.0	2				
306	9.1113.0130*3	6				M8x30 DIN 933-8.8
307	9.1048.0005*6	2				A8,4 DIN 9021 [—]
308	4.1024.1493.0	2				
309	4.1024.1490.0	2				
310	9.1030.0012*3	6				M8 DIN 985-8
311	9.1068.0007*2	6				AM8x1,25 DIN 71412
312	4.1016.1499.0	4				
313	9.1077.0003.3	4				30/38x18 DIN 1498
314	9.1049.0010.3	4				21x50x6,0
315	9.1031.0009.6	4				M20x1,5 DIN 937-22H
316	9.1072.0005.3	4				4x40 DIN 94
317	9.1120.0005.4	2				62x2,00 DIN 472
318	9.1119.0008.1	4				30x1,50 DIN 471
319	9.1001.0037.1	2				6206 2Z

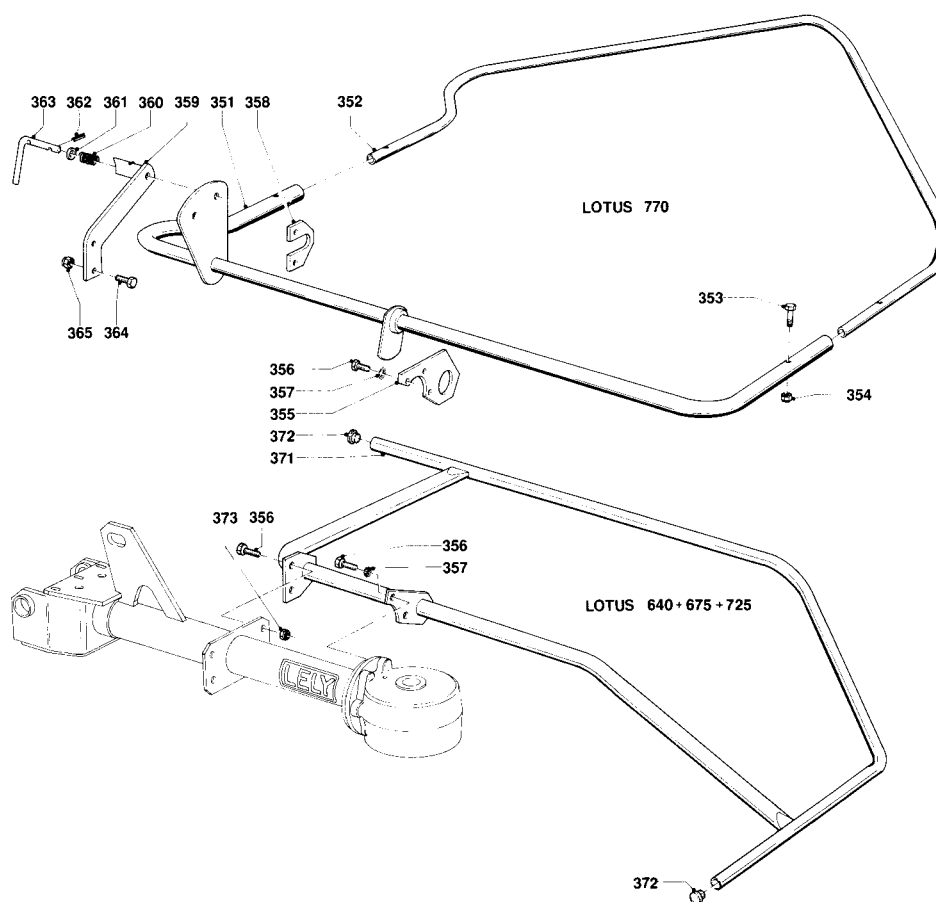
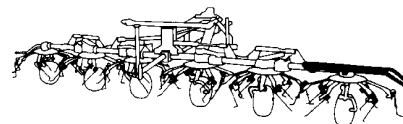
REF.	ONDERDEELNR. PART NUMBER REFERENCE TEILNUMMER	AANTAL QUANTITY QUANTITE ANZAHL	640	675	725	770
------	--	--	-----	-----	-----	-----

640 675 725 770

320	4.1027.0179.0	2	-	-	-	
	4.1017.0392.0	-	2	2	-	
	4.1021.0298.0	-	-	-	2	
321	9.1071.0012.4	4				A8x7x45 DIN 6885
322	9.1051.0002*0	14				A10,5 DIN 6798 [////]
323	9.1113.0120*0	14				M10x30 DIN 933-8.8
324	9.1001.0078.0	2				6009 2Z
325	4.1019.0197.0	2				
326	9.1001.0098.6	4				6007 2Z
327	4.1024.0193.0	2				
328	4.1017.0182.0	2				
329	4.1019.0189.0	2				
330	9.1070.0057*1	4				Ø10x55 DIN 1481
331	9.1070.0056*0	4				Ø6x55 DIN 1481
332	4.1019.0188.0	~				[D+D]
341	9.1170.0204.6	2				"LELY"
342	9.1170.0052.1	2				"LET OP DRAAIENDE DELEN"

LELY

LOTUS	type nummer type number numéro de type Typnummer	vanaf serienummer as from serial number après numéro de serie ab Seriennummer
640 STABILO	4.1027.0000.1	973 - 0501
675 STABILO	4.1024.0000.1	952 - 0501
725 STABILO	4.1028.0000.1	981 - 0501
770 STABILO	4.1025.0000.1	954 - 0501



B053-02-00

REF.	ONDERDEELNR. PART NUMBER REFERENCE TEILNUMMER	AANTAL QUANTITY QUANTITE ANZAHL	
------	--	--	--

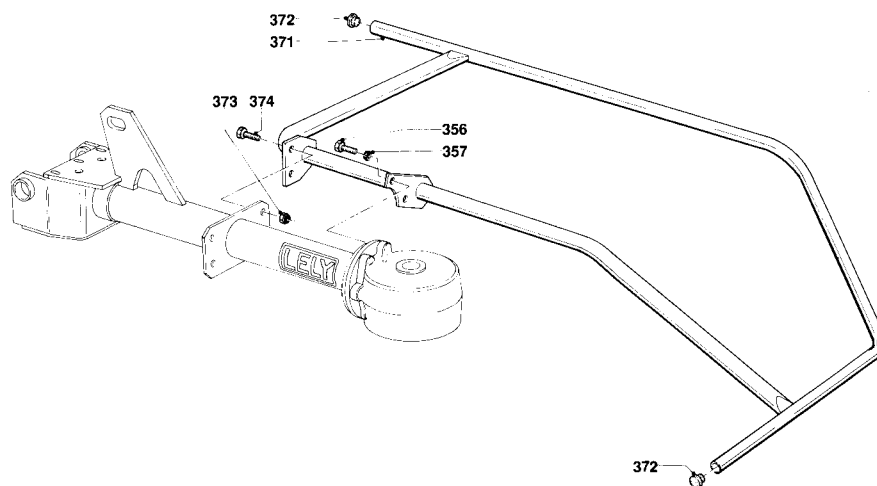
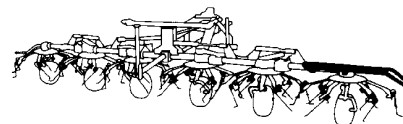
351	4.1025.0740.0	1	[R]
	4.1025.0750.0	1	[L][x]
352	4.1025.1495.0	1	[R]
	4.1025.1494.0	1	[L][x]
353	9.1113.0018*3	4	M8x45 DIN 931-8.8
354	9.1030.0012*3	4	M8 DIN 985-8
355	4.1025.1493.0	2	
356	9.1113.0117*4	8	M10x35 DIN 933-8.8
357	9.1051.0002*0	6	A10,5 DIN 6798 [//////]
358	4.1019.0395.0	2	
359	4.1025.0470.0	1	[R]
	4.1025.0460.0	1	[L][x]
360	4.1002.0093.0	2	
361	9.1048.0015*2	2	A17 DIN 125 [—]
362	9.1070.0017*3	1	Ø6x30 DIN 1481
363	4.1025.0079.0	2	
364	9.1113.0125*5	8	M12x35 DIN 933-8.8
365	9.1030.0013.4	8	M12 DIN 985-8

REF.	ONDERDEELNR. PART NUMBER REFERENCE TEILNUMMER	AANTAL QUANTITY QUANTITE ANZAHL	
------	--	--	--

371	4.1027.0210.0	1	[R]	LOTUS 640
	4.1027.0220.0	1	[L][x]	LOTUS 640
371	4.1024.0720.0	1	[R]	LOTUS 675
	4.1024.0620.0	1	[L][x]	LOTUS 675
371	4.1028.0120.0	1	[R]	LOTUS 725
	4.1028.0110.0	1	[L][x]	LOTUS 725
372	9.1108.0037.0	4		
373	9.1030.0004*2	4	M10 DIN 985-8	



LOTUS	type nummer type number numéro de type Typnummer	vanaf serienummer as from serial number après numéro de serie ab Seriennummer
675 STABILO	4.1024.0000.1	1000 - 0501



B053-02-10

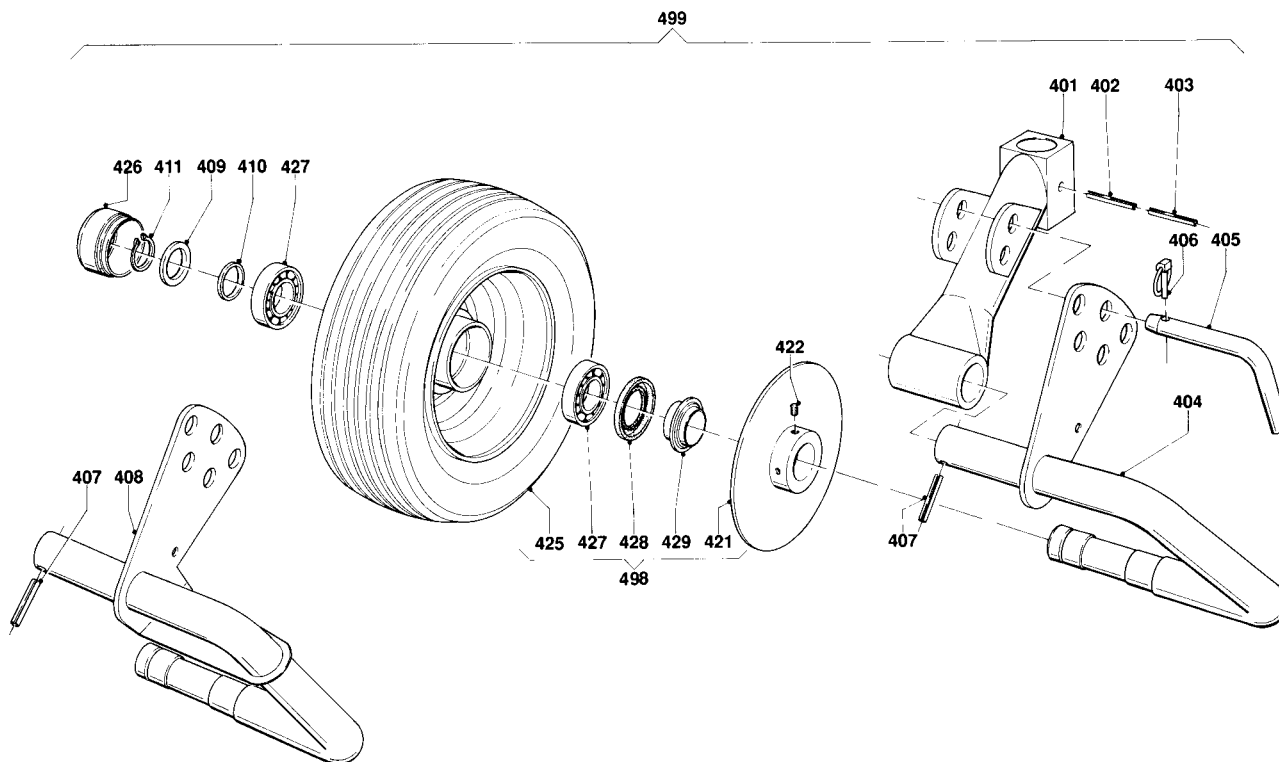
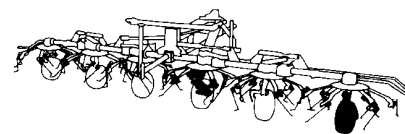
REF.	ONDERDEELNR. PART NUMBER REFERENCE TEILNUMMER	AANTAL QUANTITY QUANTITE ANZAHL	
------	--	--	--

356	9.1113.0117*4	4	M10x35 DIN 933-8.8
357	9.1051.0002*0	4	A10,5 DIN 6798 [//////]
371	4.1024.0721.0	1	[R]
	4.1024.0621.0	1	[L][x]
372	9.1108.0037.0	4	Ø21,2
373	9.1030.0004*2	4	M10 DIN 985-8
374	9.1113.0117*4	4	M10x35 DIN 933-8.8

REF.	ONDERDEELNR. PART NUMBER REFERENCE TEILNUMMER	AANTAL QUANTITY QUANTITE ANZAHL	
------	--	--	--

LELY

LOTUS	type number type number numéro de type Typnummer	vanaf serienummer as from serial number après numéro de serie ab Seriennummer
675 STABILO	4.1024.0000.1	952 - 0501
770 STABILO	4.1025.0000.1	954 - 0501



B036-02-00

REF.	ONDERDEELNR. PART NUMBER REFERENCE TEILNUMMER	AANTAL QUANTITY QUANTITE ANZAHL
------	--	--

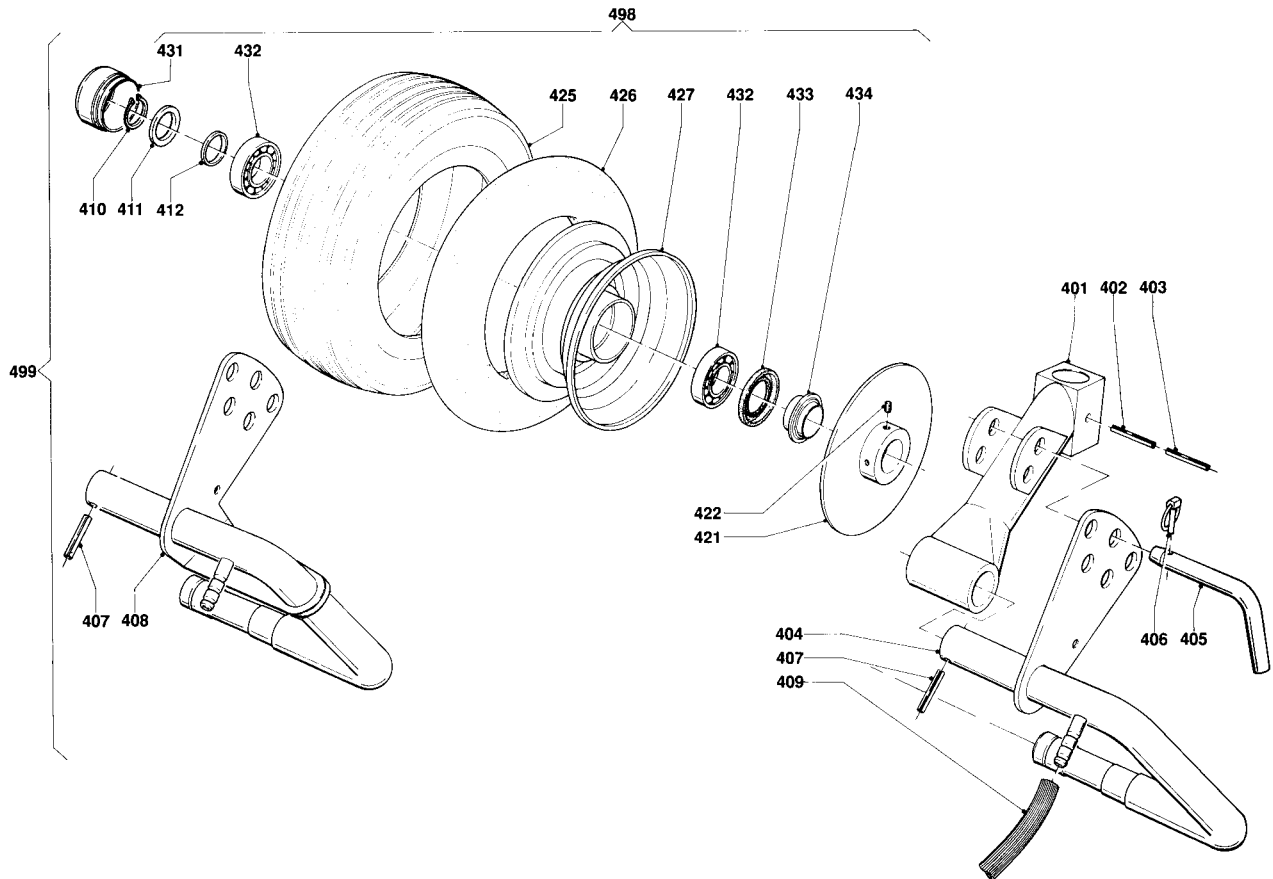
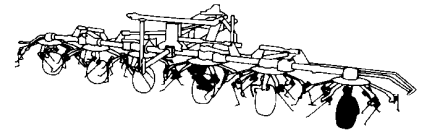
401	4.1019.0120.0	6	
402	9.1070.0057*1	6	Ø10x55 DIN 1481
403	9.1070.0056*0	6	Ø6x55 DIN 1481
404	4.1019.0130.0	2	[L]
	4.1019.0140.0	2	[R][x]
405	4.1003.0142.0	6	
406	9.1123.0003*6	6	6x6
407	9.1070.0039*4	6	Ø10x50 DIN 1481
408	4.1025.0160.0	1	[R]
	4.1025.0150.0	1	[L][x]
409	9.1052.0007.4	6	S25x35 DIN 988 (2)
410	4.1011.0066.0	6	
411	9.1119.0022.1	6	25x2-06 DIN 471
421	4.1019.2000.0	1(6x)	= REF. 421+422
422	9.1063.0008.1	-	M10x8 DIN 916-45H
425	9.1175.0016.2	1(6x)	b = 160 mm
	9.1102.0020.2	-	4,5 x 6
	9.1111.0015.2	-	15x6.00-6 TR13 [x]
	9.1110.0019.0	-	15x6.00-6
426	9.1041.0104.0	1(6x)	Ø52x32
427	9.1001.0035.6	2(6x)	6205-RS
428	9.1106.0014.6	1(6x)	
429	9.1106.0015.0	1(6x)	

REF.	ONDERDEELNR. PART NUMBER REFERENCE TEILNUMMER	AANTAL QUANTITY QUANTITE ANZAHL
------	--	--

498	4.1016.2020.0	(6x)	= REF. 421-429
499	4.1025.0040.0	6	= REF. 401-429 b = 160 mm



LOTUS	type nummer type number numéro de type Typnummer	vanaf serienummer as from serial number après numéro de serie ab Seriennummer
640 STABILO	4.1027.0000.1	973 - 0501
675 STABILO	4.1024.0000.1	967 - 0937
725 STABILO	4.1028.0000.1	981 - 0501
770 STABILO	4.1025.0000.1	967 - 0601



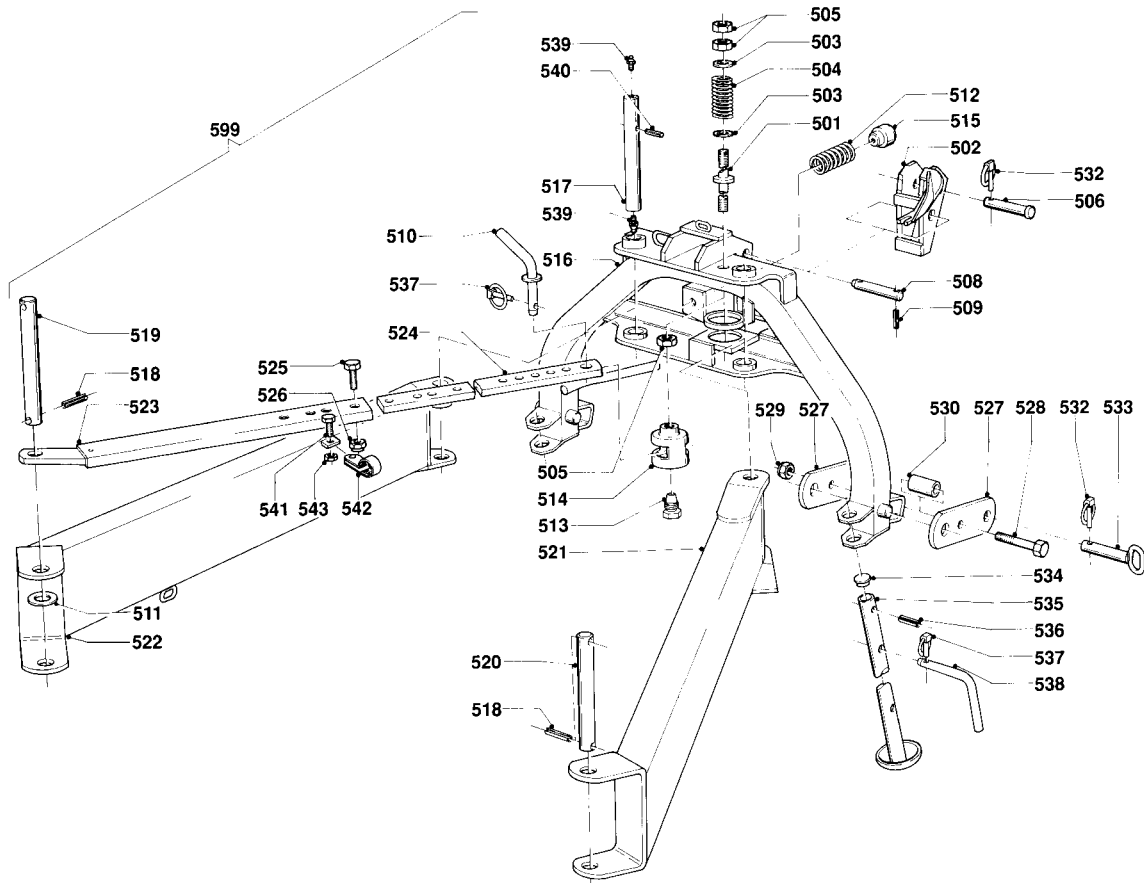
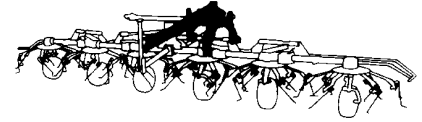
B036-03-01

REF.	ONDERDEELNR. PART NUMBER REFERENCE TEILNUMMER	AANTAL QUANTITY QUANTITE ANZAHL		
401	4.1027.0270.0	3	[R][x]	LOTUS 640
	4.1027.0280.0	3	[L][x]	LOTUS 640
	4.1019.0120.0	6		LOTUS 675/725/770
402	9.1070.0057*1	6	Ø10x55 DIN 1481	
403	9.1070.0056*0	6	Ø6x55 DIN 1481	
404	4.1027.0310.0	2 (+408)	[R]	LOTUS 640
	4.1027.0320.0	2 (+408)	[L][x]	LOTUS 640
404	4.1019.0131.0	2 (+408)	[R]	LOTUS 675/725/770
	4.1019.0141.0	2 (+408)	[L][x]	LOTUS 675/725/770
405	4.1003.0142.0	6		
406	9.1123.0003*6	6	6x6	
407	9.1070.0039*4	6	Ø10x50 DIN 1481	
408	4.1027.0290.0	1 (+404)	[R]*	LOTUS 640
	4.1027.0300.0	1 (+404)	[L]*[x]	LOTUS 640
408	4.1025.0161.0	1 (+404)	[R]*	LOTUS 675/725/770
	4.1025.0151.0	1 (+404)	[L]*[x]	LOTUS 675/725/770
409	4.1021.0479.0	6		
410	9.1119.0022.1	6	25x2-06 DIN 471	
411	9.1052.0007.4	6	S25x35 DIN 988 (2)	
412	4.1011.0066.0	6		
421	4.1019.2000.0	6	(421= 421+422)	
422	9.1063.0008.1	-	M10x8 DIN 916-45H	

REF.	ONDERDEELNR. PART NUMBER REFERENCE TEILNUMMER	AANTAL QUANTITY QUANTITE ANZAHL		
425	9.1110.0019.0	1x	15x6.00-6 Ø370 b= 160 mm	
426	9.1111.0015.2	1x	15x6.00-6	
427	9.1102.0020.2	1x	4,50x6	
431	9.1041.0104.0	1x	Ø52x32	
432	9.1001.0035.6	2x	6205 RS	
433	9.1106.0014.6	1x		
434	9.1106.0015.0	1x		
498	4.1016.2030.0	(6)	= REF. 425-434	
499	4.1027.0260.0	1	= REF. 401-434 LOTUS 640	(=6x)
499	4.1025.0040.0	1	= REF. 401-434 LOTUS 675+725+770	(=6x)

LELY

LOTUS	type number type number numéro de type Typnummer	vanaf serienummer as from serial number après numéro de serie ab Seriennummer
675 STABILO	4.1024.0000.1	952 - 0501
770 STABILO	4.1025.0000.1	954 - 0501



B037-05-00

REF.	ONDERDEELNR. PART NUMBER REFERENCE TEILNUMMER	AANTAL QUANTITY QUANTITE ANZAHL
------	--	--

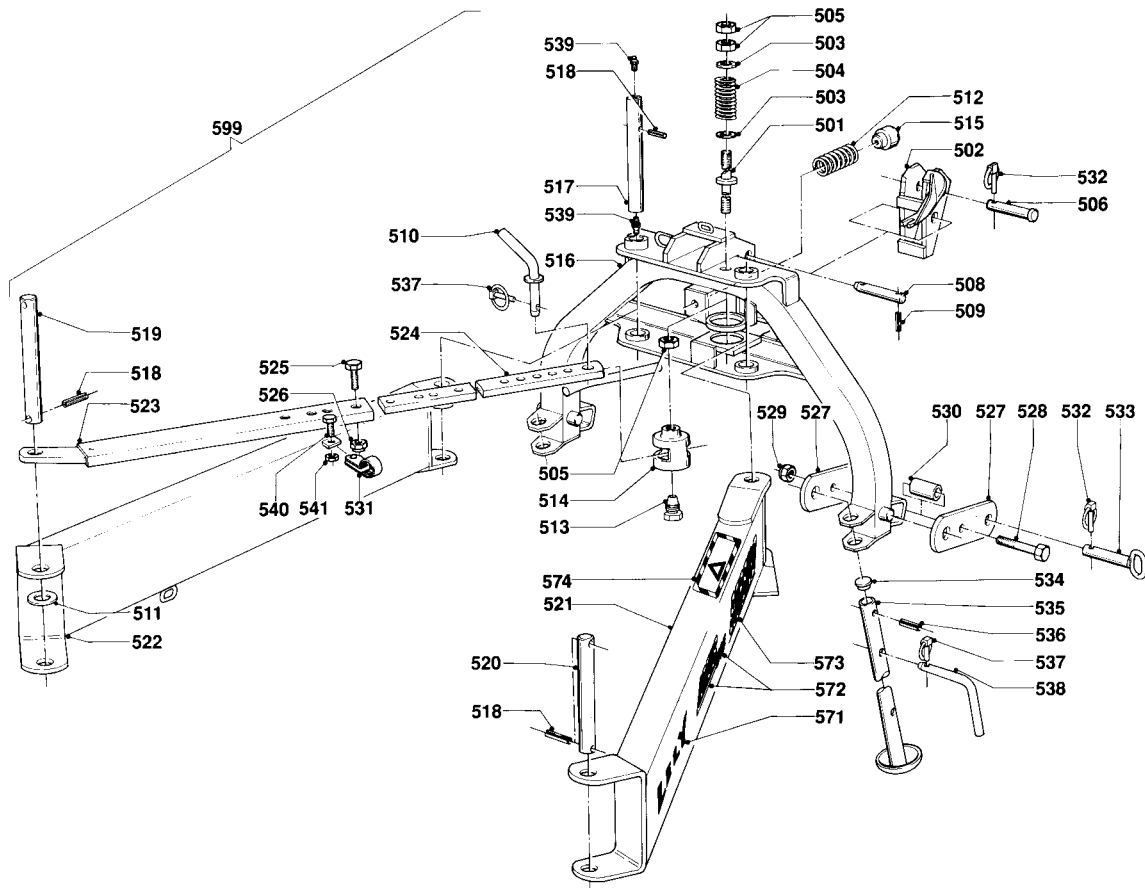
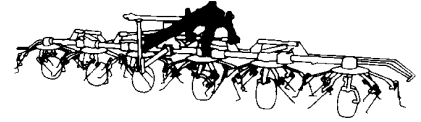
501	4.1016.0890.0	1	
502	4.1016.0951.0	1	
503	9.1048.0019*6	2	
504	9.1090.0017*4	1	
505	9.1029.0016*1	3	
506	9.1088.0005*1	1	
508	.2.3219.1498.0	1	
509	9.1070.0021*0	2	
510	4.1016.0990.0	1	
511	9.1048.0044*3	~	
512	4.1016.0926.0	1	
513	4.1016.0927.0	1	
514	4.1016.0928.0	1	
515	4.1016.0929.0	1	
516	4.1016.0860.0	1	
	4.1025.0860.0	1	
517	4.1016.0812.0	2	
518	9.1070.0039*4	4	
519	4.1016.0815.0	1	
520	4.1016.0816.0	1	
521	4.1016.0850.0	1	
522	4.1016.0840.0	1	
523	4.1016.0931.0	1	
524	4.1016.0813.0	1	
525	9.1113.0121*1	2	
526	9.1030.0014*5	2	
		A21 DIN 125	[]
		M20 DIN 934-8	
		25 - 95	
		Ø8x40 DIN 1481	
		A31 DIN 125	[]
		LOTUS 675	
		LOTUS 770	[x]
		Ø10x50 DIN 1481	
		M16x50 DIN 933-8.8	
		M16 DIN 985-8	

REF.	ONDERDEELNR. PART NUMBER REFERENCE TEILNUMMER	AANTAL QUANTITY QUANTITE ANZAHL
------	--	--

527	4.1025.0819.0	4		
528	9.1113.0097*5	2		
529	9.1030.0017*1	2		
530	4.1016.0818.0	2		
532	9.1123.0002*5	3		
533	1.1804.0310.0	2		
534	9.1108.0021.4	2		
535	4.1017.0141.0	2		
536	9.1070.0023*2	2		
537	9.1123.0003*6	3		
538	4.1016.0298.0	2		
539	9.1068.0007*2	4		
540	9.1070.0027*6	2		
541	9.1113.0127*0	1		
542	9.1137.0902.2	1 / 2		
543	9.1030.0011*2	1		
		M20x120 DIN 931-8.8		
		M20 DIN 985-8		
		8x11		
		Ø8x50 DIN 1481		
		6x6		
		AM8x1,25 DIN 71412		
		Ø10x45 DIN 1481		
		M6x20 DIN 933-8.8		
		M6 DIN 985-8	675/770	
599	4.1016.0810.0	1	= REF. 501-543	675
599	4.1025.0810.0	1	= REF. 501-574	770[x]

LELY

LOTUS	type nummer type number número de type Typnummer	vanaf serienummer as from serial number après numéro de serie ab Seriennummer
640 STABILO	4.1027.0000.1	973 - 0501
675 STABILO	4.1024.0000.1	967 - 0937
725 STABILO	4.1028.0000.1	981 - 0501
770 STABILO	4.1025.0000.1	967 - 0601



B037-06-00

REF.	ONDERDEELNR. PART NUMBER REFERENCE TEILNUMMER	AANTAL QUANTITY QUANTITE ANZAHL
------	--	--

501	4.1016.0890.0	1
502	4.1016.0951.0	1
503	9.1048.0019*6	2
504	9.1090.0017*4	1
505	9.1029.0016*1	3
506	9.1088.0005*1	1
508	4.1016.1483.0	1
509	9.1070.0021*0	2
510	4.1016.0990.0	1
511	9.1048.0044*3	~
512	4.1016.0926.0	1
513	4.1016.0927.0	1
514	4.1016.0928.0	1
515	4.1016.0929.0	1
516	4.1016.0860.0	1
517	4.1016.0812.0	2
518	9.1070.0039*4	6
519	4.1016.0815.0	1
520	4.1016.0816.0	1
521	4.1016.0850.0	1
522	4.1016.0840.0	1
523	4.1016.0931.0	1
524	4.1027.0250.0	1
524	4.1016.0813.0	1
524	4.1027.0249.0	1
525	9.1113.0121*1	2
526	9.1030.0014*5	2

REF.	ONDERDEELNR. PART NUMBER REFERENCE TEILNUMMER	AANTAL QUANTITY QUANTITE ANZAHL
------	--	--

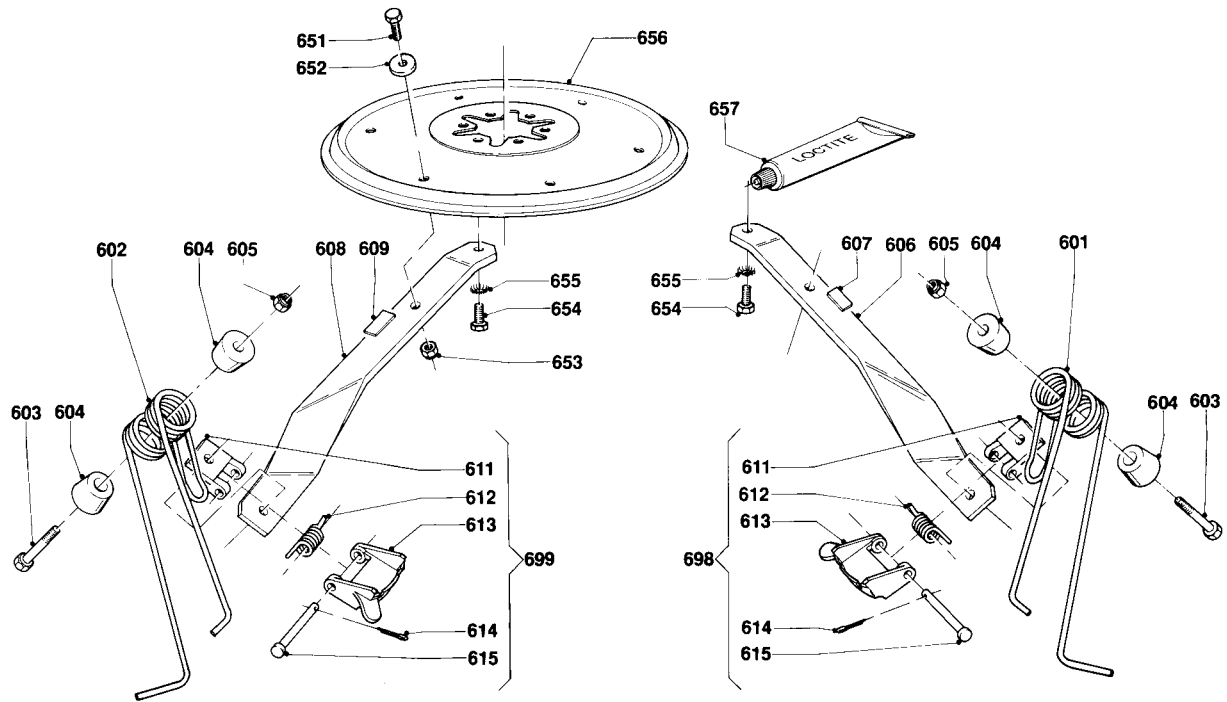
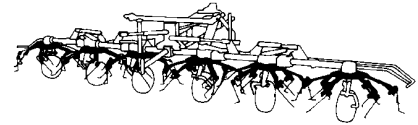
527	4.1025.0819.0	4
528	9.1113.0097*5	2
529	9.1030.0017*1	2
530	4.1016.0818.0	2
531	9.1137.0902.2	2
532	9.1123.0002*5	3
533	1.1804.0310.0	2
534	9.1108.0021.4	2
535	4.1017.0141.0	2
536	9.1070.0023*2	2
537	9.1123.0003*6	3
538	4.1016.0298.0	2
539	9.1068.0007*2	4
540	9.1113.0127*0	1
541	9.1030.0011*2	1
571	9.1170.0200.2	2
572	9.1170.0285.3	2
572	9.1170.0192.1	2
572	9.1170.0283.1	2
572	9.1170.0218.6	2
573	9.1170.0191.0	2
574	9.1170.0052.1	2
599	4.1027.0240.0	1
599	4.1016.0810.0	1

640

675-770

LELY

LOTUS	type number type number numéro de type Typnummer	vanaf serienummer as from serial number après numéro de serie ab Seriennummer
640 STABILO	4.1027.0000.1	973 - 0501
675 STABILO	4.1024.0000.1	940 - 0501
725 STABILO	4.1028.0000.1	981 - 0501
770 STABILO	4.1025.0000.1	954 - 0501



B038-04-00

REF.	ONDERDEELNR. PART NUMBER REFERENCE TEILNUMMER	AANTAL QUANTITY QUANTITE ANZAHL	
------	--	--	--

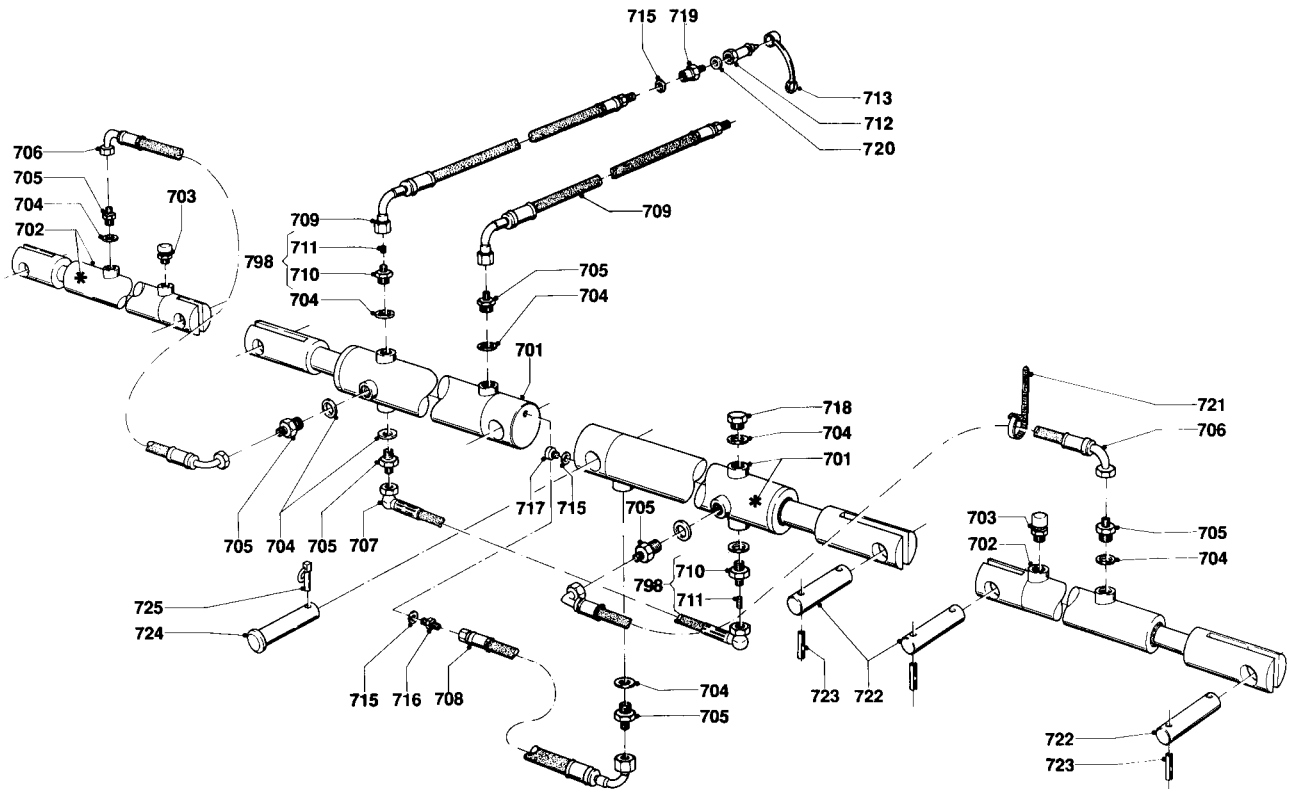
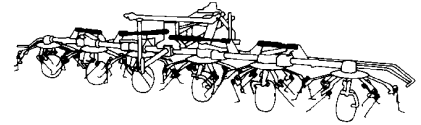
601	4.1017.0126.0	18	[R]+[LD]
602	4.1017.0138.0	18	[L]+[RD]
603	9.1113.0136*2	36	M12x100 DIN 931-8.8
604	4.1015.0055.0	72	
605	9.1030.0013*4	36	M12 DIN 985-8
606	4.1017.0379.0	18	[R]+[LD] LOTUS 640/675
	4.1021.0089.0	18	[R]+[LD] LOTUS 725/770
607	9.1170.0085.6	6	20x45 Blauw-Blue
611	4.1015.0056.0	36	Cpl.= 698/699
612	4.1015.0054.0	36	
613	4.1015.0057.0	36	
614	9.1072.0001*6	36	3x15 DIN 94
615	9.1115.0101*0	36	
608	4.1017.0135.0	18	[L]+[RD] LOTUS 640/675
	4.1021.0099.0	18	[L]+[RD] LOTUS 725/770
609	9.1170.0084.5	6	20x45 Geel-Yellow

REF.	ONDERDEELNR. PART NUMBER REFERENCE TEILNUMMER	AANTAL QUANTITY QUANTITE ANZAHL	
------	--	--	--

651	9.1113.0050*0	36	M12x30 DIN 933-8.8
652	9.1048.0041*0	36	A13 DIN 9021 []
653	9.1030.0013*4	36	M12 DIN 985-8
654	9.1113.0049*6	36	M12x25 DIN 933-8.8
655	9.1051.0003*1	36	A12,5 DIN 6798 []
656	4.1017.0175.0	6	LOTUS 640/675
	4.1019.0191.0	6	LOTUS 725/770
657	9.1126.0001.1	4	Loctite 242 3ml.
698	4.1016.0151.2	-	= REF. 611-615 [R]+[LD]
699	4.1016.0141.2	-	= REF. 611-615 [L]+[RD]

LELY

LOTUS	type nummer type number numéro de type Typnummer	vanaf serienummer as from serial number après numéro de serie ab Seriennummer
640 STABILO	4.1027.0000.1	973 - 0501
675 STABILO	4.1024.0000.1	967 - 0937
725 STABILO	4.1028.0000.1	981 - 0501
770 STABILO	4.1025.0000.1	967 - 0601



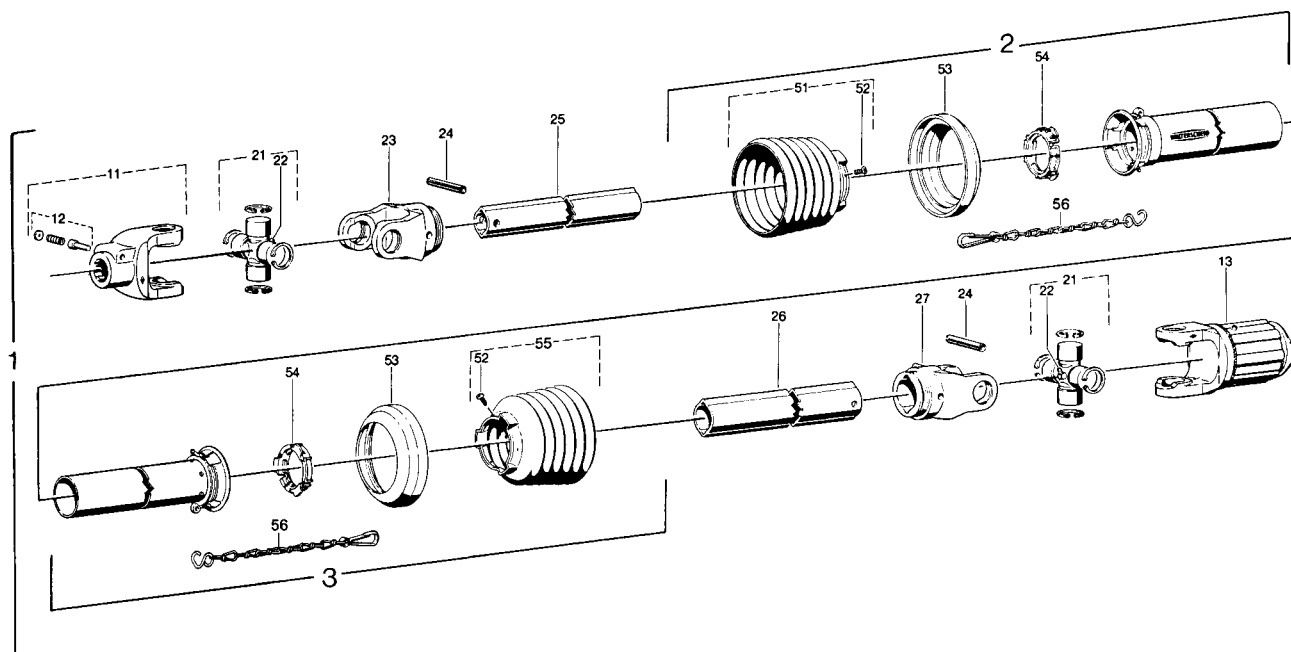
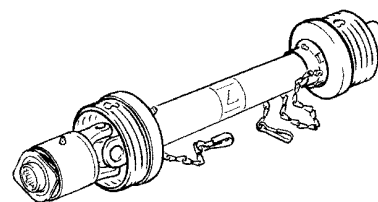
B039-05-01

REF.	ONDERDEELNR. PART NUMBER REFERENCE TEILNUMMER	AANTAL QUANTITY QUANTITE ANZAHL	
701	4.1025.0780.0	2	= REF. *+701
*	4.1025.0789.0	-	(d=Ø25, D=Ø50/60) [A+A][x]
702	4.1024.0771.0	2	= REF. *+702
*	4.1023.0386.0	-	(d=Ø25, D=Ø40/50) [A+A][x]
703	9.1150.0005.2	2	3/8" BSP SLW17
704	9.1137.0400.4	10	Ø17x24x1,5 []
705	9.1137.0605.6	7	3/8" - 1/4"
706	1.1645.2380.0	2	L= 2050 mm
707	4.1025.0779.0	1	L= 1060 mm
708	4.1025.0778.0	1	L= 700 mm
709	4.1016.2120.0	2	L= 3050 mm
710	1.1606.3779.0	1+1	
711	2.3201.2377.0	1+1	M8x8 DIN 916-45H (+Ø1,6)
712	9.1137.0302.4	2	1/2" G
713	9.1137.0303.5	2	1/2" PVC
715	9.1137.0401.5	4	Ø14x20x1,5 []
716	9.1137.0609.3	1	1/4" - 1/4"
717	9.1131.0006.1	1	1/4" DIN 908
718	9.1131.0010.5	1	3/8" DIN 908-5.8
719	9.1137.0603.4	2	1/2" - 1/4"
720	9.1137.0402.6	2	Ø22x29x1,5 []
721	9.1164.0020.3	6	7x400
722	4.1011.2047.0	6	
723	9.1070.0018*4	12	Ø6x40 DIN 1481
724	9.1088.0005*1	2	25-95
725	9.1123.0002*5	2	8x11

REF.	ONDERDEELNR. PART NUMBER REFERENCE TEILNUMMER	AANTAL QUANTITY QUANTITE ANZAHL	
798	1.1606.3770.0	2	= REF. 710-711

LELY

LOTUS	type nummer type number numéro de type Typnummer	vanaf serienummer as from serial number après numéro de serie ab Seriennummer
640 STABILO	4.1027.0000.1	973 - 0501
675 STABILO	4.1024.0000.1	952 - 0501
725 STABILO	4.1028.0000.1	981 - 0501
770 STABILO	4.1025.0000.1	954 - 0501



Bw005-04-01

REF.	ONDERDEELNR. PART NUMBER REFERENCE TEILNUMMER	AANTAL QUANTITY QUANTITE ANZAHL	
------	--	--	--

1	9.1154.0129.3	1	W2300-SD15-1210-K33B = REF. 2-56
2	85.105	1	SDH15-A1020 mm
3	85.104	1	SDH15-J1020 mm
11	21.10.00	1	1.3/8" (6)
12	33.91.07	1	AGRASET 101
13	55.202.03	1	1.3/8" (6) K33B M= 800 Nm
21	21.00.00	2	
22	63.27.00	2	M8x1
23	21.11.00	1	RG2300-Ov
24	61.05.04	2	Ø10x65 DIN 1481
25	75.11.16	1	Ov-1080 mm
26	75.15.16	1	1-1075 mm
27	21.12.00	1	RG2300-1
51	85.15.05	1	n= 5
52	60.15.00	2	4x10
53	82.85.00	2	
54	82.83.06	2	
55	85.15.07	1	n= 7
56	82.36.03	2	

REF.	ONDERDEELNR. PART NUMBER REFERENCE TEILNUMMER	AANTAL QUANTITY QUANTITE ANZAHL	
------	--	--	--