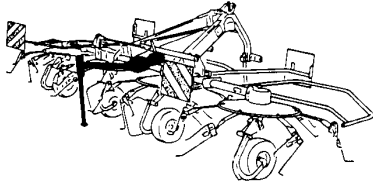


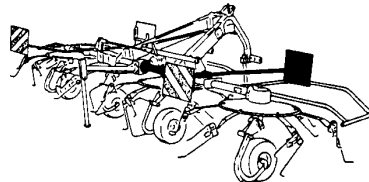
LELY

| LOTUS | type number type number numéro de type Typnummer | vanaf serienummer as from serial number après numéro de serie ab Seriennummer |
|-------------|---|--|
| 460 STABILO | 4.1036.0000.1 | 1013 - 0501 |
| | 4.1036.0001.1 | 1013 - 0501 |
| | 4.1036.0002.1 | 10201 - 0501 |
| 520 STABILO | 4.1035.0000.1 | 1012 - 0501 |
| | 4.1035.0001.1 | 1012 - 0501 |
| | 4.1035.0002.1 | 10112 - 0501 |

L5E**Inhoud
Contents
Index
Inhalt****LOTUS 460 - 520 STABILO****pagina
page
page
Seite**

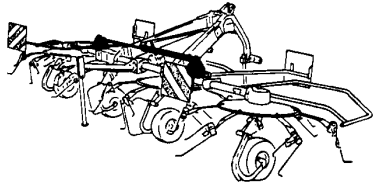
Centrale aandrijving
Central drive
Entraînement central
Zentralantrieb

01



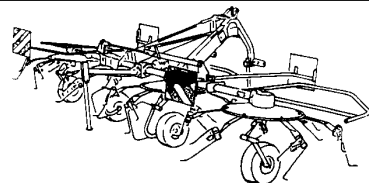
Middenfreem
Central frame
Châssis central
Zentralrahmen

02



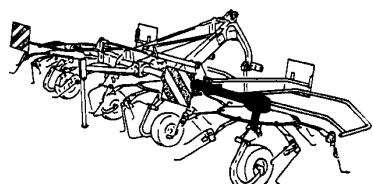
Hydraulische cilinder
Hydraulic ram
Vérin hydraulique
Hydraulikzylinder

03



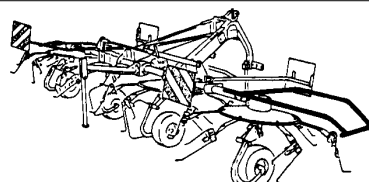
Binnenaandrijving
Inner drive
Entraînement intérieur
Innenantrieb

04



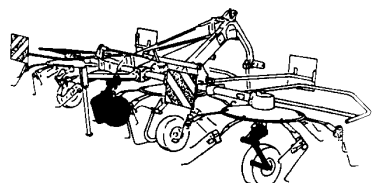
Buitenaandrijving
Outer drive
Entraînement extérieur
Aussenantrieb

05



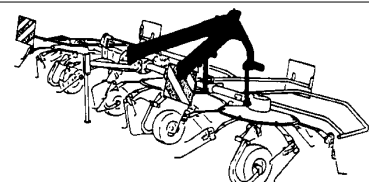
Beschermbeugels
Protection brackets
Arceaux projecteurs
Schutzbügel

06



Loopwielen
Support wheels
Roues de support
Stützräder

07



Naloopbok
Trail device
Dispositif pivotant
Nachlaufbok

08

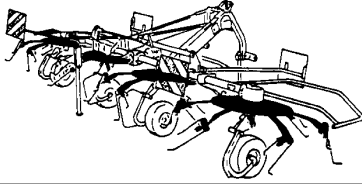
| LOTUS | type nummer type number numéro de type Typnummer | vanaf serienummer as from serial number après numéro de serie ab Seriennummer |
|-------------|---|--|
| 460 STABILO | 4.1036.0000.1 | 1013 - 0501 |
| | 4.1036.0001.1 | 1013 - 0501 |
| | 4.1036.0002.1 | 10201 - 0501 |
| 520 STABILO | 4.1035.0000.1 | 1012 - 0501 |
| | 4.1035.0001.1 | 1012 - 0501 |
| | 4.1035.0002.1 | 10112 - 0501 |

L5E

Inhoud
Contents
Index
Inhalt

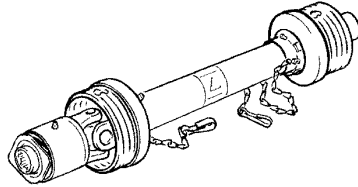
LOTUS 460 - 520 STABILO

pagina
page
page
Seite



Rotoren
Rotors
Rotors
Rotoren

09

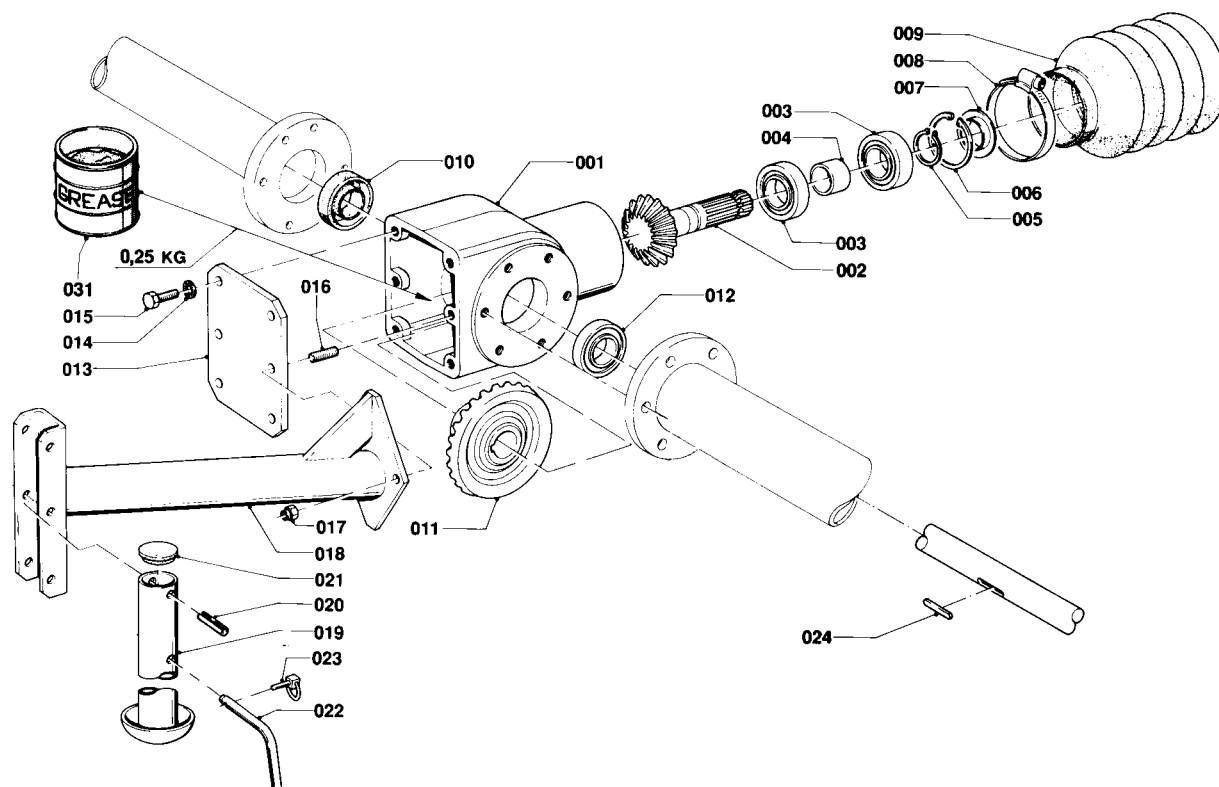
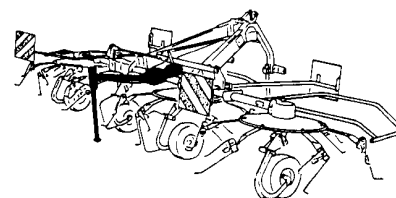


Koppelingsas
PTO shaft
Arbre de transmission
Gelenkwelle

10



| LOTUS | type nummer type number numéro de type Typnummer | vanaf serienummer as from serial number après numéro de serie ab Seriennummer |
|-------------|---|--|
| 460 STABILO | 4.1036.0000.1 4.1036.0001.1 | 1013 - 0501 1013 - 0501 |
| 520 STABILO | 4.1035.0000.1 4.1035.0001.1 | 1012 - 0501 1012 - 0501 |



B011-06-10

| REF. | ONDERDEELNR. PART NUMBER REFERENCE TEILNUMMER | AANTAL QUANTITY QUANTITE ANZAHL |
|------|--|--|
|------|--|--|

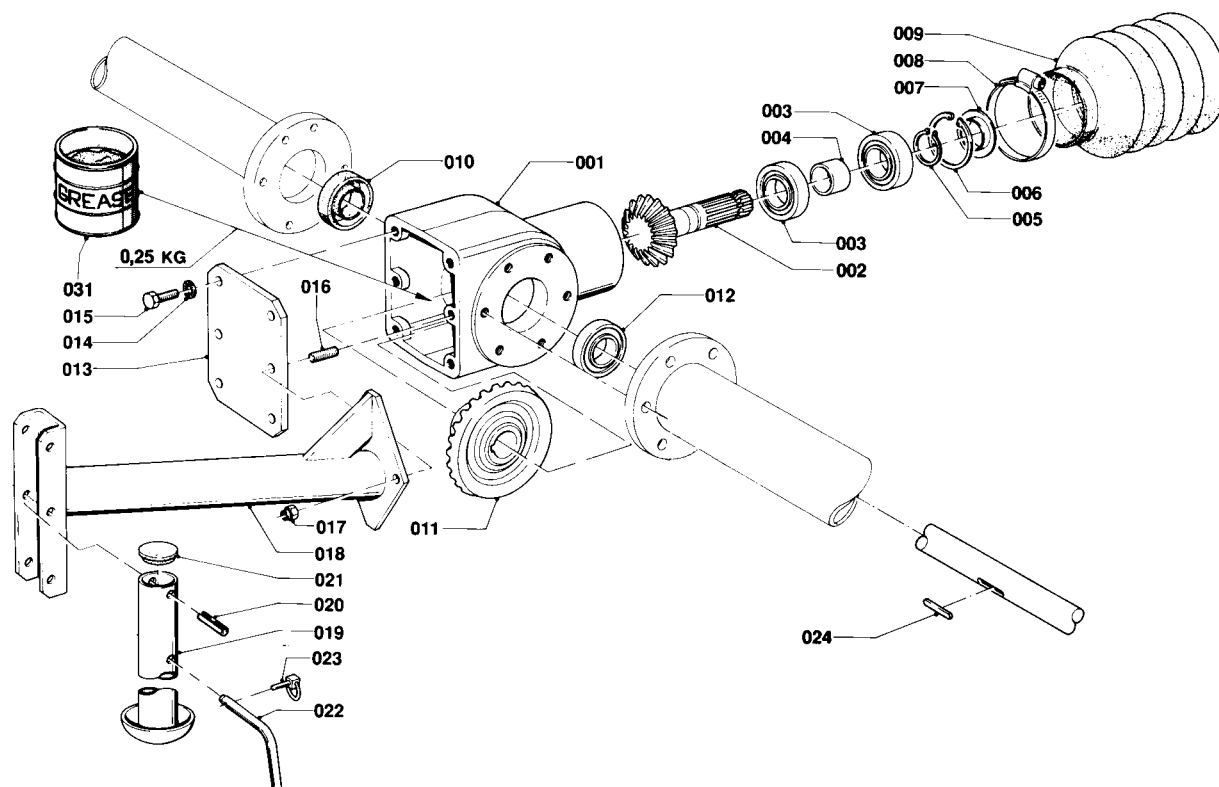
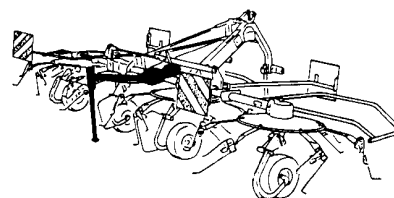
| | | |
|-----|---------------|---|
| 001 | 4.1033.0248.0 | 1 |
| 002 | 4.1017.0192.0 | 1 |
| 003 | 9.1001.0056.6 | 2 |
| 004 | 4.1013.1444.0 | 1 |
| 005 | 9.1119.0009.2 | 1 |
| 006 | 9.1120.0011.3 | 1 |
| 007 | 9.1106.0016.1 | 1 |
| 008 | 9.1066.0006*3 | 1 |
| 009 | 9.1161.0009.2 | 1 |
| 010 | 9.1042.0007.0 | 1 |
| 011 | 4.1019.0193.0 | 1 |
| 012 | 9.1001.0065.1 | 1 |
| 013 | 4.1017.0190.0 | 1 |
| 014 | 9.1051.0002*0 | 4 |
| 015 | 9.1113.0029*0 | 4 |
| 016 | 9.1081.0002.5 | 2 |
| 017 | 9.1030.0004*2 | 2 |
| 018 | 4.1017.0440.0 | 1 |
| 019 | 4.1016.0260.0 | 1 |
| 020 | 9.1070.0058*2 | 1 |
| 021 | 9.1108.0049.5 | 1 |
| 022 | 4.1016.0298.0 | 1 |
| 023 | 9.1123.0003*6 | 1 |
| 024 | 9.1071.0013.5 | 1 |

| REF. | ONDERDEELNR. PART NUMBER REFERENCE TEILNUMMER | AANTAL QUANTITY QUANTITE ANZAHL |
|------|--|--|
|------|--|--|

| | | | |
|-----|---------------|-----------|----------------------------|
| 031 | 9.1171.0039.1 | (0,25 kg) | 1 kg Calithia EP-T-0 SHELL |
| | 9.1171.0040.2 | (0,25 kg) | 5 kg Calithia EP-T-0 SHELL |

LELY

| LOTUS | type number type number numéro de type Typnummer | vanaf serienummer as from serial number après numéro de serie ab Seriennummer |
|-------------|---|--|
| 460 STABILO | 4.1036.0002.1 | 10201 - 0501 |
| 520 STABILO | 4.1035.0002.1 | 10112 - 0501 |



B011-06-10

| REF. | ONDERDEELNR. PART NUMBER REFERENCE TEILNUMMER | AANTAL QUANTITY QUANTITE ANZAHL |
|------|--|--|
|------|--|--|

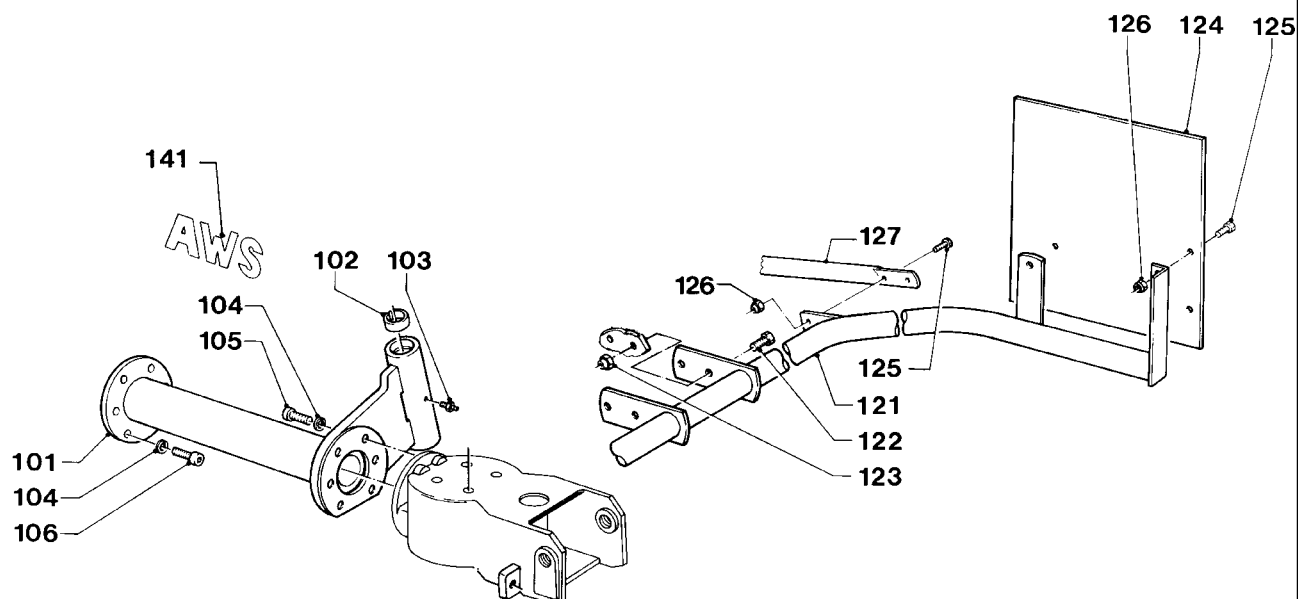
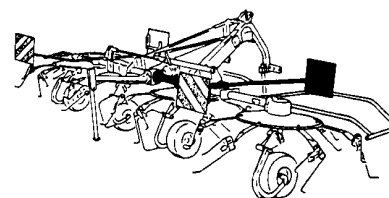
| | | |
|-----|---------------|---|
| 001 | 4.1033.0248.0 | 1 |
| 002 | 4.1017.0192.0 | 1 |
| 003 | 9.1001.0056.6 | 2 |
| 004 | 4.1013.1444.0 | 1 |
| 005 | 9.1119.0009.2 | 1 |
| 006 | 9.1120.0011.3 | 1 |
| 007 | 9.1106.0016.1 | 1 |
| 008 | 9.1066.0006*3 | 1 |
| 009 | 9.1161.0009.2 | 1 |
| 010 | 9.1042.0007.0 | 1 |
| 011 | 4.1019.0193.0 | 1 |
| 012 | 9.1001.0065.1 | 1 |
| 013 | 4.1017.0190.0 | 1 |
| 014 | 9.1051.0002*0 | 4 |
| 015 | 9.1113.0029*0 | 4 |
| 016 | 9.1081.0002.5 | 2 |
| 017 | 9.1030.0004*2 | 2 |
| 018 | 4.1017.0440.0 | 1 |
| 019 | 4.1016.0260.0 | 1 |
| 020 | 9.1070.0058.2 | 1 |
| 021 | 9.1108.0049.5 | 1 |
| 022 | 4.1016.0298.0 | 1 |
| 023 | 9.1123.0003*6 | 1 |
| 024 | 9.1071.0014.6 | 1 |

| REF. | ONDERDEELNR. PART NUMBER REFERENCE TEILNUMMER | AANTAL QUANTITY QUANTITE ANZAHL |
|------|--|--|
|------|--|--|

| | | | |
|-----|---------------|-----------|----------------------------|
| 031 | 9.1171.0039.1 | (0,25 kg) | 1 kg Calithia EP-T-0 SHELL |
| | 9.1171.0040.2 | (0,25 kg) | 5 kg Calithia EP-T-0 SHELL |



| LOTUS | type nummer type number numéro de type Typnummer | vanaf serienummer as from serial number après numéro de serie ab Seriennummer |
|-------------|---|--|
| 460 STABILO | 4.1036.0000.1 4.1036.0001.1 | 1013 - 0501 1013 - 0501 |
| 520 STABILO | 4.1035.0000.1 4.1035.0001.1 | 1012 - 0501 1012 - 0501 |



B063-02-10

| REF. | ONDERDEELNR. PART NUMBER REFERENCE TEILNUMMER | AANTAL QUANTITY QUANTITE ANZAHL | | |
|------|--|--|--|--|
|------|--|--|--|--|

| | | | | |
|-----|---------------|---|--------|-----------|
| 101 | 4.1036.0270.0 | 1 | [R] | LOTUS 460 |
| | 4.1035.0270.0 | 1 | [R] | LOTUS 520 |
| | 4.1036.0250.0 | 1 | [L][x] | LOTUS 460 |
| | 4.1035.0250.0 | 1 | [L][x] | LOTUS 520 |

| | | | | |
|-----|---------------|----|--|---------------------|
| 102 | 9.1077.0001.1 | 4 | | 35/43x20 DIN 1498 |
| 103 | 9.1068.0007*2 | 2 | | AM8x1,25 DIN 71412 |
| 104 | 9.1121.0012*3 | 24 | | A14 DIN 127 [—] |
| 105 | 9.1057.0055.5 | 12 | | M14x35 DIN 912-12.9 |
| 106 | 9.1057.0054.4 | 12 | | M14x30 DIN 912-12.9 |

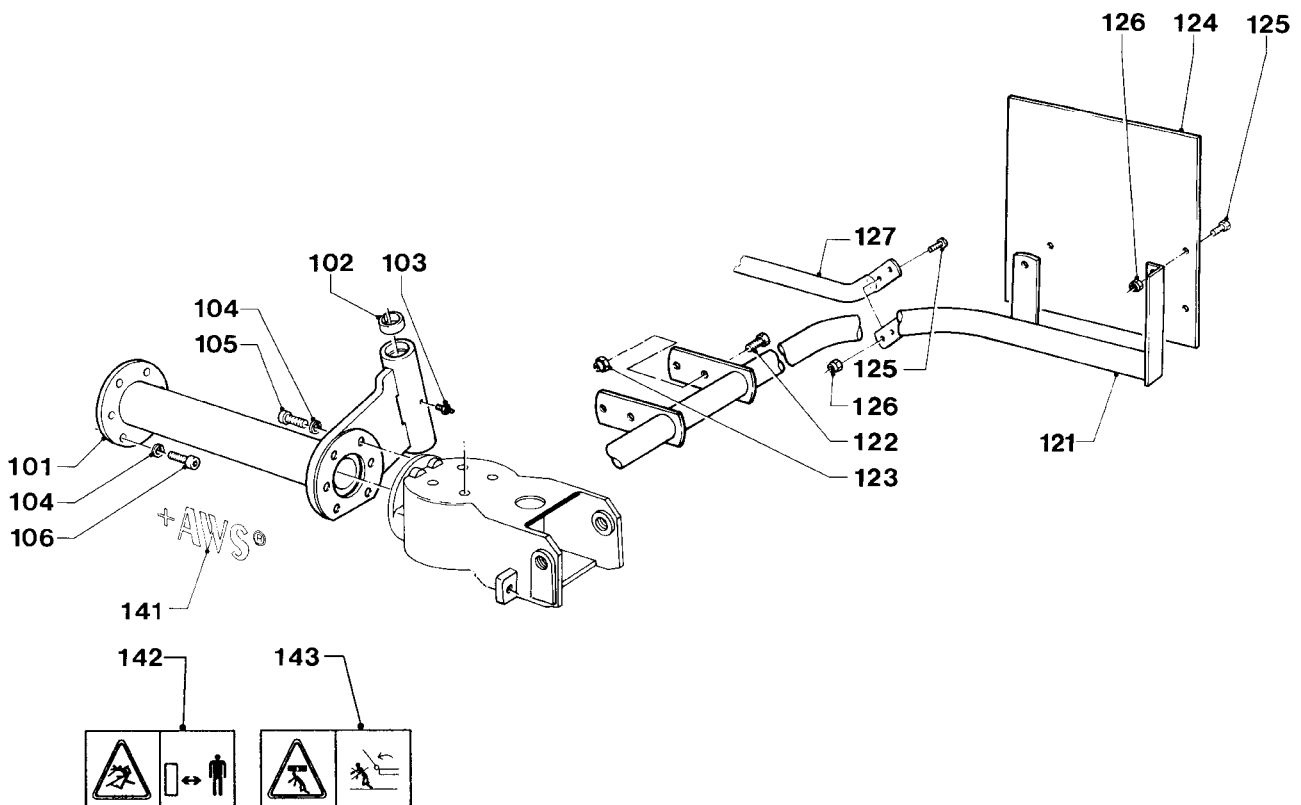
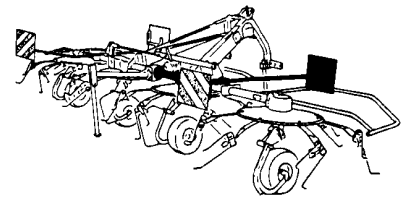
| | | | | |
|-----|---------------|----|--|--------------------|
| 121 | 4.1033.0801.0 | 2 | | LOTUS 460 |
| | 4.1034.0800.0 | 2 | | LOTUS 520 |
| 122 | 9.1113.0125*5 | 8 | | M12x35 DIN 933-8.8 |
| 123 | 9.1030.0013*4 | 8 | | M12 DIN 985-8 |
| 124 | 4.1033.1498.0 | 4 | | |
| 125 | 9.1113.0029*0 | 16 | | M10x25 DIN 933-8.8 |
| 126 | 9.1030.0004*2 | 16 | | M10 DIN 985-8 |
| 127 | 4.1036.1499.0 | 1 | | LOTUS 460 |
| | 4.1035.1499.0 | 1 | | LOTUS 520 |

| | | | | |
|-----|---------------|---|--|-------|
| 141 | 9.1170.0363.4 | 1 | | "AWS" |
|-----|---------------|---|--|-------|

| REF. | ONDERDEELNR. PART NUMBER REFERENCE TEILNUMMER | AANTAL QUANTITY QUANTITE ANZAHL | | |
|------|--|--|--|--|
|------|--|--|--|--|



| LOTUS | type number type number numéro de type Typnummer | vanaf serienummer as from serial number après numéro de serie ab Seriennummer |
|-------------|---|--|
| 460 STABILO | 4.1036.0002.1 | 10201 - 0501 |
| 520 STABILO | 4.1035.0002.1 | 10112 - 0501 |



B063-03-10

| REF. | ONDERDEELNR. PART NUMBER REFERENCE TEILNUMMER | AANTAL QUANTITY QUANTITE ANZAHL | | |
|------|--|--|--|--|
|------|--|--|--|--|

| | | | | |
|-----|---------------|---|--------|-----------|
| 101 | 4.1036.0270.0 | 1 | [R] | LOTUS 460 |
| | 4.1035.0270.0 | 1 | [R] | LOTUS 520 |
| | 4.1036.0250.0 | 1 | [L][x] | LOTUS 460 |
| | 4.1035.0250.0 | 1 | [L][x] | LOTUS 520 |

| | | | | |
|-----|---------------|----|--|---------------------|
| 102 | 9.1077.0001.1 | 4 | | 35/43x20 DIN 1498 |
| 103 | 9.1068.0007*2 | 2 | | AM8x1,25 |
| 104 | 9.1121.0012*3 | 24 | | A14 DIN 127 [—] |
| 105 | 9.1057.0055.5 | 12 | | M14x35 DIN 912-12.9 |
| 106 | 9.1057.0054.4 | 12 | | M14x30 DIN 912-12.9 |

| | | | | |
|-----|---------------|---|--------|-----------|
| 121 | 4.1033.0802.0 | 1 | [R] | LOTUS 460 |
| | 4.1034.0801.0 | 1 | [R] | LOTUS 520 |
| | 4.1033.0820.0 | 1 | [L][x] | LOTUS 460 |
| | 4.1034.0820.0 | 1 | [L][x] | LOTUS 520 |

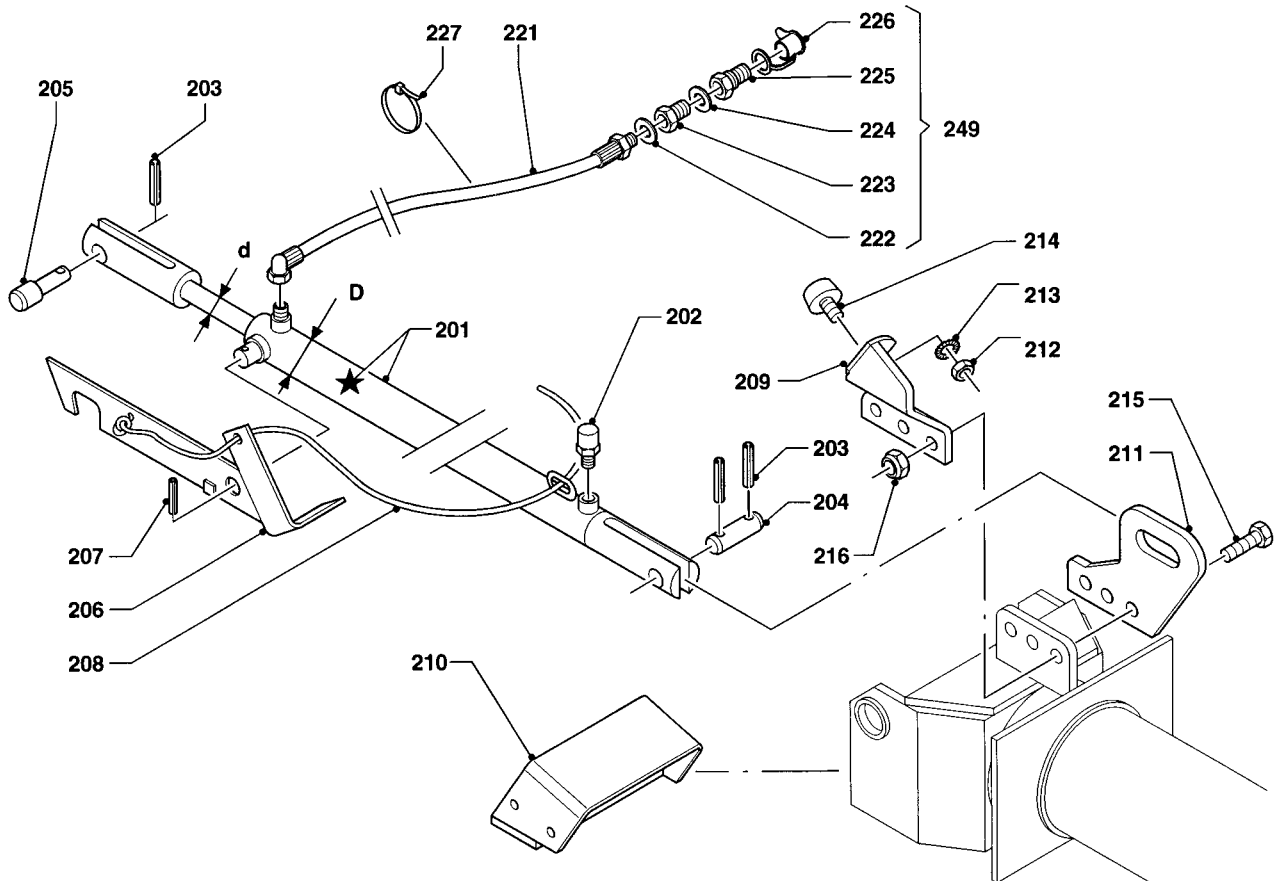
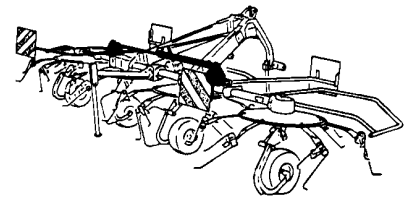
| | | | | |
|-----|---------------|----|--|--------------------|
| 122 | 9.1113.0125*5 | 8 | | M12x35 DIN 933-8.8 |
| 123 | 9.1030.0013*4 | 8 | | M12 DIN 985-8 |
| 124 | 4.1033.1498.0 | 4 | | |
| 125 | 9.1113.0029*0 | 16 | | M10x25 DIN 933-8.8 |
| 126 | 9.1030.0004*2 | 16 | | M10 DIN 985-8 |
| 127 | 4.1035.1497.0 | 1 | | |

| | | | | |
|-----|---------------|---|--|--------|
| 141 | 9.1170.0363.4 | 1 | | "+AWS" |
| 142 | 9.1170.0410.2 | 1 | | |
| 143 | 9.1170.0420.5 | 1 | | |

| REF. | ONDERDEELNR. PART NUMBER REFERENCE TEILNUMMER | AANTAL QUANTITY QUANTITE ANZAHL | | |
|------|--|--|--|--|
|------|--|--|--|--|



| LOTUS | type nummer type number numéro de type Typnummer | vanaf serienummer as from serial number après numéro de serie ab Seriennummer |
|-------------|---|--|
| 460 STABILO | 4.1036.0000.1 | 1013 - 0501 |
| | 4.1036.0001.1 | 1013 - 0501 |
| | 4.1036.0002.1 | 10201 - 0501 |
| 520 STABILO | 4.1035.0000.1 | 1012 - 0501 |
| | 4.1035.0001.1 | 1012 - 0501 |
| | 4.1035.0002.1 | 10112 - 0501 |



B074-02-00

| REF. | ONDERDEELNR. PART NUMBER REFERENCE TEILNUMMER | AANTAL QUANTITY QUANTITE ANZAHL |
|------|--|--|
|------|--|--|

LOTUS 460

| | | |
|-----|---------------|----------------------------------|
| 201 | 4.1036.0750.0 | 1 (201= 201+ ★ +202) |
| ★ | 4.1016.0518.0 | (1) (d= Ø25, D= Ø40/50) [A+A][x] |
| 202 | 9.1150.0005.2 | (1) 3/8" |

LOTUS 520

| | | |
|-----|---------------|----------------------------------|
| 201 | 4.1021.0340.0 | 1 (201= 201+ ★ +202) |
| ★ | 4.1016.0518.0 | (1) (d= Ø25, D= Ø40/50) [A+A][x] |
| 202 | 9.1150.0005.2 | (1) 3/8" |

| | | |
|-----|---------------|-----------------------------|
| 203 | 9.1070.0018.4 | 3 Ø6x40 DIN 1481 |
| 204 | 4.1011.2047.0 | 1 |
| 205 | 4.1017.1498.0 | 1 |
| 206 | 4.1021.0360.0 | 1 |
| 207 | 9.1070.0023.2 | 1 Ø8x50 DIN 1481 |
| 208 | 4.1201.1462.0 | 1 Ø6x4m (1m= 9.1163.0004.2) |
| 209 | 4.1035.0370.0 | 2 |
| 210 | 4.1035.0380.0 | 2 |
| 211 | 4.1036.1497.0 | 2 LOTUS 460 |
| | 4.1035.1498.0 | 2 LOTUS 520 |
| 212 | 9.1029.0005*4 | 2 M10 DIN 934-8 |
| 213 | 9.1051.0002*0 | 2 A10,5 DIN 6798 [////] |
| 214 | 9.1105.0011.4 | 2 M10x28 |
| 215 | 9.1113.0070*6 | 6 M14x50 DIN 931-8.8 |
| 216 | 9.1030.0015*6 | 6 M14 DIN 985-8 |

| REF. | ONDERDEELNR. PART NUMBER REFERENCE TEILNUMMER | AANTAL QUANTITY QUANTITE ANZAHL |
|------|--|--|
|------|--|--|

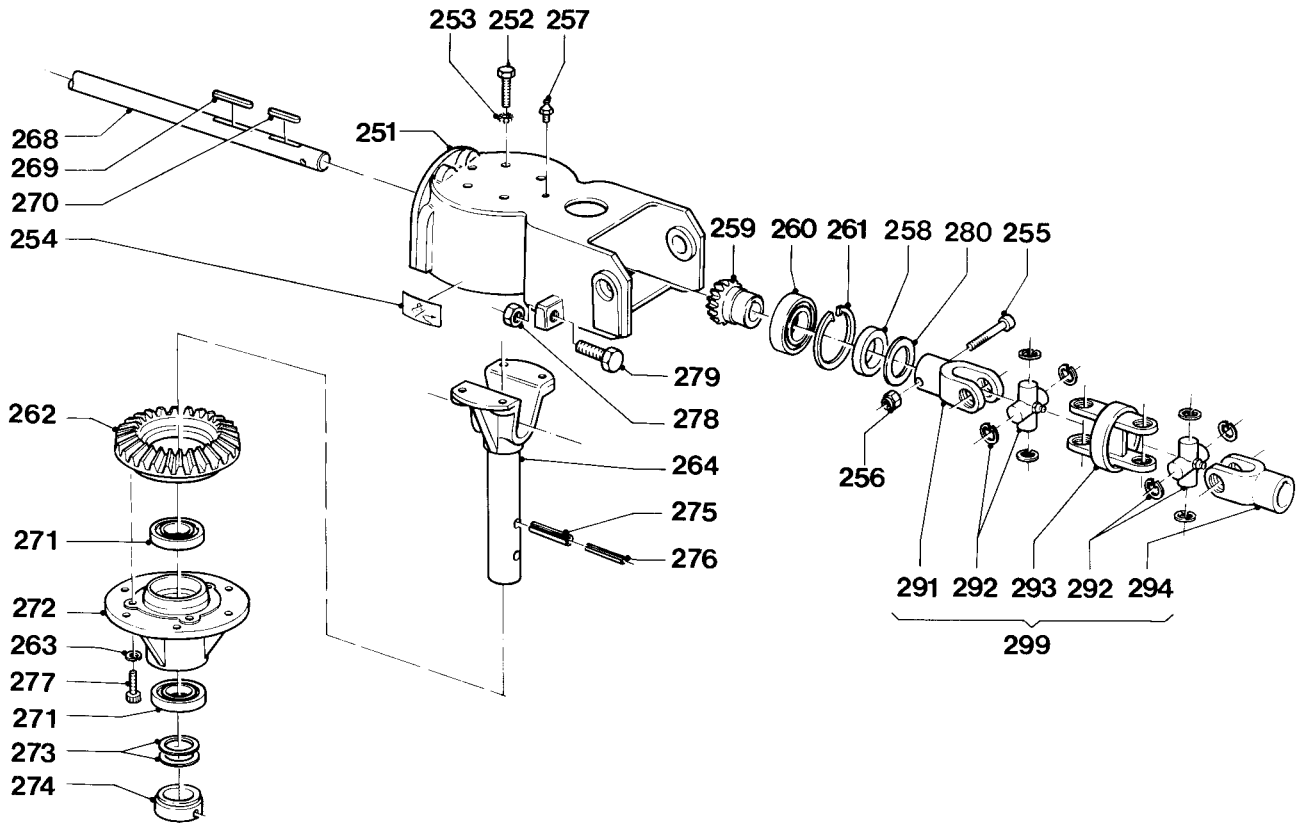
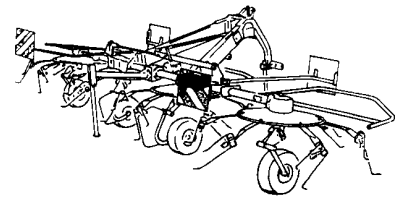
| | | |
|-----|---------------|---------------------|
| 221 | 4.1016.2120.0 | 1 L= 3050 mm |
| 222 | 9.1137.0401.5 | 1 Ø14x20x1,5 Cu [—] |
| 223 | 9.1137.0603.4 | 1 1/2" - 1/4" |
| 224 | 9.1137.0402.6 | 1 Ø22x29x1,5 Cu [—] |

| | | |
|-----|---------------|------------|
| 225 | 9.1137.0302.4 | 1 1/2" G |
| 226 | 9.1137.0303.5 | 1 1/2" PVC |
| 227 | 9.1164.0020.3 | 4 400x7 |

| | | |
|-----|---------------|------------------|
| 249 | 2.3201.2312.8 | 1 = REF. 222-226 |
|-----|---------------|------------------|



| LOTUS | type nummer type number numéro de type Typnummer | vanaf serienummer as from serial number après numéro de serie ab Seriennummer |
|-------------|---|--|
| 460 STABILO | 4.1036.0000.1 | 1013 - 0501 |
| | 4.1036.0001.1 | 1013 - 0501 |
| | 4.1036.0002.1 | 10201 - 0501 |
| 520 STABILO | 4.1035.0000.1 | 1012 - 0501 |
| | 4.1035.0001.1 | 1012 - 0501 |
| | 4.1035.0002.1 | 10112 - 0501 |



B072-02-01

| REF. | ONDERDEELNR. PART NUMBER REFERENCE TEILNUMMER | AANTAL QUANTITY QUANTITE ANZAHL |
|------|--|--|
|------|--|--|

| | | |
|-----|---------------|---|
| 251 | 4.1033.0244.0 | 2 |
| 252 | 9.1113.0118*5 | 8 |
| 253 | 9.1051.0003*1 | 8 |
| 254 | 9.1170.0017.1 | 1 |
| | 9.1170.0089.3 | 1 |
| 255 | 9.1057.0026.4 | 2 |
| 256 | 9.1030.0004*2 | 2 |
| 257 | 9.1068.0007*2 | 2 |
| 258 | 4.1019.0194.0 | 2 |
| 259 | 4.1019.0197.0 | 2 |
| 260 | 9.1001.0078.0 | 2 |
| 261 | 9.1120.0026.4 | 2 |
| 262 | 4.1017.0182.0 | 2 |
| 263 | 9.1121.0004*2 | 6 |
| 264 | 4.1033.0245.0 | 2 |
| 268 | 4.1017.0174.0 | 1 |
| | 4.1021.0148.0 | 1 |
| 269 | 9.1071.0014.6 | 2 |
| 270 | 9.1071.0009.1 | 2 |
| 271 | 9.1001.0098.6 | 4 |
| 272 | 4.1024.0193.0 | 2 |
| 273 | 4.1019.0188.0 | ~ |
| 274 | 4.1019.0189.0 | 2 |
| 275 | 9.1070.0057*1 | 2 |
| 276 | 9.1070.0056*0 | 2 |

| REF. | ONDERDEELNR. PART NUMBER REFERENCE TEILNUMMER | AANTAL QUANTITY QUANTITE ANZAHL |
|------|--|--|
|------|--|--|

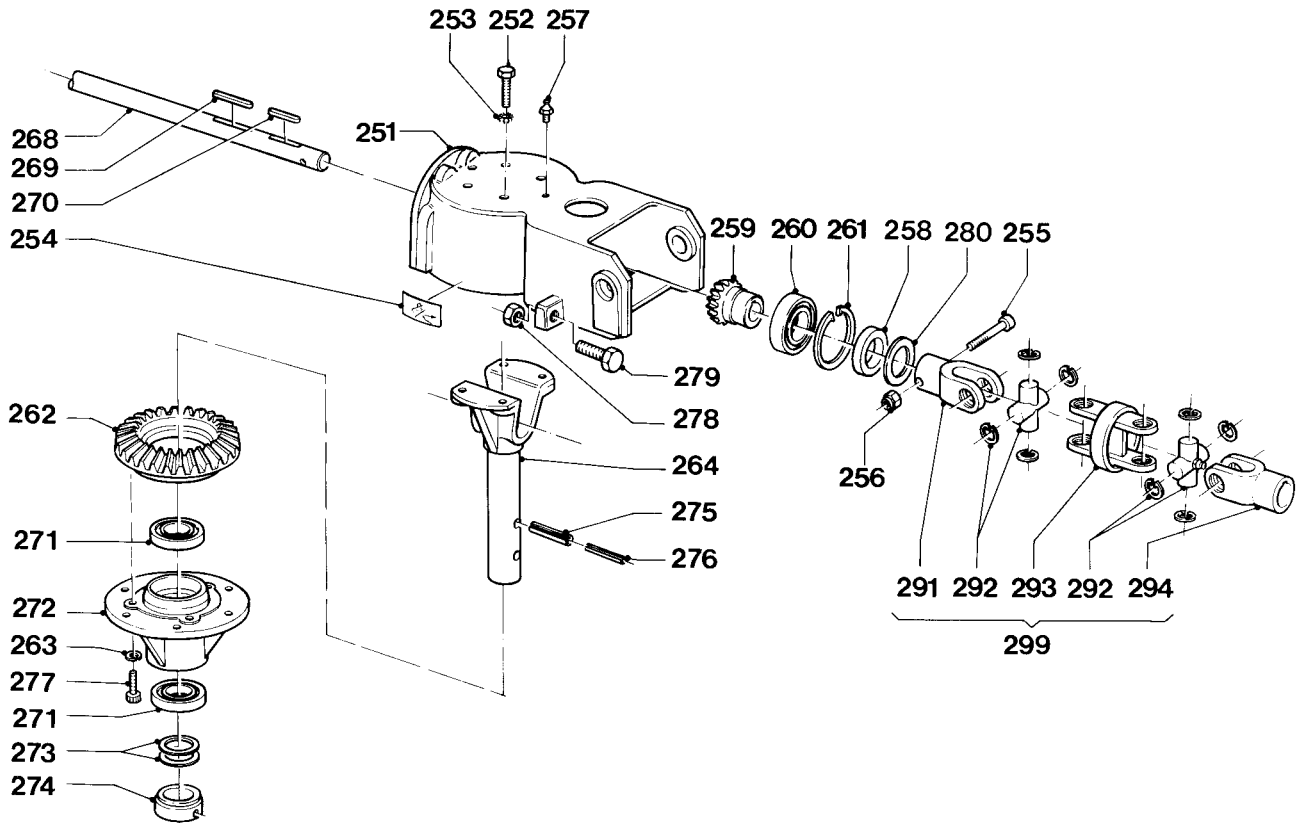
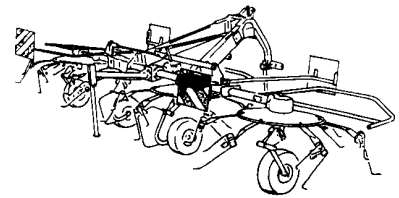
| | | |
|-----|---------------|-----|
| 277 | 9.1057.0064.0 | 6 |
| 278 | 9.1029.0012*4 | 4 |
| 279 | 9.1113.0069*5 | 4 |
| 280 | 9.1093.0002.0 | ~ |
| 291 | 4.1017.0077.0 | 1+1 |
| 292 | 9.1160.0003.4 | 2+2 |
| 293 | 4.1016.0078.0 | 1+1 |
| 294 | 4.1017.0079.0 | 1+1 |
| 299 | 4.1033.0290.0 | 2 |

Cpl.

= REF. 291-294



| LOTUS | type nummer type number numéro de type Typnummer | vanaf serienummer as from serial number après numéro de série ab Seriennummer |
|-------------|---|--|
| 520 STABILO | 4.1035.0002.1 | 10212 - 0681 |



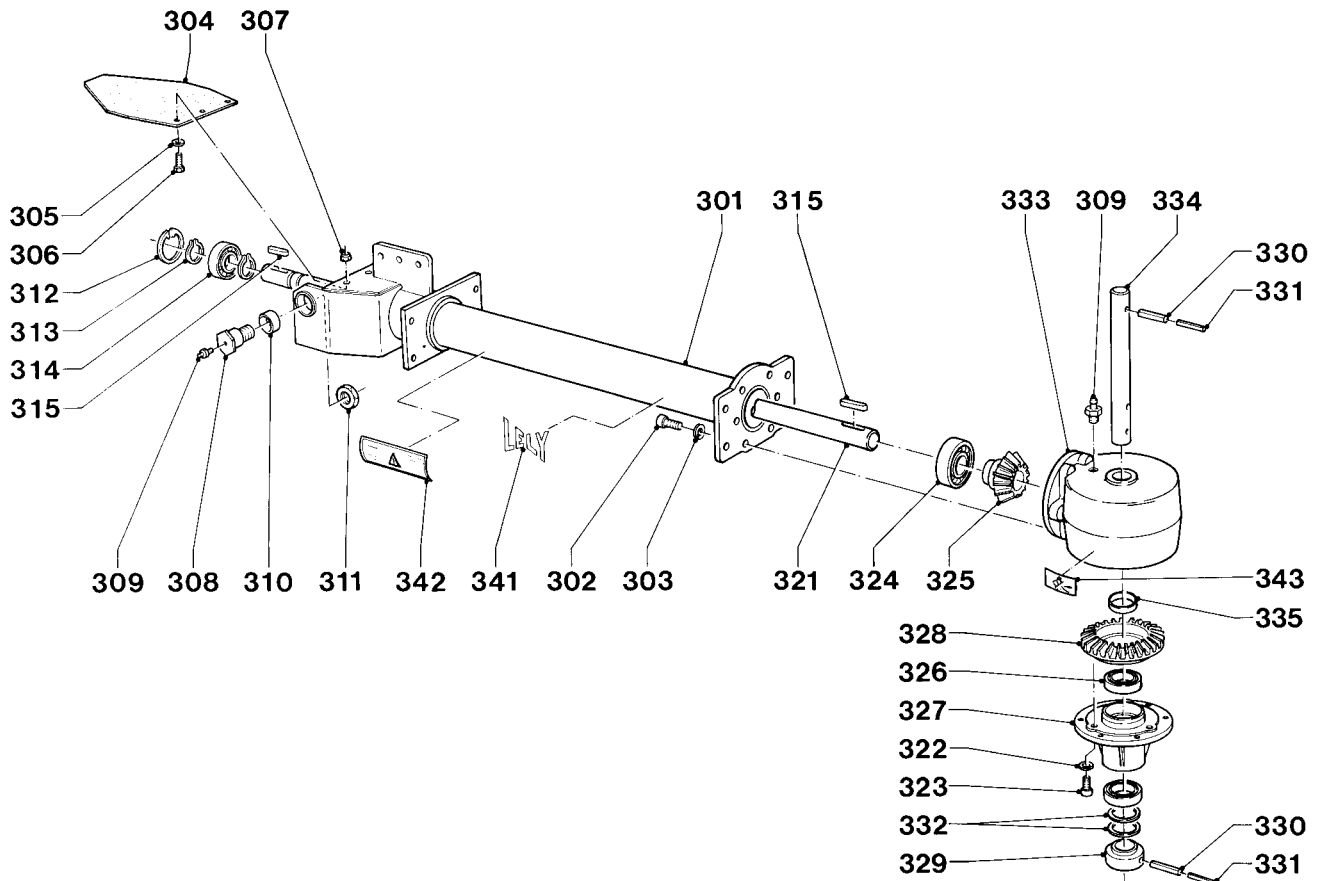
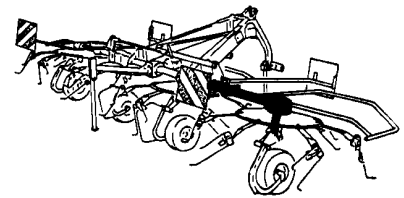
B072-02-02

| REF. | ONDERDEELNR. PART NUMBER REFERENCE TEILNUMMER | AANTAL QUANTITY QUANTITE ANZAHL | |
|------|--|--|-----------------------|
| 251 | 4.1033.0244.0 | 2 | |
| 252 | 9.1113.0155*0 | 8 | M12x40 DIN 933-10.9 |
| 253 | 9.1051.0003*1 | 8 | A12,5 DIN 6798 [////] |
| 254 | 9.1170.0017.1 | 1 | [RD] Geel-Yellow |
| | 9.1170.0089.3 | 1 | [LD][x] Blauw-Blue |
| 255 | 9.1057.0026.4 | 2 | M10x60 DIN 912-12.9 |
| 256 | 9.1030.0004*2 | 2 | M10 DIN 985-8 |
| 257 | 9.1068.0007*2 | 2 | AM8x1,25 |
| 258 | 4.1019.0194.0 | 2 | |
| 259 | 4.1019.0197.0 | 2 | |
| 260 | 9.1001.0078.0 | 2 | 6009 2Z |
| 261 | 9.1120.0026.4 | 2 | 75x3,00 DIN 472 |
| 262 | 4.1017.0182.0 | 2 | |
| 263 | 9.1121.0004*2 | 6 | A10 DIN 127 [—/—] |
| 264 | 4.1033.0245.0 | 2 | |
| 268 | 4.1017.0174.0 | (1) | LOTUS 460 |
| | 4.1021.0148.0 | 1 | LOTUS 520 |
| 269 | 9.1071.0014.6 | 2 | A8x7x50 DIN 6885 |
| 270 | 9.1071.0009.1 | 2 | A8x7x32 DIN 6885 |
| 271 | 9.1001.0098.6 | 4 | 6007 2Z |
| 272 | 4.1024.0193.0 | 2 | |
| 273 | 4.1019.0188.0 | (2) | [D+D] |
| 274 | 4.1019.0189.0 | 2 | |
| 275 | 9.1070.0057.1 | 2 | Ø10x55 DIN 1481 |
| 276 | 9.1070.0056.0 | 2 | Ø6x55 DIN 1481 |

| REF. | ONDERDEELNR. PART NUMBER REFERENCE TEILNUMMER | AANTAL QUANTITY QUANTITE ANZAHL | |
|------|--|--|-----------------------|
| 277 | 9.1057.0018.3 | 6 | M10x30 DIN 912-12.9 |
| 278 | 9.1029.0012*4 | 4 | M14 DIN 934-8 |
| 279 | 9.1113.0279*5 | 4 | M14x45 DIN 933-10.9 |
| 280 | 9.1093.0002.0 | ~ | 30x42x1,0 DIN 988 [—] |
| 291 | 4.1017.0077.0 | 1+1 | |
| 292 | 9.1160.0003.4 | 2+2 | Cpl. |
| 293 | 4.1016.0078.0 | 1+1 | |
| 294 | 4.1017.0079.0 | 1+1 | |
| 299 | 4.1024.0195.0 | 2 | = REF. 291-294 |



| LOTUS | type number type number numéro de type Typnummer | vanaf serienummer as from serial number après numéro de serie ab Seriennummer |
|-------------|---|--|
| 460 STABILO | 4.1036.0000.1 4.1036.0001.1 | 1013 - 0501 1013 - 0501 |
| 520 STABILO | 4.1035.0000.1 4.1035.0001.1 | 1012 - 0501 1012 - 0501 |



B065-02-00

| REF. | ONDERDEELNR. PART NUMBER REFERENCE TEILNUMMER | AANTAL QUANTITY QUANTITE ANZAHL | |
|------|--|--|--|
|------|--|--|--|

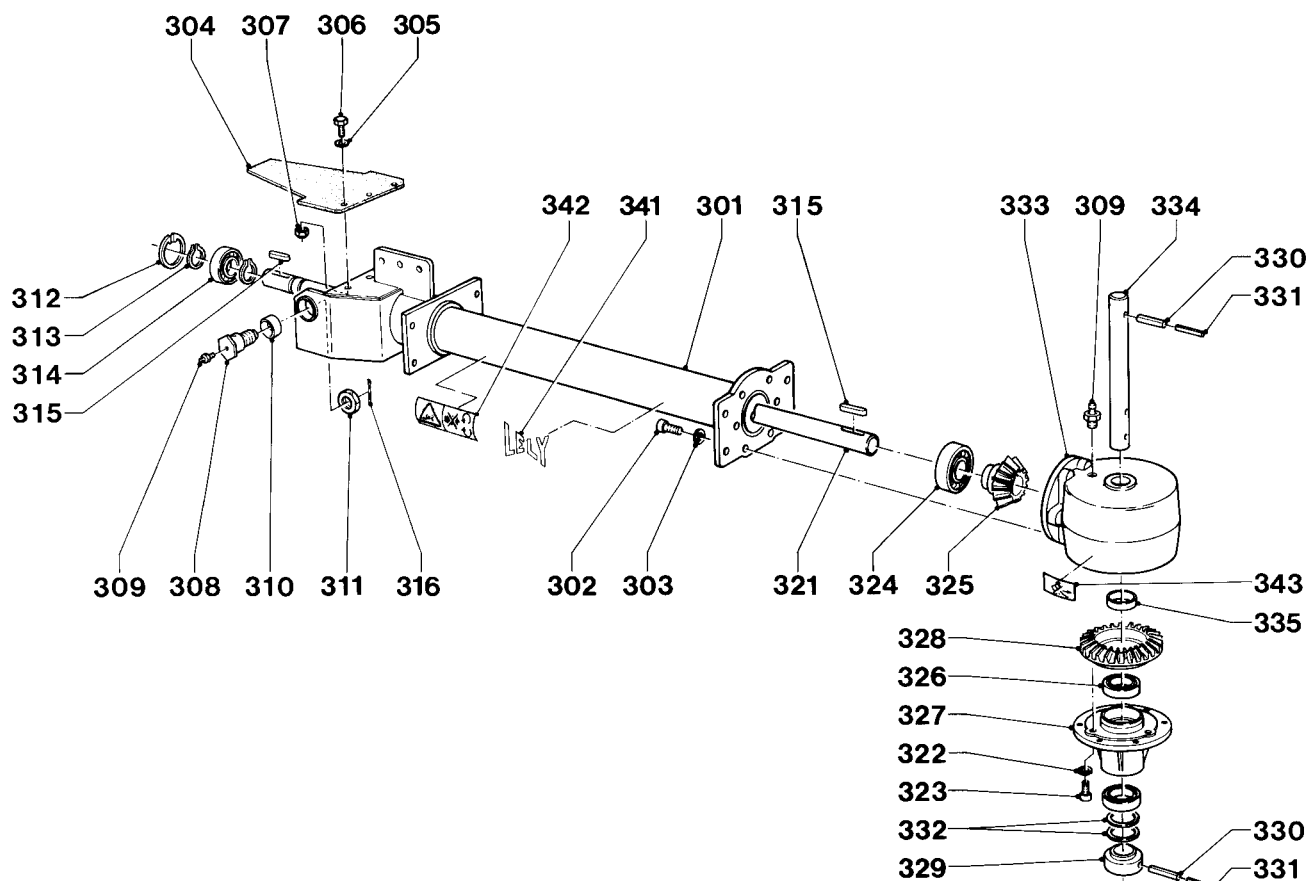
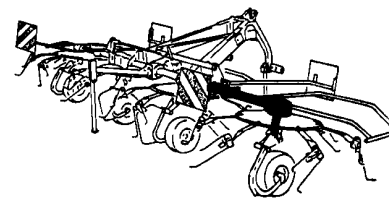
| | | | |
|-----|--------------------------------|--------|------------------------|
| 301 | 4.1033.0401.0 4.1034.0400.0 | 2 2 | LOTUS 460 LOTUS 520 |
| 302 | 9.1057.0023.1 | 12 | M12x30 DIN 912-12.9 |
| 303 | 9.1121.0011*2 | 12 | A12 DIN 127 [—/—] |
| 304 | 4.1033.0346.0 | 2 | |
| 305 | 9.1048.0005*6 | 6 | A8,4 DIN 9021 [—/—] |
| 306 | 9.1113.0128*1 | 6 | M8x25 DIN 933-8.8 |
| 307 | 9.1030.0012*3 | 6 | M8 DIN 985-8 |
| 308 | 4.1033.0247.0 | 4 | |
| 309 | 9.1068.0007*2 | 6 | AM8x1,25 DIN 71412 |
| 310 | 9.1077.0003.3 | 4 | 30/38x18 DIN 1498 |
| 311 | 9.1034.0005.6 | 4 | M24x1,5 DIN 439 |
| 312 | 9.1120.0005.4 | 2 | 62x2,00 DIN 472 |
| 313 | 9.1119.0017.3 | 4 | 30x2,00 DIN 471 |
| 314 | 9.1001.0037.1 | 2 | 6206 2Z |
| 315 | 9.1071.0012.4 | 4 | A8x7x45 DIN 6885 |
| 321 | 4.1033.0345.0 4.1034.0349.0 | 2 2 | LOTUS 460 LOTUS 520 |
| 322 | 9.1121.0004*2 | 6 | A10 DIN 127 [—/—] |
| 323 | 9.1057.0064.0 | 6 | M10x30 DIN 912-12.9 |
| 324 | 9.1001.0078.0 | 2 | 6009 2Z |
| 325 | 4.1019.0197.0 | 2 | |
| 326 | 9.1001.0098.6 | 4 | 6007 2Z |
| 327 | 4.1024.0193.0 | 2 | |
| 328 | 4.1017.0182.0 | 2 | |
| 329 | 4.1019.0189.0 | 2 | |

| REF. | ONDERDEELNR. PART NUMBER REFERENCE TEILNUMMER | AANTAL QUANTITY QUANTITE ANZAHL | |
|------|--|--|--|
|------|--|--|--|

| | | | |
|-----|--------------------------------|--------|--|
| 330 | 9.1070.0057*1 | 4 | Ø10x55 DIN 1481 |
| 331 | 9.1070.0056*0 | 4 | Ø6x55 DIN 1481 |
| 332 | 4.1019.0188.0 | ~ | [D+D] |
| 333 | 4.1033.0349.0 | 2 | |
| 334 | 4.1019.0392.0 | 2 | |
| 335 | 4.1033.0347.0 | 2 | |
| 341 | 9.1170.0200.2 | 2 | "LELY" |
| 342 | 9.1170.0052.1 | 2 | "LET OP DRAAIENDE DELEN" |
| 343 | 9.1170.0089.3 9.1170.0017.1 | 1 1 | [LD] Blauw-Blue [RD][x] Geel-Yellow |

LELY

| LOTUS | type number type number numéro de type Typnummer | vanaf serienummer as from serial number après numéro de serie ab Seriennummer |
|-------------|---|--|
| 460 STABILO | 4.1036.0002.1 | 10201 - 0501 |
| 520 STABILO | 4.1035.0002.1 | 10112 - 0501 |



B065-03-01

| REF. | ONDERDEELNR. PART NUMBER REFERENCE TEILNUMMER | AANTAL QUANTITY QUANTITE ANZAHL | |
|------|--|--|--|
|------|--|--|--|

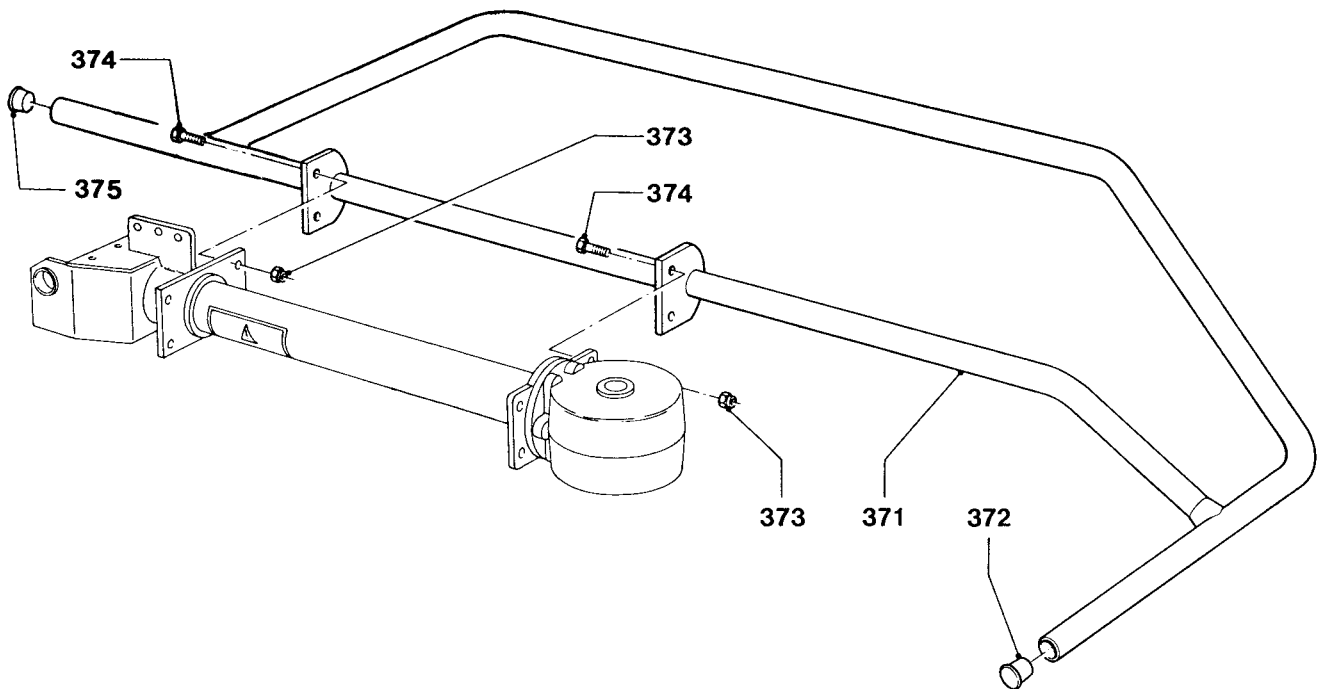
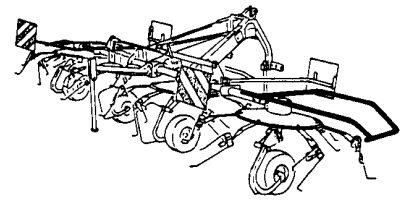
| | | | |
|-----|---------------|----|---------------------|
| 301 | 4.1033.0401.0 | 2 | LOTUS 460 |
| | 4.1034.0400.0 | 2 | LOTUS 520 |
| 302 | 9.1057.0023.1 | 12 | M12x30 DIN 912-12.9 |
| 303 | 9.1121.0011*2 | 12 | A12 DIN 127 [—/—] |
| 304 | 4.1033.0346.0 | 2 | |
| 305 | 9.1048.0005*6 | 6 | A8,4 DIN 9021 [—/—] |
| 306 | 9.1113.0128*1 | 6 | M8x25 DIN 933-8.8 |
| 307 | 9.1030.0012*3 | 6 | M8 DIN 985-8 |
| 308 | 4.1033.0243.0 | 4 | |
| 309 | 9.1068.0007*2 | 6 | AM8x1,25 |
| 310 | 9.1077.0003.3 | 4 | 30/38x18 DIN 1498 |
| 311 | 9.1034.0005.6 | 4 | M24x1,5 DIN 439 |
| 312 | 9.1120.0005.4 | 2 | 62x2,00 DIN 472 |
| 313 | 9.1119.0017.3 | 4 | 30x2,00 DIN 471 |
| 314 | 9.1001.0134.0 | 2 | 6206 2RS1-C4 |
| 315 | 9.1071.0012.4 | 4 | A8x7x45 DIN 6885 |
| 316 | 9.1072.0007*5 | 4 | 5x45 DIN 94 |

| REF. | ONDERDEELNR. PART NUMBER REFERENCE TEILNUMMER | AANTAL QUANTITY QUANTITE ANZAHL | |
|------|--|--|--|
|------|--|--|--|

| | | | |
|-----|---------------|-----|---------------------|
| 321 | 4.1033.0345.0 | 2 | LOTUS 460 |
| | 4.1034.0349.0 | 2 | LOTUS 520 |
| 322 | 9.1121.0004*2 | 6 | A10 DIN 127 [—/—] |
| 323 | 9.1057.0018.3 | 6 | M10x30 DIN 912-12.9 |
| 324 | 9.1001.0088.3 | 2 | 6009 2Z-C4 |
| 325 | 4.1019.0197.0 | 2 | |
| 326 | 9.1001.0098.6 | 4 | 6007 2Z |
| 327 | 4.1024.0193.0 | 2 | |
| 328 | 4.1017.0182.0 | 2 | |
| 329 | 4.1019.0189.0 | 2 | |
| 330 | 9.1070.0057.1 | 4 | Ø10x55 DIN 1481 |
| 331 | 9.1070.0056.0 | 4 | Ø6x55 DIN 1481 |
| 332 | 4.1019.0188.0 | (2) | [D+D] |
| 333 | 4.1033.0349.0 | 2 | |
| 334 | 4.1019.0392.0 | 2 | |
| 335 | 4.1033.0347.0 | 2 | |
| 341 | 9.1170.0200.2 | 2 | |
| 342 | 9.1170.0407.6 | 2 | |
| 343 | 9.1170.0089.3 | 1 | [LD] Blauw-Blue |
| | 9.1170.0017.1 | 1 | [RD][x] Geel-Yellow |



| LOTUS | type number type number numéro de type Typnummer | vanaf serienummer as from serial number après numéro de serie ab Seriennummer |
|-------------|---|--|
| 460 STABILO | 4.1036.0000.1 4.1036.0001.1 | 1013 - 0501 1013 - 0501 |
| 520 STABILO | 4.1035.0000.1 4.1035.0001.1 | 1012 - 0501 1012 - 0501 |



B066-02-10

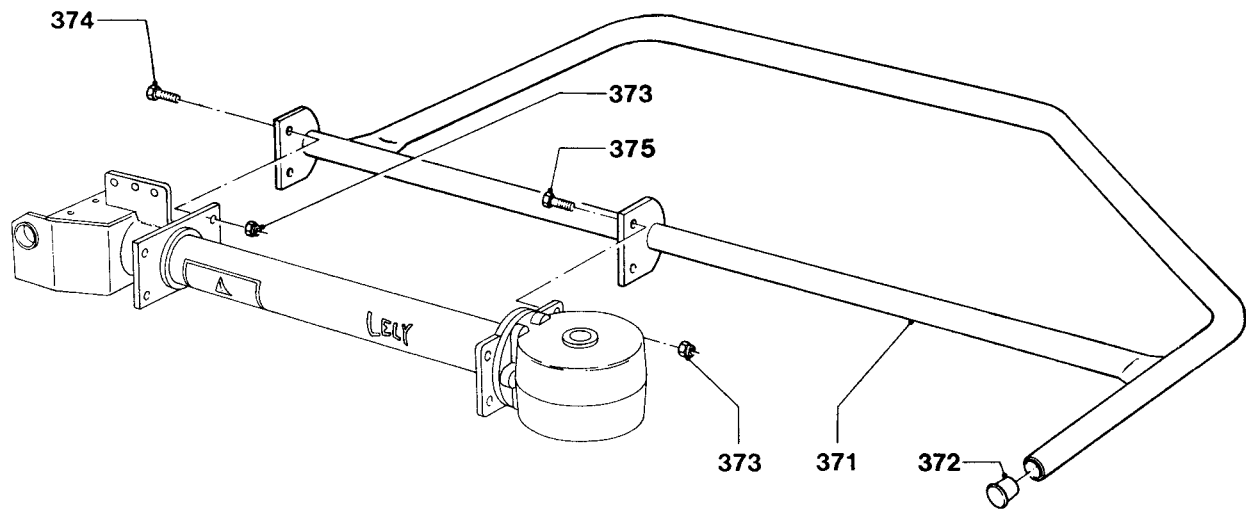
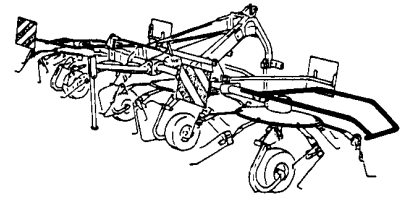
| REF. | ONDERDEELNR. PART NUMBER REFERENCE TEILNUMMER | AANTAL QUANTITY QUANTITE ANZAHL | |
|------|--|--|--|
|------|--|--|--|

| | | | |
|-----|--------------------------------|--------|--------------------|
| 371 | 4.1035.0860.0 4.1035.0870.0 | 1 1 | [R] [L][x] |
| 372 | 9.1108.0085.6 | 2 | Ø32 |
| 373 | 9.1030.0013*4 | 8 | M12 DIN 985-8 |
| 374 | 9.1113.0125*5 | 8 | M12x35 DIN 933-8.8 |
| 375 | 9.1108.0061.3 | 2 | Ø36,5 |

| REF. | ONDERDEELNR. PART NUMBER REFERENCE TEILNUMMER | AANTAL QUANTITY QUANTITE ANZAHL | |
|------|--|--|--|
|------|--|--|--|



| LOTUS | type number type number numéro de type Typnummer | vanaf serienummer as from serial number après numéro de serie ab Seriennummer |
|-------------|---|--|
| 460 STABILO | 4.1036.0002.1 | 10201 - 0501 |
| 520 STABILO | 4.1035.0002.1 | 10112 - 0501 |



B066-03-10

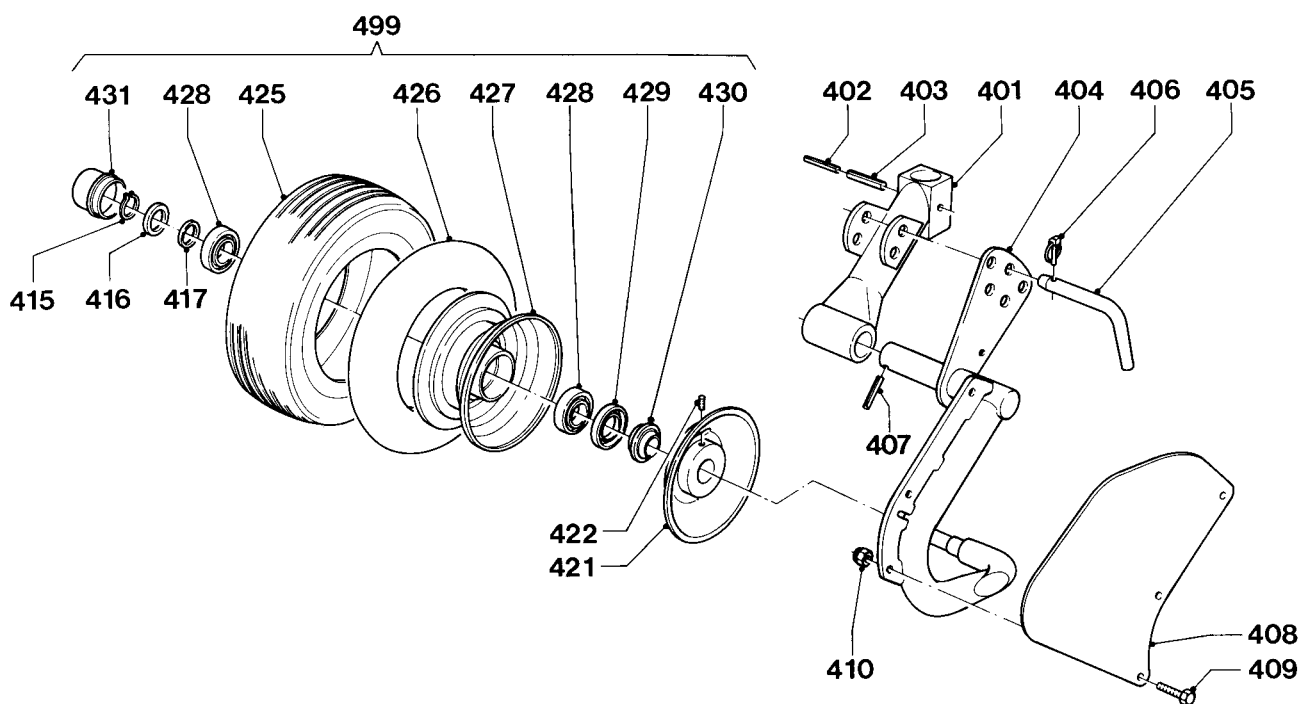
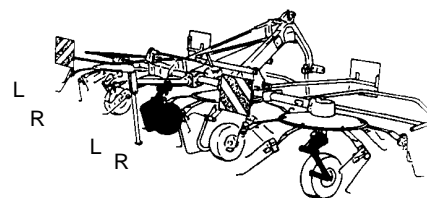
| REF. | ONDERDEELNR. PART NUMBER REFERENCE TEILNUMMER | AANTAL QUANTITY QUANTITE ANZAHL | |
|------|--|--|--|
|------|--|--|--|

| | | | |
|-----|---------------|---|---------------------|
| 371 | 4.1036.0861.0 | 2 | LOTUS 460 |
| | 4.1035.0861.0 | 2 | LOTUS 520 |
| 372 | 9.1108.0085.6 | 2 | Ø32 |
| 373 | 9.1030.0013*4 | 8 | M12 DIN 985-8 |
| 374 | 9.1113.0125*5 | 4 | M12x35 DIN 933-8.8 |
| 375 | 9.1113.0155*0 | 4 | M12x40 DIN 933-10.9 |

| REF. | ONDERDEELNR. PART NUMBER REFERENCE TEILNUMMER | AANTAL QUANTITY QUANTITE ANZAHL | |
|------|--|--|--|
|------|--|--|--|



| LOTUS | type number type number numéro de type Typnummer | vanaf serienummer as from serial number après numéro de serie ab Seriennummer |
|-------------|---|--|
| 460 STABILO | 4.1036.0000.1 4.1036.0001.1 | 1013 - 0501 1013 - 0501 |
| 520 STABILO | 4.1035.0000.1 4.1035.0001.1 | 1012 - 0501 1012 - 0501 |



B073-01-00

| REF. | ONDERDEELNR. PART NUMBER REFERENCE TEILNUMMER | AANTAL QUANTITY QUANTITE ANZAHL |
|------|--|--|
|------|--|--|

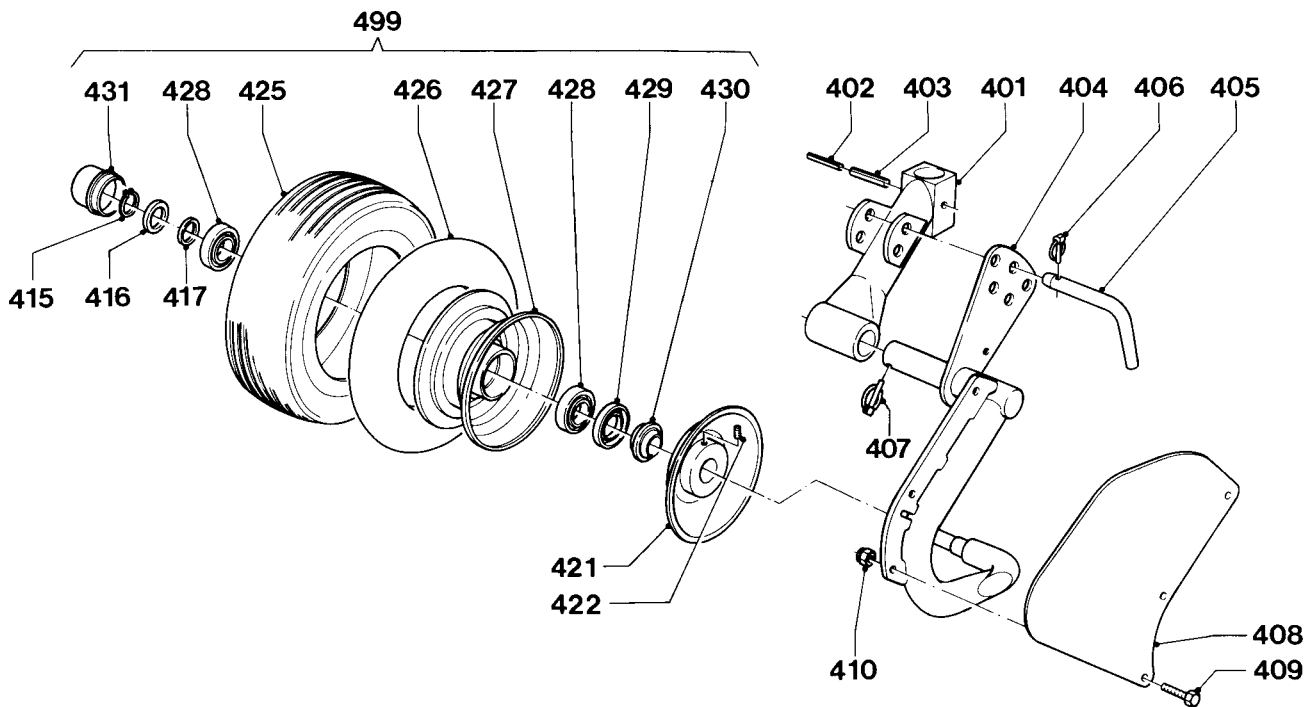
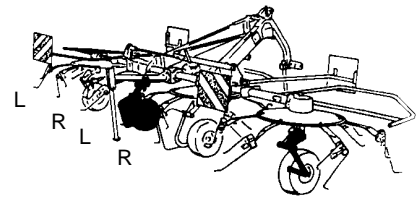
| | | |
|-----|---------------|----|
| 401 | 4.1019.0120.0 | 4 |
| 402 | 9.1070.0056*0 | 4 |
| 403 | 9.1070.0057*1 | 4 |
| 404 | 4.1033.0960.0 | 2 |
| | 4.1033.0950.0 | 2 |
| 405 | 4.1003.0142.0 | 4 |
| 406 | 9.1123.0003*6 | 4 |
| 407 | 9.1070.0039*4 | 4 |
| 408 | 4.1033.0919.0 | 2 |
| 409 | 9.1113.0029*0 | 6 |
| 410 | 9.1030.0004*2 | 6 |
| 415 | 9.1119.0022.1 | 4 |
| 416 | 9.1052.0007.4 | 4 |
| 417 | 4.1011.0066.0 | 4 |
| 421 | 4.1019.0261.0 | 4 |
| 422 | 9.1063.0008.1 | - |
| 425 | 9.1110.0023.4 | 1x |
| 426 | 9.1111.0017.4 | 1x |
| 427 | 9.1102.0024.6 | 1x |
| 428 | 9.1001.0035.6 | 2x |
| 429 | 9.1106.0014.6 | 1x |
| 430 | 9.1106.0015.0 | 1x |
| 431 | 9.1041.0104.0 | 1x |

| REF. | ONDERDEELNR. PART NUMBER REFERENCE TEILNUMMER | AANTAL QUANTITY QUANTITE ANZAHL |
|------|--|--|
|------|--|--|

| | | | |
|-----|---------------|---|----------------|
| 499 | 4.1033.0920.0 | 4 | = REF. 425-431 |
|-----|---------------|---|----------------|



| LOTUS | type number type number numéro de type Typnummer | vanaf serienummer as from serial number après numéro de serie ab Seriennummer |
|-------------|---|--|
| 460 STABILO | 4.1036.0002.1 | 10201 - 0501 |
| 520 STABILO | 4.1035.0002.1 | 10112 - 0501 |



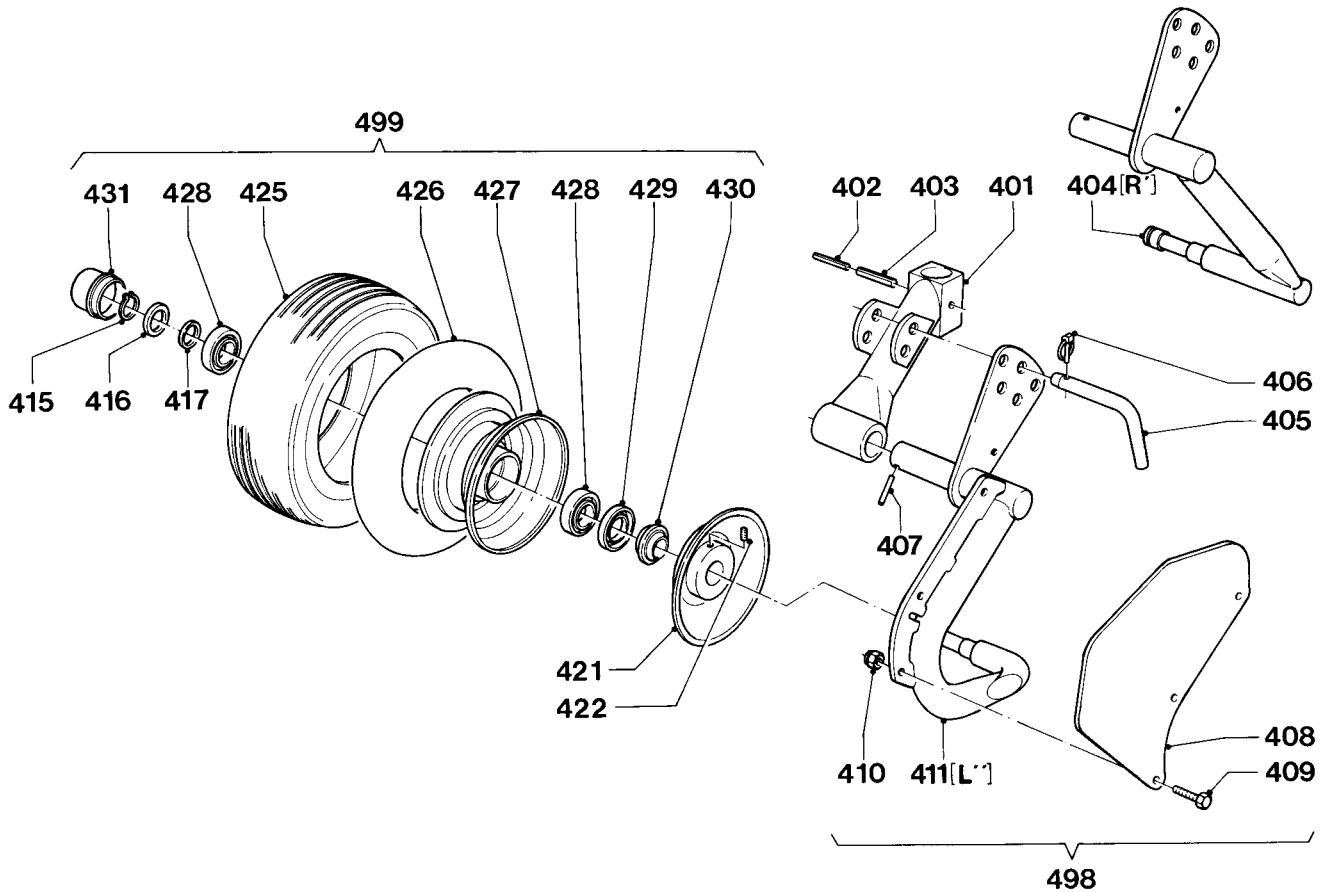
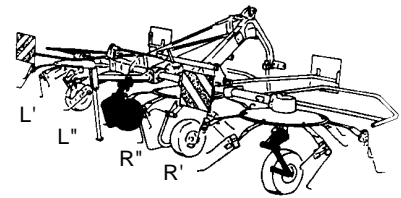
B073-02-00

| REF. | ONDERDEELNR. PART NUMBER REFERENCE TEILNUMMER | AANTAL QUANTITY QUANTITE ANZAHL | |
|------|--|--|---------------------------------|
| 401 | 4.1019.0120.0 | 4 | |
| 402 | 9.1070.0056*0 | 4 | Ø6x55 DIN 1481 |
| 403 | 9.1070.0057*1 | 4 | Ø10x55 DIN 1481 |
| 404 | 4.1033.0960.0 | 2 | [R] |
| | 4.1033.0950.0 | 2 | [L][x] |
| 405 | 4.1003.0142.0 | 4 | |
| 406 | 9.1123.0003*6 | 4 | 6x6 |
| 407 | 9.1123.0004*0 | 4 | 8x6,3 |
| | 9.1070.0039*4 | (4) | Ø10x50 DIN 1481 [x] |
| 408 | 4.1033.0919.0 | 2 | |
| 409 | 9.1113.0029*0 | 6 | M10x25 DIN 933-8.8 |
| 410 | 9.1030.0004*2 | 6 | M10 DIN 985-8 |
| 415 | 9.1119.0022.1 | 4 | 25x2-06 DIN 471 |
| 416 | 9.1052.0007.4 | 4 | 25x35x2,0 DIN 988 |
| 417 | 4.1011.0066.0 | 4 | |
| 421 | 4.1033.0980.0 | 4 | |
| 422 | 9.1063.0016.2 | 8 | M8x10 DIN 916 |
| 425 | 9.1110.0023.4 | 1x | 16x6.50-8 6 ply (max. 3.00 bar) |
| 426 | 9.1111.0017.4 | 1x | 16x6.50-8 |
| 427 | 9.1102.0024.6 | 1x | 5,50 x 8 |
| 428 | 9.1001.0035.6 | 2x | 6205 RS |
| 429 | 9.1106.0014.6 | 1x | |
| 430 | 9.1106.0015.0 | 1x | |
| 431 | 9.1041.0104.0 | 1x | Ø52x32 |

| REF. | ONDERDEELNR. PART NUMBER REFERENCE TEILNUMMER | AANTAL QUANTITY QUANTITE ANZAHL | |
|------|--|--|----------------|
| 499 | 4.1033.0920.0 | 4 | = REF. 425-431 |



| LOTUS | type number type number numéro de type Typnummer | vanaf serienummer as from serial number après numéro de serie ab Seriennummer |
|-------------|---|--|
| 520 STABILO | 4.1035.0002.1 | 10212 - 0681 |



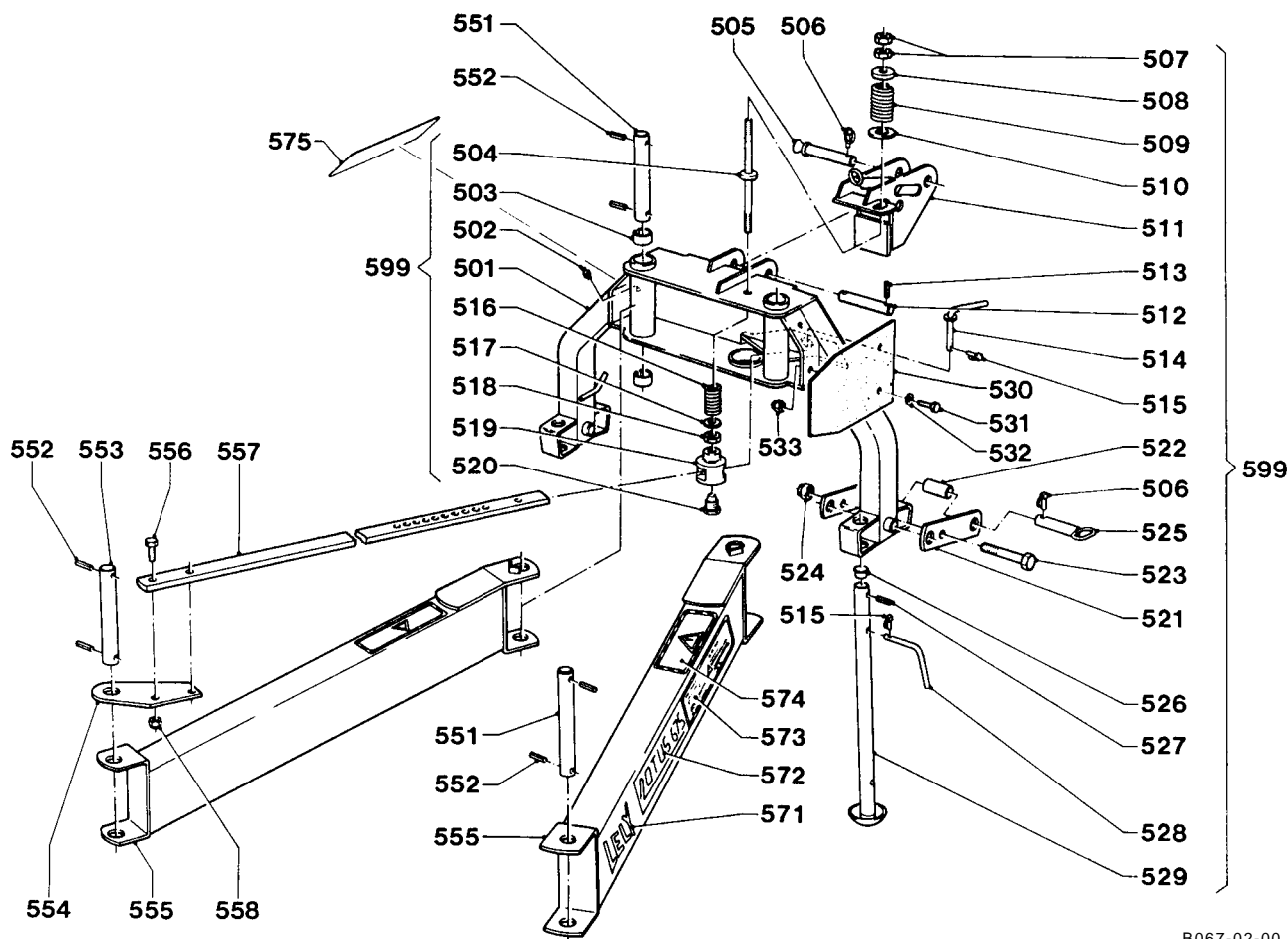
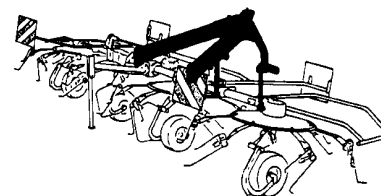
B073-03-10

| REF. | ONDERDEELNR. PART NUMBER REFERENCE TEILNUMMER | AANTAL QUANTITY QUANTITE ANZAHL | |
|------|--|--|--------------------|
| 401 | 4.1019.0120.0 | 4 | |
| 402 | 9.1070.0056.0 | 4 | Ø6x55 DIN 1481 |
| 403 | 9.1070.0057.1 | 4 | Ø10x55 DIN 1481 |
| 404 | 4.1033.0940.0 | 1 | [R'] |
| | 4.1033.0990.0 | 1 | [L'] [x] |
| 405 | 4.1003.0142.0 | 4 | |
| 406 | 9.1123.0003*6 | 4 | Ø6 |
| 407 | 9.1070.0039.4 | 4 | Ø10x50 DIN 1481 |
| 408 | 4.1033.0919.0 | 1+1 | |
| 409 | 9.1113.0029*0 | 3+3 | M10x25 DIN 933-8.8 |
| 410 | 9.1030.0004*2 | 3+3 | M10 DIN 985-8 |
| 411 | 4.1033.0950.0 | 1 | [R'] [x] |
| | 4.1033.0960.0 | 1 | [L'] |
| 415 | 9.1119.0022.1 | 4 | 25x2-06 DIN 471 |
| 416 | 9.1052.0007.4 | 4 | 25x35x2,0 DIN 988 |
| 417 | 4.1011.0066.0 | 4 | |
| 421 | 4.1033.0980.0 | 4 | |
| 422 | 9.1063.0016*2 | 8 | M8x10 DIN 916 |
| 425 | 9.1110.0023.4 | 1x | 16x6.50-8 6 ply |
| 426 | 9.1111.0017.4 | 1x | 16x6.50-8 |
| 427 | 9.1102.0024.6 | 1x | 5,50 x 8 |
| 428 | 9.1001.0035.6 | 2x | 6205 RS1 |
| 429 | 9.1106.0014.6 | 1x | |
| 430 | 9.1106.0015.0 | 1x | |
| 431 | 9.1041.0104.0 | 1x | Ø52x32 |

| REF. | ONDERDEELNR. PART NUMBER REFERENCE TEILNUMMER | AANTAL QUANTITY QUANTITE ANZAHL | |
|------|--|--|-------------------------|
| 498 | 4.1033.0950.8 | 1 | = REF. 408-411 [R'] [x] |
| | 4.1033.0960.8 | 1 | = REF. 408-411 [L'] |
| 499 | 4.1033.0920.0 | 4 | = REF. 425-431 |



| LOTUS | type number type number numéro de type Typnummer | vanaf serienummer as from serial number après numéro de serie ab Seriennummer |
|-------------|---|--|
| 460 STABILO | 4.1036.0000.1 | 1013 - 0501 |
| | 4.1036.0001.1 | 1013 - 0501 |
| 520 STABILO | 4.1035.0000.1 | 1012 - 0501 |
| | 4.1035.0001.1 | 1012 - 0501 |
| | 4.1035.0002.1 | 10112 - 0501 |



B067-02-00

| REF. | ONDERDEELNR. PART NUMBER REFERENCE TEILNUMMER | AANTAL QUANTITY QUANTITE ANZAHL |
|------|--|--|
|------|--|--|

| | | |
|-----|---------------|---|
| 501 | 4.1033.0630.0 | 1 |
| 502 | 9.1068.0007*2 | 2 |
| 503 | 9.1077.0001.1 | 4 |
| 504 | 4.1033.0670.0 | 1 |
| 505 | 9.1088.0005*1 | 1 |
| 506 | 9.1123.0002*5 | 3 |
| 507 | 9.1029.0016*1 | 3 |
| 508 | 9.1048.0068*6 | 1 |
| 509 | 4.1016.0926.0 | 1 |
| 510 | 9.1048.0055*0 | 1 |
| 511 | 4.1033.0660.0 | 1 |
| 512 | 4.1016.1483.0 | 1 |
| 513 | 9.1070.0021*0 | 2 |
| 514 | 4.1016.0990.0 | 1 |
| 515 | 9.1123.0003*6 | 3 |
| 516 | 9.1090.0017*4 | 1 |
| 517 | 9.1048.0019*6 | 1 |
| 518 | 9.1034.0006.0 | 1 |
| 519 | 4.1016.0928.0 | 1 |
| 520 | 4.1016.0927.0 | 1 |
| 521 | 4.1025.0819.0 | 4 |
| 522 | 4.1016.0818.0 | 2 |
| 523 | 9.1113.0097*5 | 2 |
| 524 | 9.1030.0017*1 | 2 |
| 525 | 1.1804.0310.0 | 2 |
| 526 | 9.1108.0021.4 | 2 |
| 527 | 9.1070.0023*2 | 2 |
| 528 | 4.1016.0298.0 | 2 |
| 529 | 4.1017.0141.0 | 2 |
| 530 | 4.1033.0628.0 | 2 |
| 531 | 9.1113.0149*1 | 4 |
| 532 | 9.1048.0005*6 | 4 |
| 533 | 9.1030.0012*3 | 4 |
| 551 | 4.1033.0629.0 | 3 |
| 552 | 9.1070.0028*0 | 8 |
| 553 | 4.1033.0246.0 | 1 |
| 554 | 4.1036.1498.0 | 1 |
| 555 | 4.1033.0718.0 | 1 |
| 556 | 4.1033.0720.0 | 2 |
| 557 | 9.1113.0093*1 | 2 |
| 558 | 4.1033.0719.0 | 1 |
| 559 | 9.1030.0017*1 | 2 |
| 571 | 9.1170.0200.2 | 1 |
| 572 | 9.1170.0354.2 | 2 |
| 573 | 9.1170.0360.1 | 1 |
| 574 | 9.1170.0365.6 | 1 |
| 575 | 9.1170.0124.3 | 1 |
| 576 | 9.1170.0052.1 | 2 |
| 577 | 9.1170.0125.4 | 1 |
| 599 | 4.1033.0600.0 | 1 |

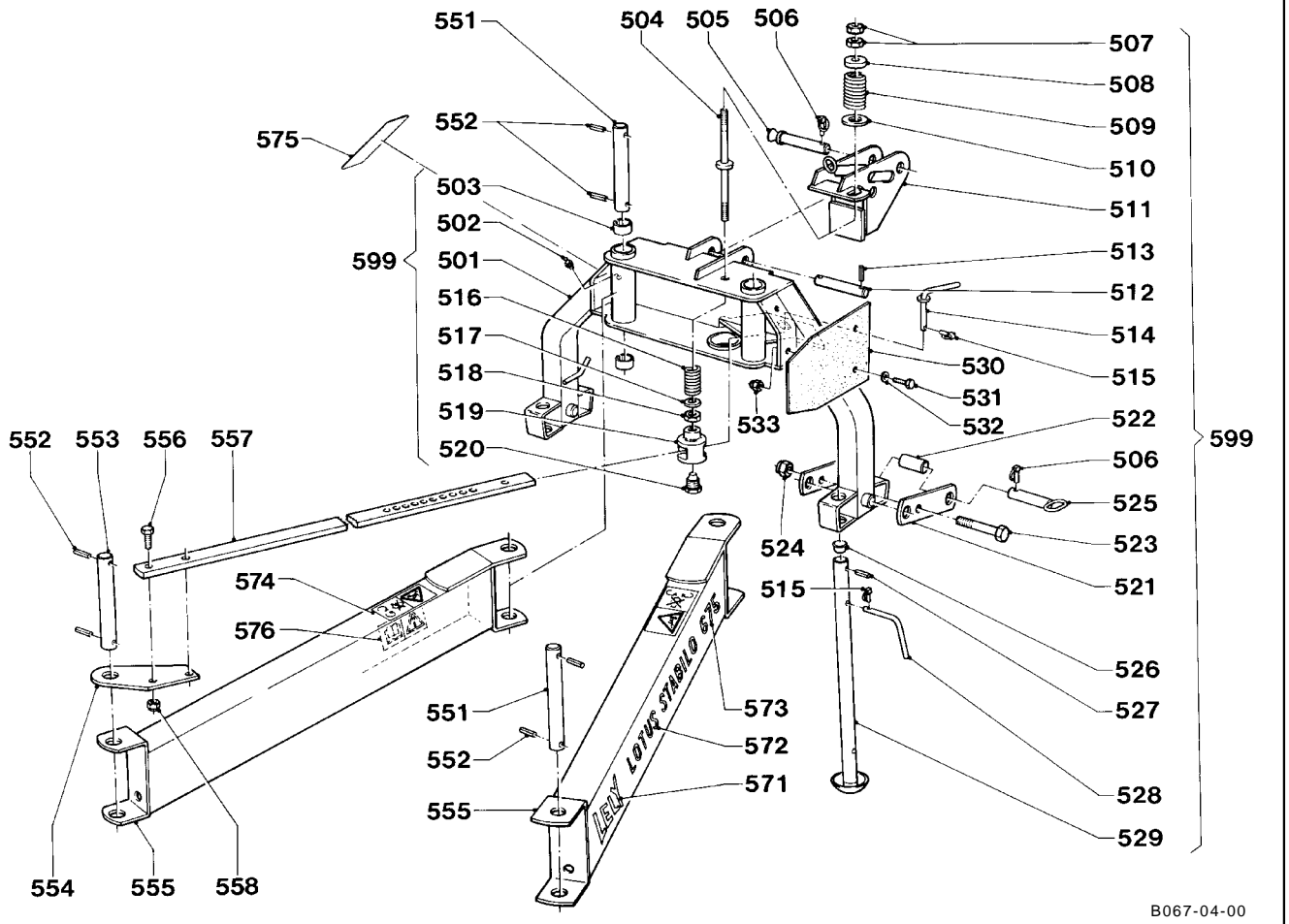
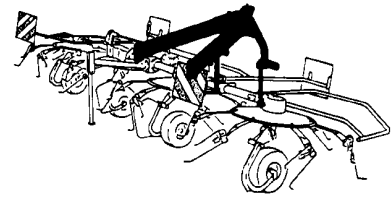
| REF. | ONDERDEELNR. PART NUMBER REFERENCE TEILNUMMER | AANTAL QUANTITY QUANTITE ANZAHL |
|------|--|--|
|------|--|--|

| | | |
|-----|---------------|---|
| 526 | 9.1108.0021.4 | 2 |
| 527 | 9.1070.0023*2 | 2 |
| 528 | 4.1016.0298.0 | 2 |
| 529 | 4.1017.0141.0 | 2 |
| 530 | 4.1033.0628.0 | 2 |
| 531 | 9.1113.0149*1 | 4 |
| 532 | 9.1048.0005*6 | 4 |
| 533 | 9.1030.0012*3 | 4 |
| 551 | 4.1033.0629.0 | 3 |
| 552 | 9.1070.0028*0 | 8 |
| 553 | 4.1033.0246.0 | 1 |
| 554 | 4.1036.1498.0 | 1 |
| 555 | 4.1033.0718.0 | 1 |
| 556 | 4.1033.0720.0 | 2 |
| 557 | 9.1113.0093*1 | 2 |
| 558 | 4.1033.0719.0 | 1 |
| 559 | 9.1030.0017*1 | 2 |
| 571 | 9.1170.0200.2 | 1 |
| 572 | 9.1170.0354.2 | 2 |
| 573 | 9.1170.0360.1 | 1 |
| 574 | 9.1170.0365.6 | 1 |
| 575 | 9.1170.0124.3 | 1 |
| 576 | 9.1170.0052.1 | 2 |
| 577 | 9.1170.0125.4 | 1 |
| 599 | 4.1033.0600.0 | 1 |

= REF. 501-533



| LOTUS | type nummer type number numéro de type Typnummer | vanaf serienummer as from serial number après numéro de serie ab Seriennummer |
|-------------|---|--|
| 460 STABILO | 4.1036.0002.1 | 10201 - 0501 |
| 520 STABILO | 4.1035.0002.1 | 10112 - 0601 |



B067-04-00

| REF. | ONDERDEELNR. PART NUMBER REFERENCE TEILNUMMER | AANTAL QUANTITY QUANTITE ANZAHL |
|------|--|--|
|------|--|--|

| | | |
|-----|---------------|---|
| 501 | 4.1033.0630.0 | 1 |
| 502 | 9.1068.0007*2 | 2 |
| 503 | 9.1077.0001.1 | 4 |
| 504 | 4.1033.0670.0 | 1 |
| 505 | 9.1088.0005*1 | 1 |
| 506 | 9.1123.0002*5 | 3 |
| 507 | 9.1029.0016*1 | 3 |
| 508 | 9.1048.0068*6 | 1 |
| 509 | 4.1016.0926.0 | 1 |
| 510 | 9.1048.0055*0 | 1 |
| 511 | 4.1033.0660.0 | 1 |
| 512 | 4.1016.1483.0 | 1 |
| 513 | 9.1070.0021.0 | 2 |
| 514 | 4.1016.0990.0 | 1 |
| 515 | 9.1123.0003*6 | 3 |
| 516 | 9.1090.0017*4 | 1 |
| 517 | 9.1048.0019*6 | 1 |
| 518 | 9.1034.0006.0 | 1 |
| 519 | 4.1016.0928.0 | 1 |
| 520 | 4.1016.0927.0 | 1 |
| 521 | 4.1025.0819.0 | 4 |
| 522 | 4.1016.0818.0 | 2 |
| 523 | 9.1113.0097*5 | 2 |
| 524 | 9.1030.0017*1 | 2 |
| 525 | 1.1804.0310.0 | 2 |

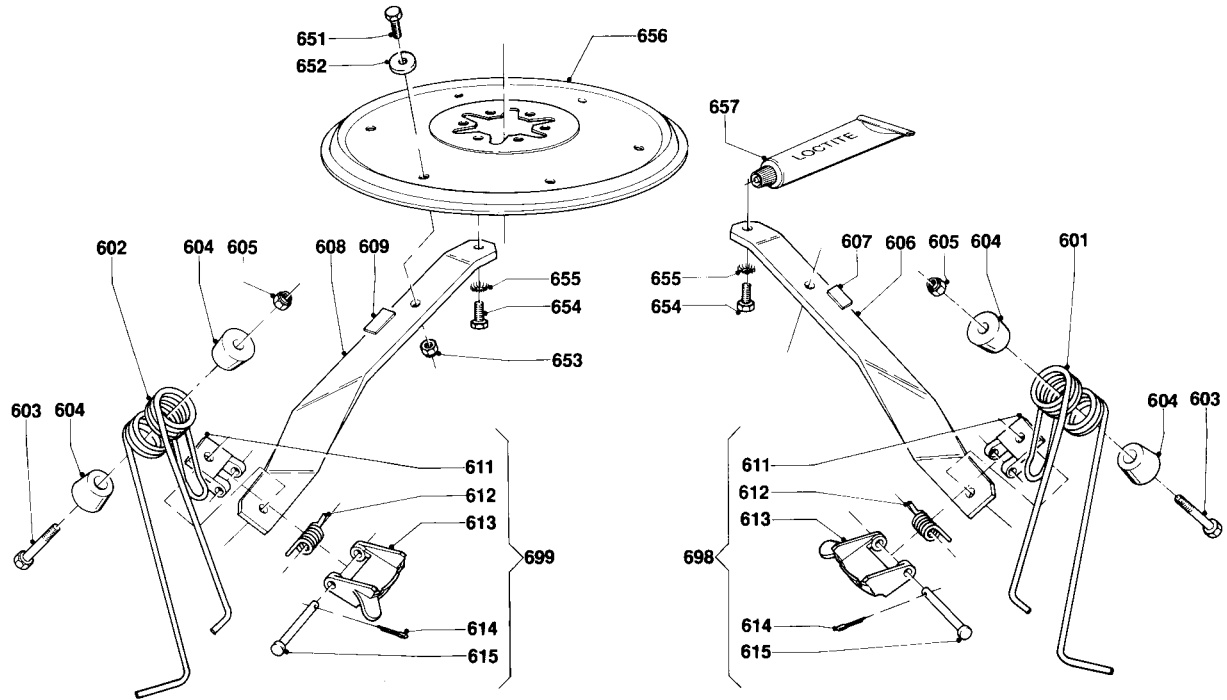
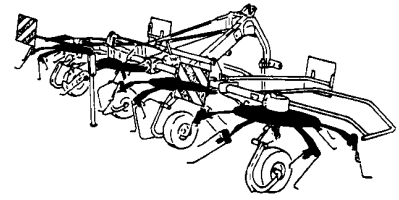
| REF. | ONDERDEELNR. PART NUMBER REFERENCE TEILNUMMER | AANTAL QUANTITY QUANTITE ANZAHL |
|------|--|--|
|------|--|--|

| | | |
|-----|---------------|---|
| 526 | 9.1108.0021.4 | 2 |
| 527 | 9.1070.0023.2 | 2 |
| 528 | 4.1016.0298.0 | 2 |
| 529 | 4.1017.0141.0 | 2 |
| 530 | 4.1033.0628.0 | 2 |
| 531 | 9.1113.0149*1 | 4 |
| 532 | 9.1048.0005*6 | 4 |
| 533 | 9.1030.0012*3 | 4 |
| 551 | 4.1033.0629.0 | 3 |
| 552 | 9.1070.0028.0 | 8 |
| 553 | 4.1033.0246.0 | 1 |
| 554 | 4.1036.1498.0 | 1 |
| | 4.1033.0718.0 | 1 |
| 555 | 4.1033.0721.0 | 2 |
| 556 | 9.1113.0093*1 | 2 |
| 557 | 4.1033.0719.0 | 1 |
| 558 | 9.1030.0017*1 | 2 |
| 571 | 9.1170.0200.2 | 1 |
| 572 | 9.1170.0354.2 | 2 |
| 573 | 9.1170.0360.1 | 1 |
| | 9.1170.0365.6 | 1 |
| 574 | 9.1170.0407.6 | 2 |
| 575 | 9.1170.0125.4 | 1 |
| 576 | 9.1170.0408.0 | 1 |
| 599 | 4.1033.0600.0 | 1 |

= REF. 501-533



| LOTUS | type nummer type number numéro de type Typnummer | vanaf serienummer as from serial number après numéro de serie ab Seriennummer |
|-------------|---|--|
| 460 STABILO | 4.1036.0000.1 | 1013 - 0501 |
| | 4.1036.0001.1 | 1013 - 0501 |
| | 4.1036.0002.1 | 10201 - 0501 |
| 520 STABILO | 4.1035.0000.1 | 1012 - 0501 |
| | 4.1035.0001.1 | 1012 - 0501 |
| | 4.1035.0002.1 | 10112 - 0501 |



B038-04-00

| REF. | ONDERDEELNR. PART NUMBER REFERENCE TEILNUMMER | AANTAL QUANTITY QUANTITE ANZAHL | |
|------|--|--|--|
|------|--|--|--|

| | | | |
|-----|---------------|----|-----------------------------|
| | | | Geel-Yellow-Jaune-Gelb |
| 601 | 4.1017.0126.0 | 12 | [LD] 460+520 |
| 602 | 4.1017.0138.0 | 12 | [RD] 460+520 |
| | | | 4.1036.0000.1+4.1035.0000.1 |
| | | | 4.1036.0002.1+4.1035.0002.1 |

| | | | |
|-----|---------------|----|-----------------------------|
| | | | Zwart-Black-Noire-Schwarz |
| 601 | 4.1016.0159.0 | 12 | [LD] 460+520 |
| 602 | 4.1016.0149.0 | 12 | [RD] 460+520 |
| | | | 4.1036.0001.1+4.1035.0001.1 |

| | | | |
|-----|---------------|----|---------------------|
| 603 | 9.1113.0136*2 | 24 | M12x100 DIN 931-8.8 |
| 604 | 4.1015.0055.0 | 48 | |
| 605 | 9.1030.0013*4 | 24 | M12 DIN 985-8 |

| | | | |
|-----|---------------|----|-------------------|
| 606 | 4.1017.0379.0 | 12 | [LD] LOTUS 460 |
| | 4.1021.0089.0 | 12 | [LD] LOTUS 520 |
| 607 | 9.1170.0085.6 | 4 | 20x45 Blauw-Blue |
| 608 | 4.1017.0135.0 | 12 | [RD] LOTUS 460 |
| | 4.1021.0099.0 | 12 | [RD] LOTUS 520 |
| 609 | 9.1170.0084.5 | 4 | 20x45 Geel-Yellow |

| | | | |
|-----|---------------|----|---------------|
| 611 | 4.1015.0056.0 | 24 | Cpl.= 698/699 |
| 612 | 4.1015.0054.0 | 24 | |
| 613 | 4.1015.0057.0 | 24 | |
| 614 | 9.1072.0001*6 | 24 | 3x15 DIN 94 |
| 615 | 9.1115.0101*0 | 24 | |

| REF. | ONDERDEELNR. PART NUMBER REFERENCE TEILNUMMER | AANTAL QUANTITY QUANTITE ANZAHL | |
|------|--|--|--|
|------|--|--|--|

| | | | |
|-----|---------------|----|--------------------|
| 651 | 9.1113.0050*0 | 24 | M12x30 DIN 933-8.8 |
| 652 | 9.1048.0041*0 | 24 | A13 DIN 9021 [] |
| 653 | 9.1030.0013*4 | 24 | M12 DIN 985-8 |
| 654 | 9.1113.0049*6 | 24 | M12x25 DIN 933-8.8 |
| 655 | 9.1051.0003*1 | 24 | A12,5 DIN 6798 [] |

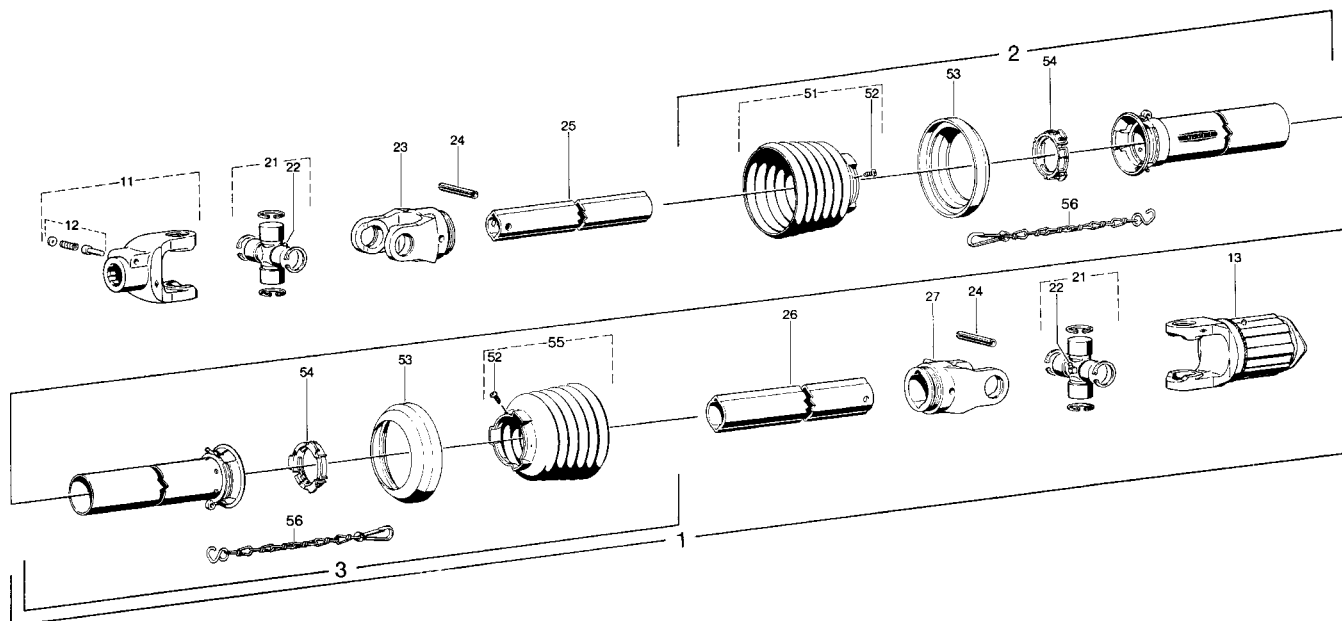
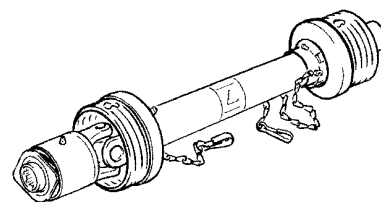
| | | | |
|-----|---------------|---|------------------|
| 656 | 4.1017.0175.0 | 4 | LOTUS 460 |
| | 4.1019.0191.0 | 4 | LOTUS 520 |
| 657 | 9.1126.0001.1 | 4 | Loctite 242 3ml. |

| | | | |
|-----|---------------|---|---------------------|
| 698 | 4.1016.0151.2 | - | = REF. 611-615 [LD] |
|-----|---------------|---|---------------------|

| | | | |
|-----|---------------|---|---------------------|
| 699 | 4.1016.0141.2 | - | = REF. 611-615 [RD] |
|-----|---------------|---|---------------------|



| LOTUS | type nummer type number número de type Typnummer | vanaf serienummer as from serial number après numéro de serie ab Seriennummer |
|-------------|---|--|
| 460 STABILO | 4.1036.0000.1 | 1013 - 0501 |
| | 4.1036.0001.1 | 1013 - 0501 |
| | 4.1036.0002.1 | 10201 - 0501 |
| 520 STABILO | 4.1035.0000.1 | 1012 - 0501 |
| | 4.1035.0001.1 | 1012 - 0501 |
| | 4.1035.0002.1 | 10112 - 0501 |



Bw005-04-00

| REF. | ONDERDEELNR. PART NUMBER REFERENCE TEILNUMMER | AANTAL QUANTITY QUANTITE ANZAHL | |
|------|--|--|--|
|------|--|--|--|

| | | | |
|----|---------------|---|---|
| 1 | 9.1154.0129.3 | 1 | W2300-SD15-1210 mm-K33B = REF. 11-56 |
| 2 | 85.105 | 1 | SDH15; L= 1020 mm |
| 3 | 85.104 | 1 | SDH15; L= 1020 mm |
| 11 | 21.10.00 | 1 | 1.3/8" (6) |
| 12 | 33.91.07 | 1 | AGRASET 101 |
| 13 | 55.202.03 | 1 | 1.3/8" (6) K33B M= 800 Nm |
| 21 | 21.00.00 | 2 | |
| 22 | 63.27.00 | 2 | M8x1 |
| 23 | 21.11.00 | 1 | RG2300-Ov |
| 24 | 61.05.04 | 2 | Ø10x65 DIN 1481 |
| 25 | 75.11.16 | 1 | Ov; L= 1080 mm |
| 26 | 75.15.16 | 1 | 1; L= 1075 mm |
| 27 | 21.12.00 | 1 | RG2300-1 |
| 51 | 85.15.05 | 1 | n= 5 |
| 52 | 60.15.00 | 2 | 4x10 |
| 53 | 82.85.00 | 2 | |
| 54 | 82.83.06 | 2 | |
| 55 | 85.15.07 | 1 | n= 7 |
| 56 | 82.36.03 | 2 | |

| REF. | ONDERDEELNR. PART NUMBER REFERENCE TEILNUMMER | AANTAL QUANTITY QUANTITE ANZAHL | |
|------|--|--|--|
|------|--|--|--|