

# LELY

LOTUS

type number  
type number  
numéro de type  
Typnummer

vanaf serienummer  
as from serial number  
après numéro de série  
ab Seriennummer

520 STABILO

4.1021.0010.1

967 - 0501

520 STABILO

4.1021.0011.1

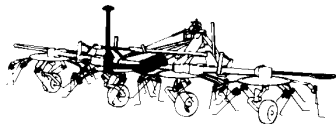
1000 - 0501

## L5s

Inhoud  
Contents  
Index  
Inhalt

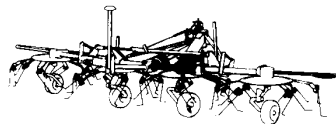
## LOTUS 520 STABILO

pagina  
page  
page  
Seite



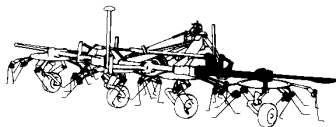
Centrale aandrijving  
Central drive  
Entraînement central  
Zentralantrieb

01



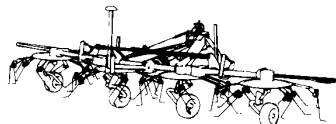
Binnenaandrijving  
Inner drive  
Entraînement intérieur  
Innenantrieb

02



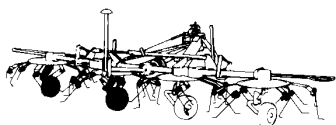
Buitenaandrijving  
Outer drive  
Entraînement extérieur  
Aussenantrieb

03



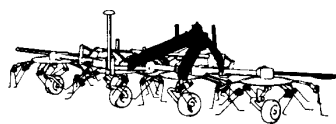
Hydraulische cilinder  
Hydraulic ram  
Vérin hydraulique  
Hydraulikzylinder

04



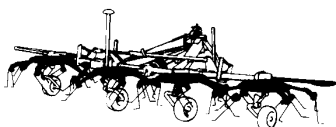
Loopwielen  
Support wheels  
Roues de support  
Stützräder

05



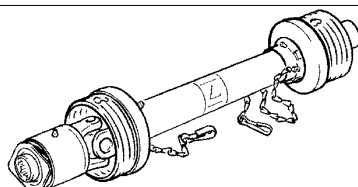
Naloopbok  
Trail device  
Dispositif pivotant  
Nachlaufbok

06



Rotoren  
Rotors  
Rotors  
Rotoren

07

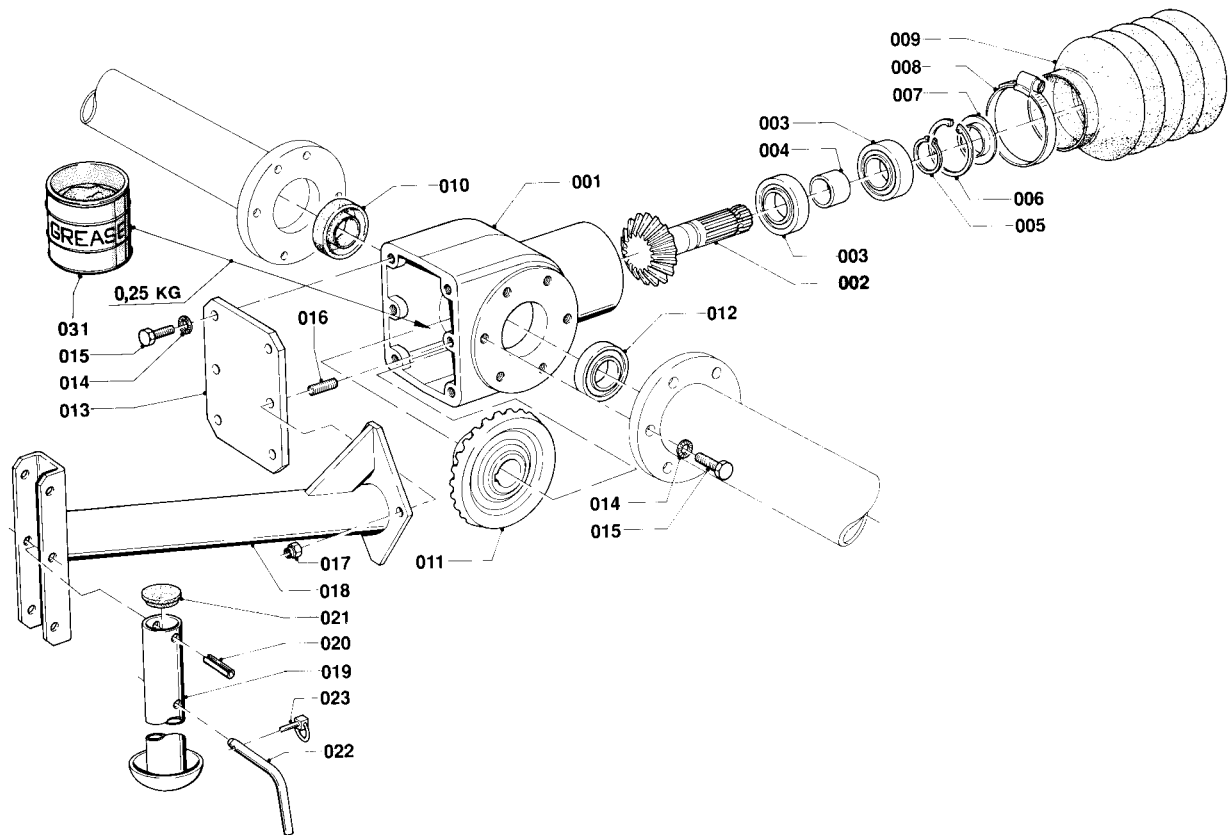
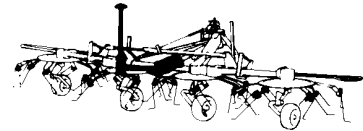


Koppelingsas  
PTO shaft  
Arbre de transmission  
Gelenkwelle

08



LOTUS	type number type number numéro de type Typnummer	vanaf serienummer as from serial number après numéro de serie ab Seriennummer
520 STABILO	4.1021.0010.1	967 - 0501
520 STABILO	4.1021.0011.1	1000 - 0501



B011-04-01

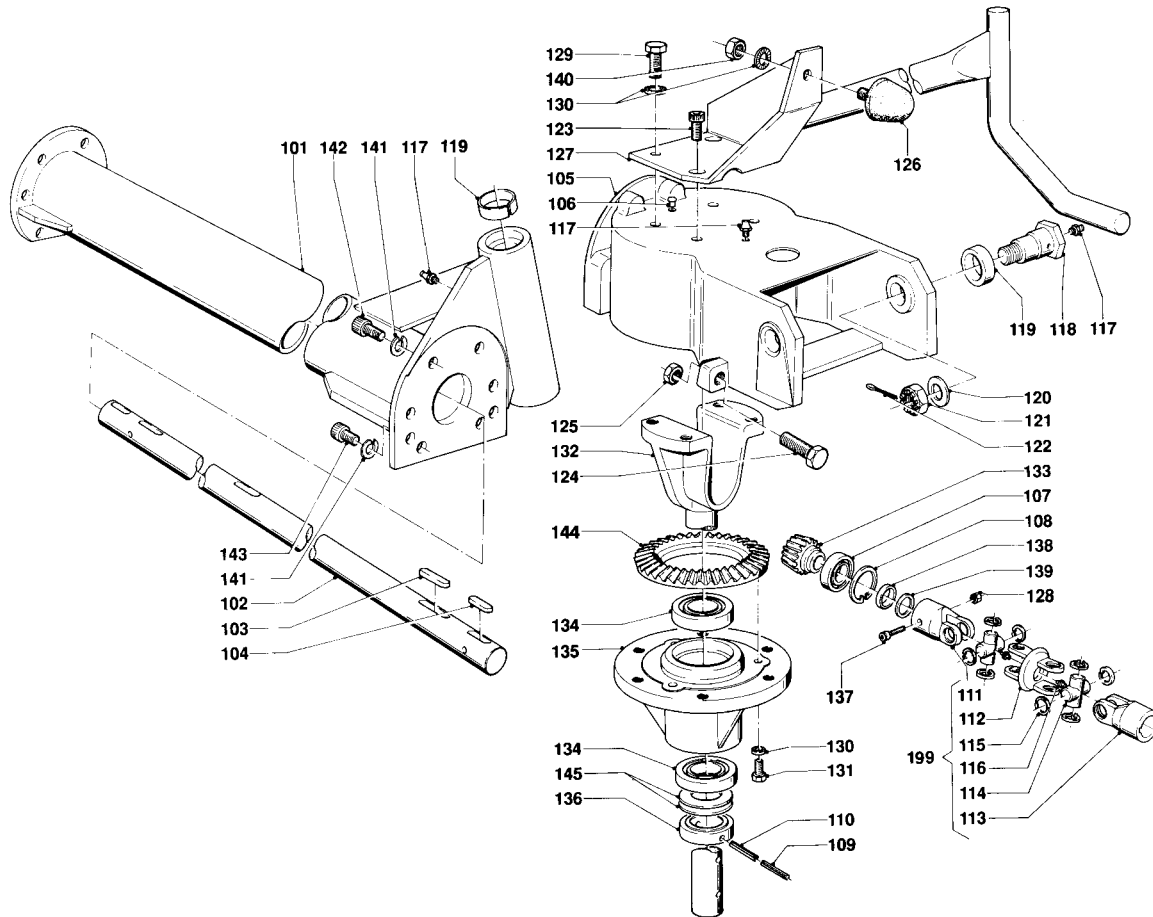
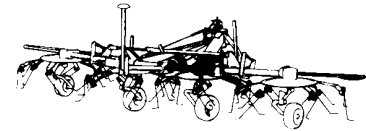
REF.	ONDERDEELNR. PART NUMBER REFERENCE TEILNUMMER	AANTAL QUANTITY QUANTITE ANZAHL	
------	--	--	--

001	4.1019.0198.0	1	
002	4.1017.0192.0	1	
003	9.1001.0056.6	2	6307 2RS-1
004	4.1013.1444.0	1	
005	9.1119.0009.2	1	35x1,50 DIN 471
006	9.1120.0011.3	1	80x2,50 DIN 472
007	9.1106.0016.1	1	Z 307
008	9.1066.0006*3	1	Ø85 - Ø110
009	9.1161.0009.2	1	
010	9.1042.0007.0	1	30x62x10 B2 [» «]
011	4.1019.0193.0	1	
012	9.1001.0076.5	1	6009 2RS-1
013	4.1017.0190.0	1	
014	9.1051.0002*0	16	A 10,5 DIN 6798 [////]
015	9.1113.0029*0	16	M10x25 DIN 933-8.8
016	9.1081.0002.5	2	M10x35 DIN 939-5.8
017	9.1030.0004*2	2	M10 DIN 985-8
018	4.1017.0440.0	1	
019	4.1016.0260.0	1	
020	9.1070.0058*2	1	Ø14x65 DIN 1481
021	9.1108.0049.5	1	
022	4.1016.0298.0	1	
023	9.1123.0003*6	1	6x6
031	9.1174.0031.0	(0,25)	1 kg EHL 484 XC ESSO
	9.1174.0030.6	(0,25)	5 kg EHL 484 XC ESSO

REF.	ONDERDEELNR. PART NUMBER REFERENCE TEILNUMMER	AANTAL QUANTITY QUANTITE ANZAHL	
------	--	--	--

LELY

LOTUS	type number type number numéro de type Typnummer	vanaf serienummer as from serial number après numéro de serie ab Seriennummer
520 STABILO	4.1021.0010.1	967 - 0501
520 STABILO	4.1021.0011.1	1000 - 0501



B048-03-00

REF.	ONDERDEELNR. PART NUMBER REFERENCE TEILNUMMER	AANTAL QUANTITY QUANTITE ANZAHL	
------	--	--	--

101	4.1021.0410.0	1	[R]
	4.1021.0420.0	1	[L][x]
102	4.1021.0148.0	1	
103	9.1071.0014.6	3	A8x7x50 DIN 6885
104	9.1071.0009.1	2	A8x7x32 DIN 6885

105	4.1024.0194.0	2	
106	9.1108.0064.6	2	
107	9.1001.0078.0	2	6009 2Z
108	9.1120.0026.4	2	75x3,00 DIN 472
109	9.1070.0056.0	2	Ø6x55 DIN 1481

110	9.1070.0057.1	2	Ø10x55 DIN 1481
111	4.1017.0077.0	1+1	
112	4.1016.0078.0	1+1	
113	4.1017.0079.0	1+1	
114	9.1160.0003.4	2+2	(114= 114-116)

115	62.23.00	-	24x1,5
116	63.27.00	-	M8x1
117	9.1068.0007*2	8	AM8x1,25 DIN 71412
118	4.1016.1499.0	4	
119	9.1077.0003.3	8	30/38x18 DIN 1498

120	9.1049.0010.3	4	21 DIN 6340
121	9.1031.0009.6	4	M20x1,5 DIN 937-22H
122	9.1072.0005.3	4	4x40 DIN 94
123	9.1057.0010.2	4	M10x25 DIN 912-12.9
124	9.1113.0069.5	4	M14x45 DIN 933-8.8

REF.	ONDERDEELNR. PART NUMBER REFERENCE TEILNUMMER	AANTAL QUANTITY QUANTITE ANZAHL	
------	--	--	--

125	9.1029.0012*4	4	M14 DIN 934-8
126	9.1105.0004.4	2	M10 Ø50x68
127	4.1021.0440.0	1	[R]
	4.1021.0430.0	1	[L][x]
128	9.1030.0004*2	4	M10 DIN 985-8

129	9.1113.0117*4	4	M10x35 DIN 933-8.8
130	9.1051.0002*0	10	A10,5 DIN 6798 [////]
131	9.1113.0120*0	6	M10x30 DIN 933-8.8
132	4.1019.0190.0	2	
133	4.1019.0197.0	2	

134	9.1001.0098.6	4	6007 2Z
135	4.1024.0193.0	2	
136	4.1019.0189.0	2	
137	9.1057.0026.4	2	M10x60 DIN 912-12.9
138	4.1019.0194.0	2	

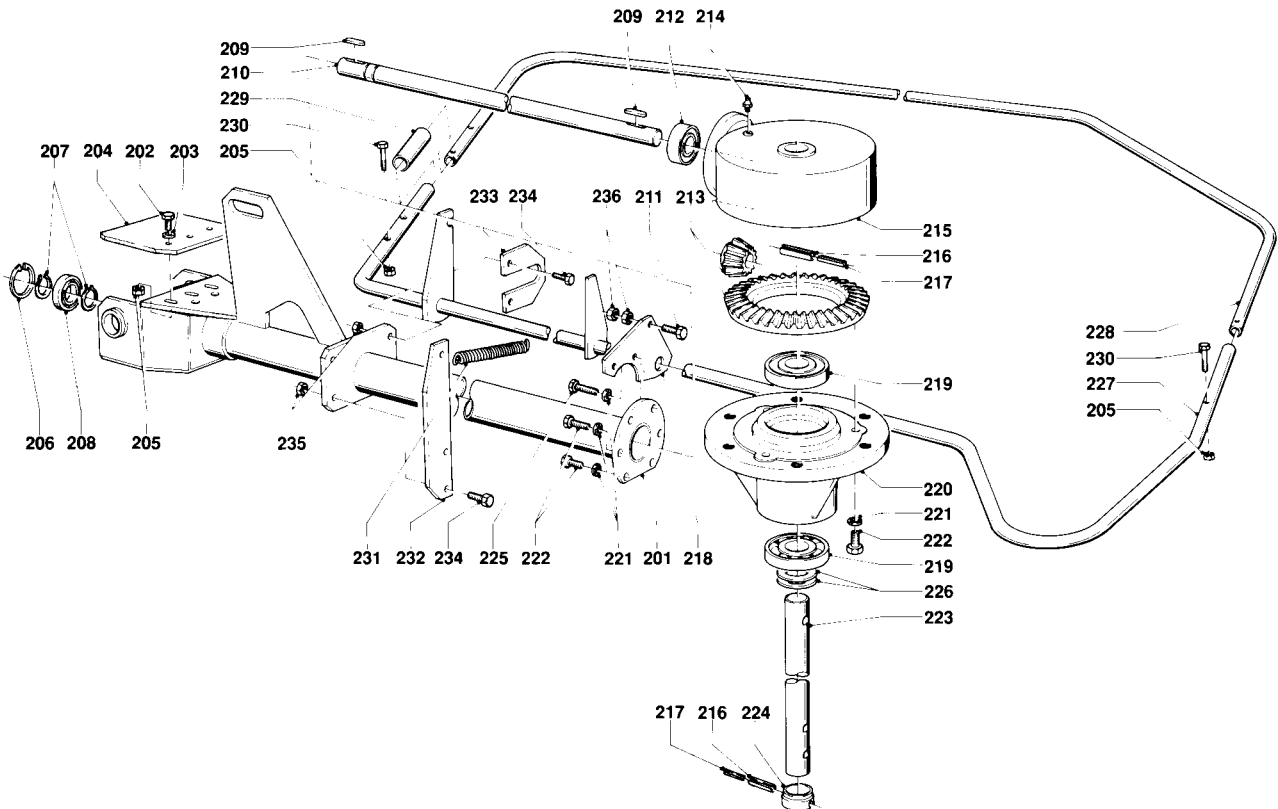
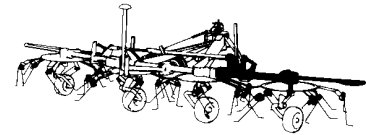
139	9.1093.0002.0	-	30x42x1,0 DIN 988
140	9.1029.0005*4	2	M10 DIN 934-8
141	9.1121.0011*2	16	A12 DIN 127 [—]
142	9.1057.0023.1	12	M12x30 DIN 912-12.9
143	9.1057.0030.1	4	M12x25 DIN 912-12.9

144	4.1017.0182.0	2	
145	4.1019.0188.0	-	[D+D]

199	4.1017.0071.0	2	= REF. 111-116
-----	---------------	---	----------------



LOTUS	type nummer type number numéro de type Typnummer	vanaf serienummer as from serial number après numéro de serie ab Seriennummer
520 STABILO	4.1021.0010.1	967 - 0501



B049-02-01

REF.	ONDERDEELNR. PART NUMBER REFERENCE TEILNUMMER	AANTAL QUANTITY QUANTITE ANZAHL
------	--	--

201	4.1025.0710.0	2
202	9.1113.0128*1	6
203	9.1048.0005*6	6
204	4.1024.1490.0	2
205	9.1030.0012*3	12
206	9.1120.0005.4	2
207	9.1119.0008.1	4
208	9.1001.0037.1	2
209	9.1071.0012.4	4
210	4.1021.0298.0	2
211	9.1113.0050*0	2
212	9.1001.0078.0	2
213	4.1017.0182.0	2
	4.1019.0197.0	2
214	9.1068.0007*2	2
215	4.1019.0393.0	2
216	9.1070.0057*1	4
217	9.1070.0056*0	4
218	4.1021.1498.0	2
219	9.1001.0098.6	4
220	4.1024.0193.0	2
221	9.1051.0002*0	18
222	9.1113.0120.0	18
223	4.1019.0392.0	2
224	4.1019.0189.0	2

REF.	ONDERDEELNR. PART NUMBER REFERENCE TEILNUMMER	AANTAL QUANTITY QUANTITE ANZAHL
------	--	--

225	9.1113.0117*4	6
226	4.1019.0188.0	-
227	4.1021.0460.0	1
	4.1021.0450.0	1
228	4.1021.1499.0	2
229	4.1016.1488.0	2
230	9.1113.0018*3	6
231	1.1633.1496.0	2
232	4.1019.0396.0	2
233	4.1019.0395.0	2
234	9.1113.0125*5	8
235	9.1030.0013*4	8
236	9.1029.0008*0	4

M10x35 DIN 933-8.8  
[D+D]  
[R]  
[L][x]

M8x45 DIN 931-8.8

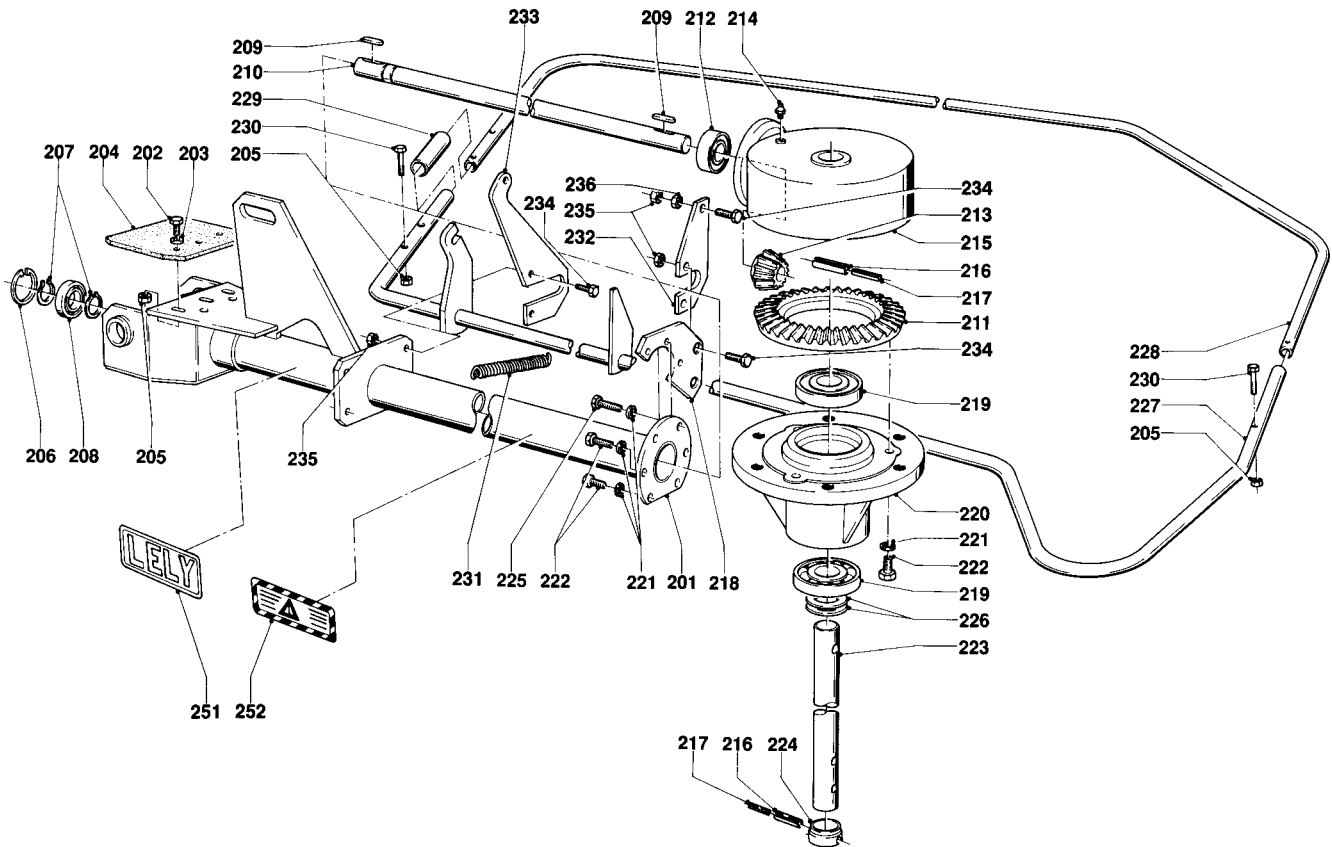
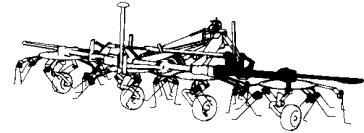
M12x35 DIN 933-8.8  
M12 DIN 985-8  
M12 DIN 934-8

[ ]

[////]

LELY

LOTUS	type nummer type number numéro de type Typnummer	vanaf serienummer as from serial number après numéro de serie ab Seriennummer
520 STABILO	4.1021.0010.1	978 - 0501
520 STABILO	4.1021.0011.1	1000 - 0501



B049-03-01

REF.	ONDERDEELNR. PART NUMBER REFERENCE TEILNUMMER	AANTAL QUANTITY QUANTITE ANZAHL	
------	--	--	--

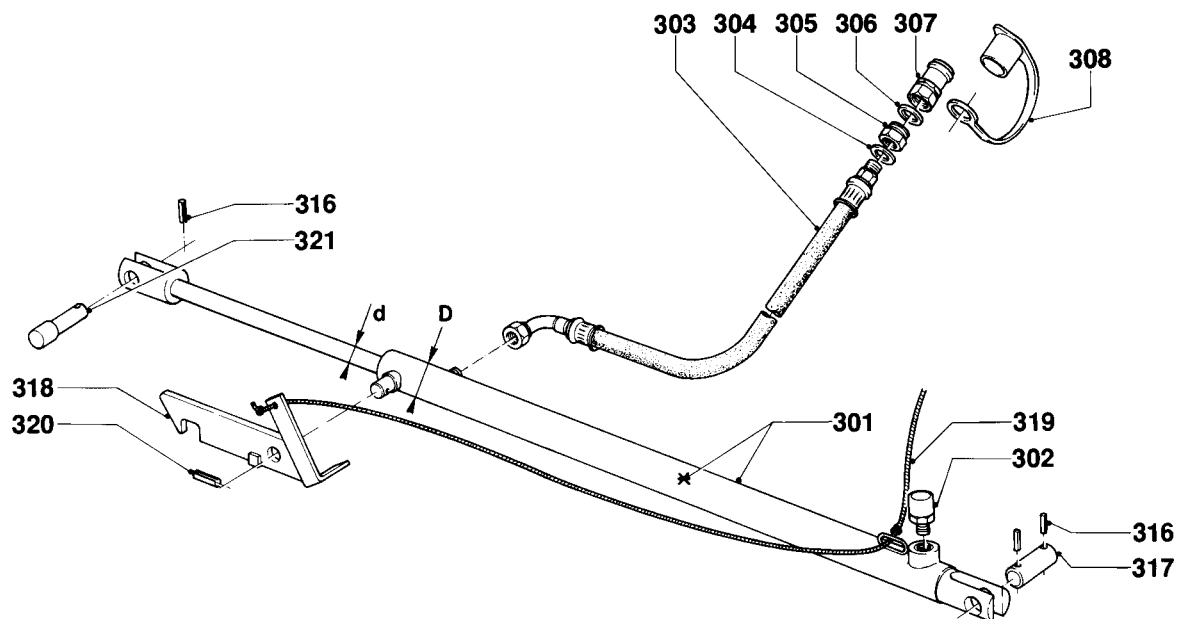
201	4.1025.0710.0	2	
202	9.1113.0128*1	6	M8x25 DIN 933-8.8
203	9.1048.0005*6	6	A8,4 DIN 9021 [—]
204	4.1024.1490.0	2	
205	9.1030.0012*3	12	M8 DIN 985-8
206	9.1120.0005.4	2	62x2,00 DIN 472
207	9.1119.0008.1	4	30x1,50 DIN 471
208	9.1001.0037.1	2	6206 2Z
209	9.1071.0012.4	4	A8x7x45 DIN 6885
210	4.1021.0298.0	2	
211	4.1017.0182.0	2	
212	9.1001.0078.0	2	6009 2Z
213	4.1019.0197.0	2	
214	9.1068.0007*2	2	AM8x1,25 DIN 71412
215	4.1019.0393.0	2	
216	9.1070.0057*1	4	Ø10x55 DIN 1481
217	9.1070.0056*0	4	Ø6x55 DIN 1481
218	4.1021.0539.0	2	
219	9.1001.0098.6	4	6007 2Z
220	4.1024.0193.0	2	
221	9.1051.0002*0	18	A10,5 DIN 6798 [////]
222	9.1113.0120*0	12	M10x30 DIN 933-8.8
223	4.1019.0392.0	2	
224	4.1019.0189.0	2	
225	9.1113.0032*3	6	M10x40 DIN 933-8.8

REF.	ONDERDEELNR. PART NUMBER REFERENCE TEILNUMMER	AANTAL QUANTITY QUANTITE ANZAHL	
------	--	--	--

226	4.1019.0188.0	-	[D+D]
227	4.1021.0461.0	1	[R]
	4.1021.0451.0	1	[L][x]
228	4.1021.1499.0	2	
229	4.1016.1488.0	2	
230	9.1113.0018*3	6	M8x45 DIN 931-8.8
231	1.1633.1496.0	2	
232	4.1016.1485.0	2	
233	4.1016.1289.0	2	
234	9.1113.0125*5	10	M12x35 DIN 933-8.8
235	9.1030.0013*4	10	M12 DIN 985-8
236	9.1029.0008*0	2	M12 DIN 934-8
251	9.1170.0204.6	2	"LELY"
252	9.1170.0052.1	2	"LET OP DRAAIENDE DELEN"

LELY

LOTUS	type number type number numéro de type Typnummer	vanaf serienummer as from serial number après numéro de serie ab Seriennummer
520 STABILO	4.1021.0010.1	967 - 0501
520 STABILO	4.1021.0011.1	1000 - 0501



B016-05-01

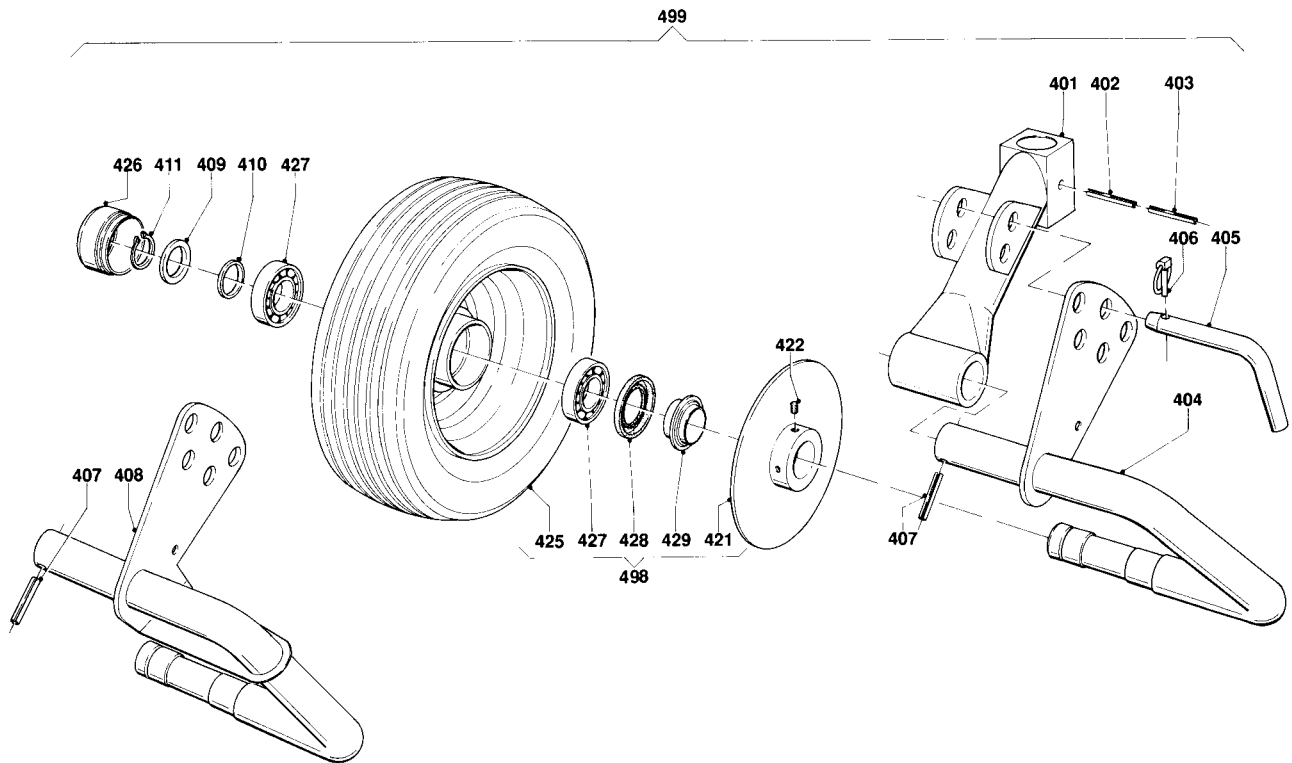
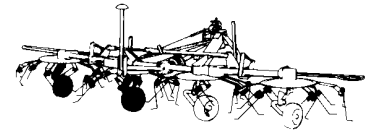
REF.	ONDERDEELNR. PART NUMBER REFERENCE TEILNUMMER	AANTAL QUANTITY QUANTITE ANZAHL	
------	--	--	--

301	4.1021.0340.0	1	(301= 301*+302
*	4.1016.0518.0	(1)	(d=Ø25, D=Ø40/50)[A+A][x]
302	9.1150.0005.2	(1)	3/8"
303	4.1016.2120.0	-	L= 3050 mm
304	9.1137.0401.5	1	Ø14x20x1,5 Cu [—]
305	9.1137.0603.4	1	1/2" - 1/4"
306	9.1137.0402.6	1	Ø22x29x1,5 Cu [—]
307	9.1137.0302.4	1	1/2" G
308	9.1137.0303.5	1	1/2" PVC
316	9.1070.0018*4	3	Ø6x40 DIN 1481
317	4.1011.2047.0	1	
318	4.1021.0360.0	1	
319	4.1201.1462.0	1	Ø6x4m (1m= 9.1163.0004.2)
320	9.1070.0023*2	1	Ø8x50 DIN 1481

REF.	ONDERDEELNR. PART NUMBER REFERENCE TEILNUMMER	AANTAL QUANTITY QUANTITE ANZAHL	
------	--	--	--



LOTUS	type nummer type number numéro de type Typnummer	vanaf serienummer as from serial number après numéro de serie ab Seriennummer
520 STABILO	4.1021.0010.1	949 - 0501



B036-02-00

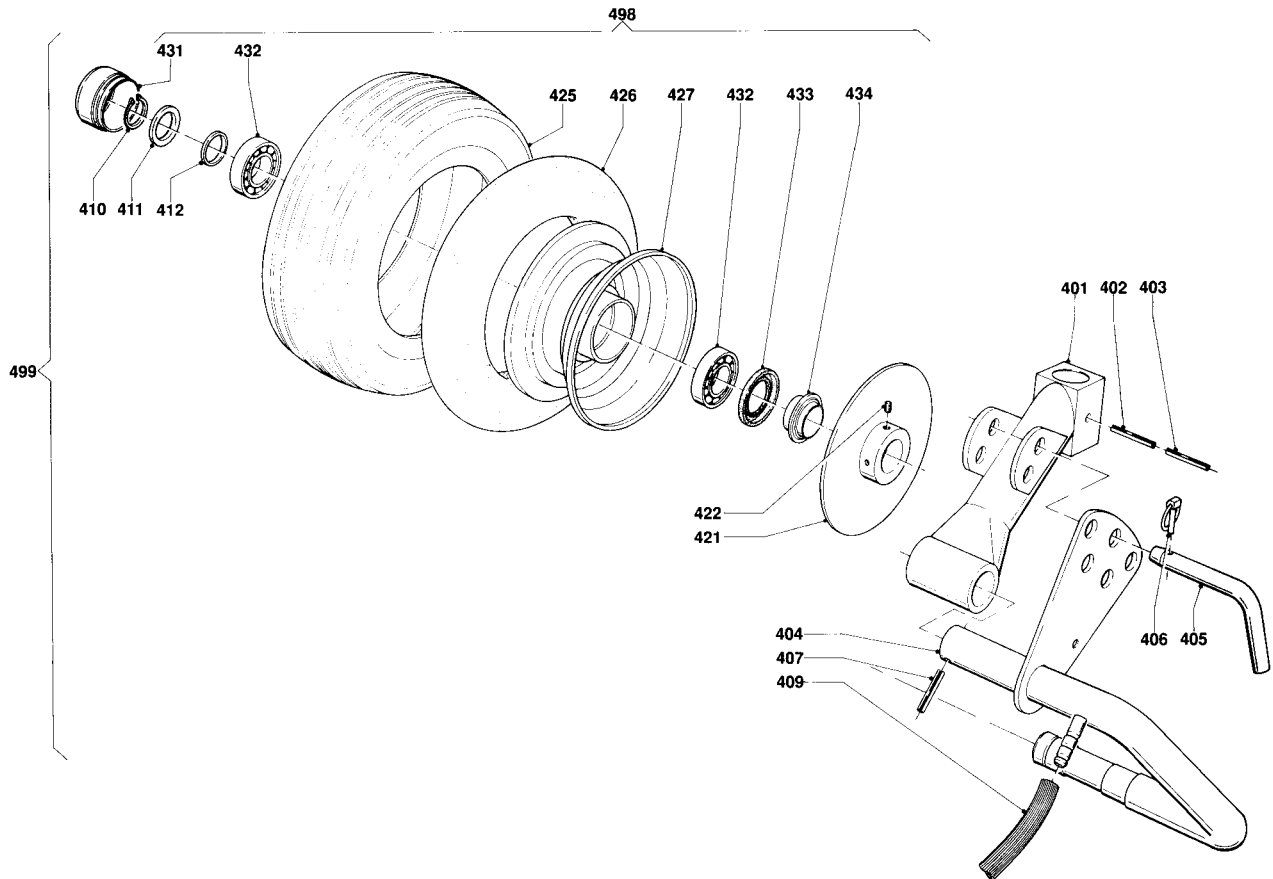
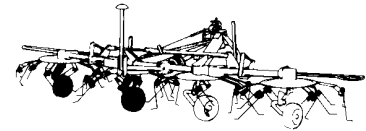
REF.	ONDERDEELNR. PART NUMBER REFERENCE TEILNUMMER	AANTAL QUANTITY QUANTITE ANZAHL	
401	4.1019.0120.0	4	
402	9.1070.0057*1	4	Ø10x55 DIN 1481
403	9.1070.0056*0	4	Ø6x55 DIN 1481
404	4.1019.0130.0	2	[L]
	4.1019.0140.0	2	[R][x]
405	4.1003.0142.0	4	
406	9.1123.0003*6	4	6x6
407	9.1070.0039*4	4	Ø10x50 DIN 1481
409	9.1052.0007*4	4	S25x35x2 DIN 988
410	4.1011.0066.0	4	
411	9.1119.0022.1	4	25x2-06 DIN 471
421	4.1019.2000.0	(4)	(421= 421+422)
422	9.1063.0008.1	-	M10x8 DIN 916-45H
425	9.1175.0016.2	1x	b= 160 mm
	9.1102.0020.2	-	4,50x6
	9.1111.0015.2	-	15x6.00-6 TR13
	9.1110.0019.0	-	15x6.00-6
426	9.1041.0104.0	1x	Ø52x32
427	9.1001.0035.6	2x	6205 RS
428	9.1106.0014.6	1x	
429	9.1106.0015.0	1x	

[x]

REF.	ONDERDEELNR. PART NUMBER REFERENCE TEILNUMMER	AANTAL QUANTITY QUANTITE ANZAHL	
498	4.1016.2020.0	(4)	= REF. 421-429
499	4.1021.0470.0	4	= REF. 401-429      b= 160



LOTUS	type nummer type number numéro de type Typnummer	vanaf serienummer as from serial number après numéro de serie ab Seriennummer
520 STABILO	4.1021.0010.1	967 - 0501
520 STABILO	4.1021.0011.1	1000 - 0501



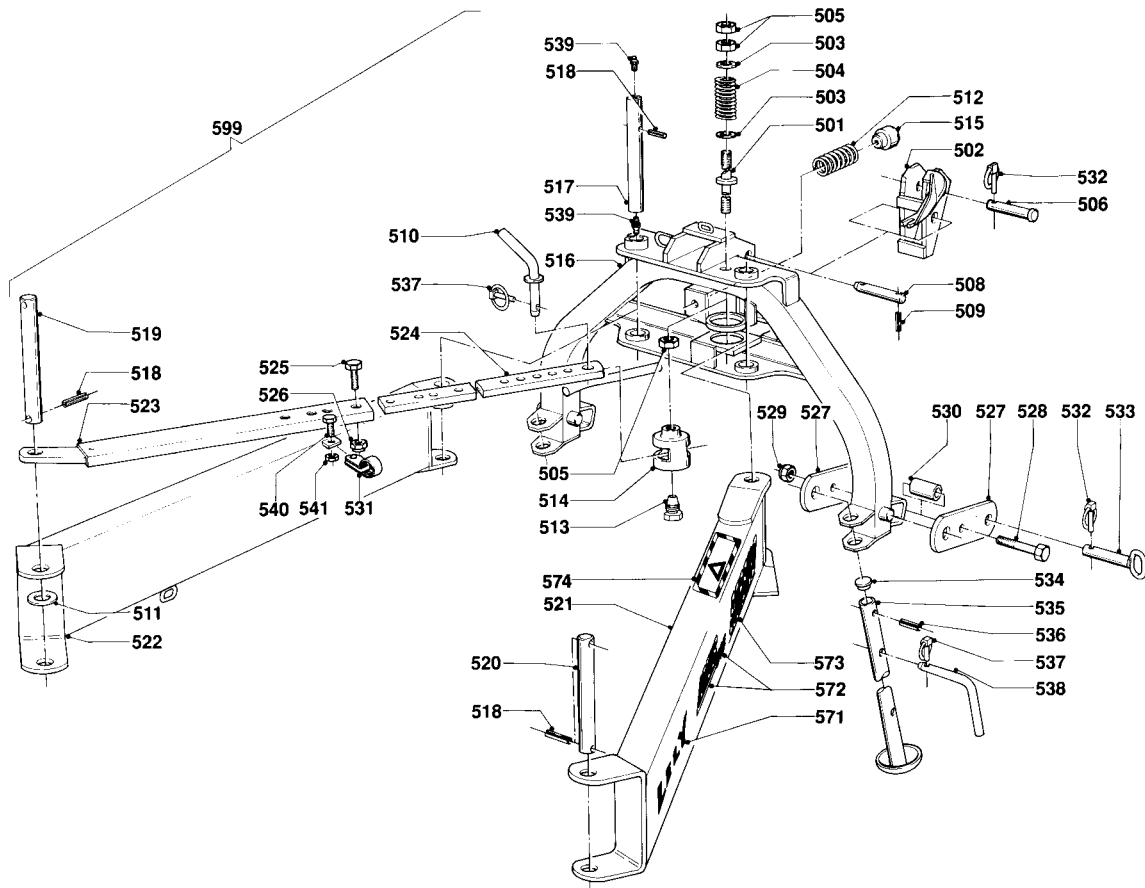
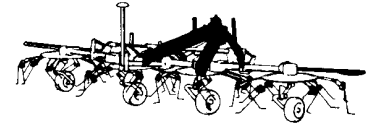
B036-03-11

REF.	ONDERDEELNR. PART NUMBER REFERENCE TEILNUMMER	AANTAL QUANTITY QUANTITE ANZAHL	
401	4.1019.0120.0	4	
402	9.1070.0057*1	4	Ø10x55 DIN 1481
403	9.1070.0056*0	4	Ø6x55 DIN 1481
404	4.1019.0131.0	2	[R]
	4.1019.0141.0	2	[L][x]
405	4.1003.0142.0	4	
406	9.1123.0003*6	4	6x6
407	9.1070.0039*4	4	Ø10x50 DIN 1481
409	4.1021.0479.0	4	
410	9.1119.0022.1	4	25x2-06 DIN 471
411	9.1052.0007*4	4	S25x35x2 DIN 988
412	4.1011.0066.0	4	
421	4.1019.2000.0	(4)	(421= 421+422)
422	9.1063.0008.1	-	M10x8 DIN 916-45H
425	9.1110.0019.0	1x	15x6.00-6 Ø370 b= 160 mm
426	9.1111.0015.2	1x	15x6.00-6
427	9.1102.0020.2	1x	4,50x6
431	9.1041.0104.0	1x	Ø52x32
432	9.1001.0035.6	2x	6205 RS
433	9.1106.0014.6	1x	
434	9.1106.0015.0	1x	

REF.	ONDERDEELNR. PART NUMBER REFERENCE TEILNUMMER	AANTAL QUANTITY QUANTITE ANZAHL	
498	4.1016.2030.0	(4)	= REF. 425-434
499	4.1021.0470.0	1	= REF. 401-434 (= 4x)

LELY

LOTUS	type nummer type number número de type Typnummer	vanaf serienummer as from serial number après numéro de serie ab Seriennummer
520 STABILO	4.1021.0010.1	967 - 0501
520 STABILO	4.1021.0011.1	1000 - 0501



B037-06-00

REF.	ONDERDEELNR. PART NUMBER REFERENCE TEILNUMMER	AANTAL QUANTITY QUANTITE ANZAHL
------	--	--

501	4.1016.0890.0	1
502	4.1016.0951.0	1
503	9.1048.0019*6	2
504	9.1090.0017*4	1
505	9.1029.0016*1	3
506	9.1088.0005*1	1
508	4.1016.1483.0	1
509	9.1070.0021*0	2
510	4.1016.0990.0	1
511	9.1048.0044*3	-
512	4.1016.0926.0	1
513	4.1016.0927.0	1
514	4.1016.0928.0	1
515	4.1016.0929.0	1
516	4.1016.0860.0	1
517	4.1016.0812.0	2
518	9.1070.0039*4	6
519	4.1016.0815.0	1
520	4.1016.0816.0	1
521	4.1016.0850.0	1
522	4.1016.0840.0	1
523	4.1016.0931.0	1
524	4.1016.0813.0	1
525	9.1113.0121*1	2
526	9.1030.0014*5	2

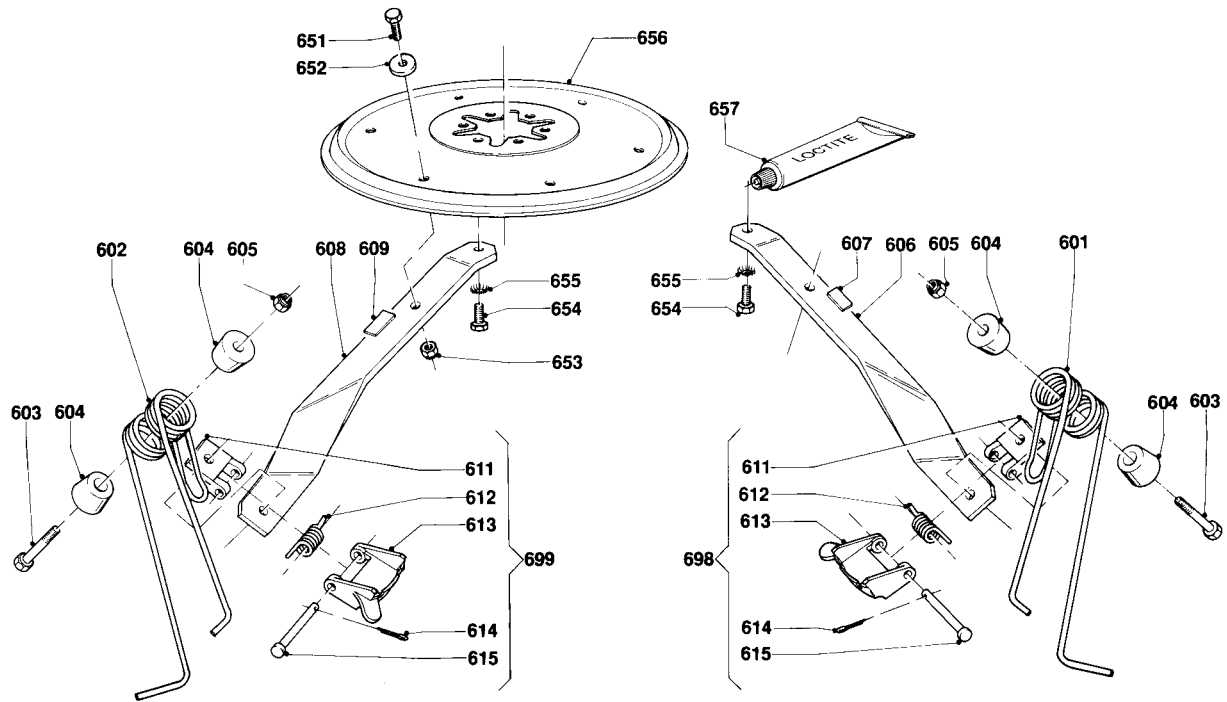
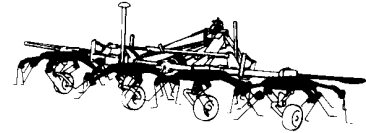
REF.	ONDERDEELNR. PART NUMBER REFERENCE TEILNUMMER	AANTAL QUANTITY QUANTITE ANZAHL
------	--	--

527	4.1025.0819.0	4
528	9.1113.0097*5	2
529	9.1030.0017*1	2
530	4.1016.0818.0	2
531	9.1137.0902.2	1
532	9.1123.0002*5	3
533	1.1804.0310.0	2
534	9.1108.0021.4	2
535	4.1017.0141.0	2
536	9.1070.0023*2	2
537	9.1123.0003*6	3
538	4.1016.0298.0	2
539	9.1068.0007*2	4
540	9.1113.0127*0	1
541	9.1030.0011*2	1
571	9.1170.0200.2	2
572	9.1170.0172.2	2
573	9.1170.0191.0	2
574	9.1170.0052.1	2
599	4.1016.0810.0	1

= REF. 501-574

LELY

LOTUS	type number type number numéro de type Typnummer	vanaf serienummer as from serial number après numéro de serie ab Seriennummer
520 STABILO	4.1021.0010.1	949 - 0501
520 STABILO	4.1021.0011.1	1000 - 0501



B038-04-00

REF.	ONDERDEELNR. PART NUMBER REFERENCE TEILNUMMER	AANTAL QUANTITY QUANTITE ANZAHL	
------	--	--	--

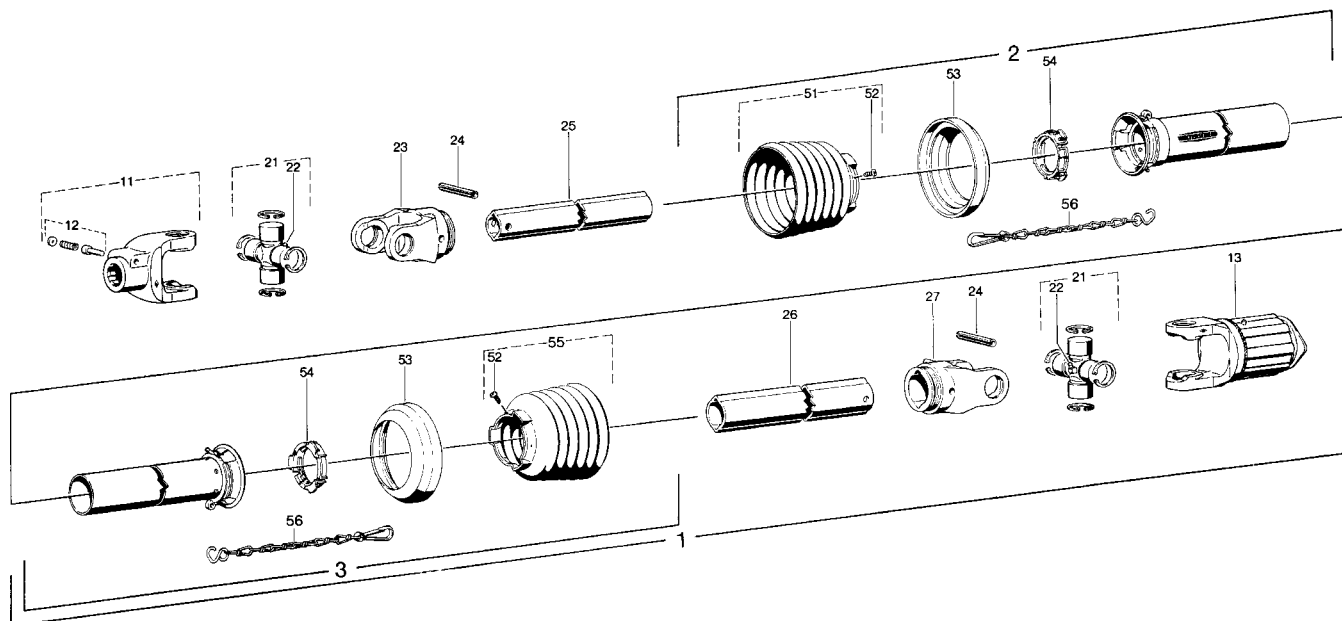
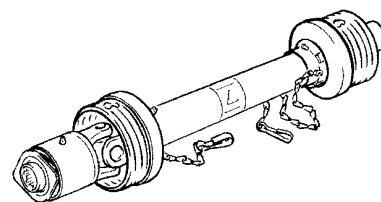
601	4.1017.0126.0	12	[R]+[LD]
602	4.1017.0138.0	12	[L]+[RD]
603	9.1113.0136*2	24	M12x100 DIN 931-8.8
604	4.1015.0055.0	48	
605	9.1030.0013*4	24	M12 DIN 985-8
606	4.1021.0089.0	12	
607	9.1170.0085.6	2	20x45 Blauw-Blue
608	4.1021.0099.0	12	
609	9.1170.0084.5	2	20x45 Geel-Yellow
611	4.1015.0056.0	24	Cpl.= 698/699
612	4.1015.0054.0	24	
613	4.1015.0057.0	24	
614	9.1072.0001*6	24	3x15 DIN 94
615	9.1115.0101*0	24	

REF.	ONDERDEELNR. PART NUMBER REFERENCE TEILNUMMER	AANTAL QUANTITY QUANTITE ANZAHL	
------	--	--	--

651	9.1113.0050*0	24	M12x30 DIN 933-8.8
652	9.1048.0041*0	24	A13 DIN 9021 [ ]
653	9.1030.0013*4	24	M12 DIN 985-8
654	9.1113.0049*6	24	M12x25 DIN 933-8.8
655	9.1051.0003*1	24	A12,5 DIN 6798 [////]
656	4.1019.0191.0	4	
657	9.1126.0001.1	2	Loctite 242 3ml.
698	4.1016.0151.2	-	= REF. 611-615 [R]+[LD]
699	4.1016.0141.2	-	= REF. 611-615 [L]+[RD]

LELY

LOTUS	type number type number numéro de type Typnummer	vanaf serienummer as from serial number après numéro de serie ab Seriennummer
520 STABILO	4.1021.0010.1	949 - 0501
520 STABILO	4.1021.0011.1	1000 - 0501



Bw005-04-00

REF.	ONDERDEELNR. PART NUMBER REFERENCE TEILNUMMER	AANTAL QUANTITY QUANTITE ANZAHL	
------	--	--	--

1	9.1154.0129.3	1	W2300-SD15-1210-K33B = REF. 2-56
2	85.105	1	SDH15-A1020 mm
3	85.104	1	SDH15-J1020 mm
11	21.10.00	1	1.3/8" (6)
12	33.91.07	1	AGRASET 101
13	55.202.03	1	1.3/8" (6)
21	21.00.00	2	
22	63.27.00	2	M8x1
23	21.11.00	1	RG2300-Ov
24	61.05.04	2	Ø10x65 DIN 1481
25	75.11.16	1	Ov-1080 mm
26	75.15.16	1	1-1075 mm
27	21.12.00	1	RG2300-1
51	85.15.05	1	
52	60.15.00	2	4x10
53	82.85.00	2	
54	82.83.06	2	
55	85.15.07	1	
56	82.36.03	2	

REF.	ONDERDEELNR. PART NUMBER REFERENCE TEILNUMMER	AANTAL QUANTITY QUANTITE ANZAHL	
------	--	--	--